

NOSTALGIE SERIES/UPDN100FDM
40" DUAL FUEL RANGE



The Nostalgie immediately states its vocation as a range designed and crafted for the most demanding chef without alienating casual cooks with it's user-friendly functions.

Fuel Type..... **Dual Fuel**
 Gas Type..... **Liquid Propane or Natural Gas**

OVEN COLORS



TRIM*

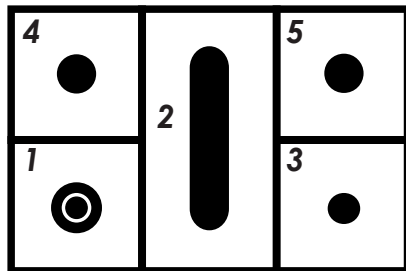


**Trim colors are available for every oven color.*

FEATURES

Cooktop

Cooktop surface.....	Deep Recessed
Number of Burners/Elements.....	5
Gas Heat Configuration.....	Sealed Burners
Burner/ Element Fuel.....	Gas
Grate Type.....	Cast Iron
Cooktop Control Type.....	Knobs
Cooktop Control Location.....	Front
Burner Output No. 1.....	15,500 BTU/ Double Burner
Burner Output No. 2.....	10,500 BTU/ Fish Burner
Burner Output No. 3.....	7,000 BTU/ Small Burner
Burner Output No. 4.....	10,500 BTU/ Large Burner
Burner Output No. 5.....	10,500 BTU/ Large Burner



Oven

Oven Fuel.....	Electric
Oven Door Type.....	Triple-Layer Glass Door
Oven Type.....	Convection
Oven Cleaning Type.....	Self-Clean Mode*
Oven Control Type.....	Knobs
Oven Control Place.....	Front
Oven Light(s) in Main Oven.....	1
Oven Light(s) in Second Oven.....	1
Oven Light Type.....	LED
Number of Rack Placements.....	5
Soft Close Door.....	No
Display.....	LED
Broiler.....	Electric
Child Safety Lock.....	No
Timer.....	Yes

**Protective Panel is required (sold separately)*

INCLUDED

Range Hood.....	No	Oven Racks (Main Oven).....	2
Power Cord.....	Yes	Oven Racks (Second Oven).....	1
Grate.....	Yes	Oven Trays (Main Oven).....	1
Griddle.....	Yes	Oven Trays (Second Oven).....	1
Legs.....	4	Rotisserie (Main Oven).....	0
Backsplash.....	1	Rotisserie (Second Oven).....	1
Conversion Kit.....	Yes	Gas Regulator.....	1
		Manual.....	Yes

POWER

Voltage.....	220 v
Amperage.....	40 amps
Hertz.....	60 (Hz)
Power Cord Length.....	45 11/16" / 116 cm
Power Cord Type.....	Hard wire

RECOMMENDED ACCESSORIES

Toe Kick.....	APZ100140*	Chopping Board.....	A48401
Solid Leg (Chrome).....	G4221208	Steam Cooker Basins.....	G00202
(Brass).....	G4221216	BBQ Grill.....	G41903
(Bronze).....	G4221218	Bain-Marie.....	G00201
Wok Ring.....	A09234		

MISCELLANEOUS

Warranty Length.....	2 years
Warranty Type.....	Limited
Actual Weight.....	273 lbs / 123 kg
Product Material.....	Stainless Steel

**All colors are available.*

DIMENSIONS

RANGE

Range Width.....	39 6/16" / 100 cm
Range Height without legs.....	27 15/16" / 71 cm
Range Min. Height with legs.....	34 1/16" / 86.5 cm
Range Max Height with legs.....	38" / 96.5 cm
Range Depth.....	21 10/16" / 55 cm
Backsplash Width.....	39 6/16" / 100 cm
Backsplash Height.....	2 6/16" / 6 cm
Backsplash Depth.....	9/16" / 1.5 cm
Backsplash Lip.....	3/16" / 0.5 cm
Top Handle Length.....	33 11/16" / 85.5 cm
Main Oven Handle Length.....	20 14/16" / 53 cm
Second Oven Handle Length.....	16 2/16" / 41 cm
Top Oven Handle Depth over Range.....	2 3/16" / 5.5 cm
Main Oven Handle Depth over Range.....	2 3/16" / 5.5 cm
Second Oven Handle Depth over Range.....	2 3/16" / 5.5 cm
Power from bottom.....	8 4/16" / 21 cm
Power from left side.....	22 1/16" / 56 cm
Gas connector from top.....	3 2/16" / 8 cm
Gas connector from right side.....	7 1/16" / 18 cm

COOKTOP

Cooktop Width.....	39 6/16" / 100 cm
Cooktop Depth.....	23 10/16" / 60 cm
Cooktop Height.....	1 9/16" / 4 cm
Cooktop Front Lip Depth over Range.....	9/16" / 1.5 cm
Cooktop Back Lip Depth over Range.....	1 6/16" / 3.5 cm

OVEN

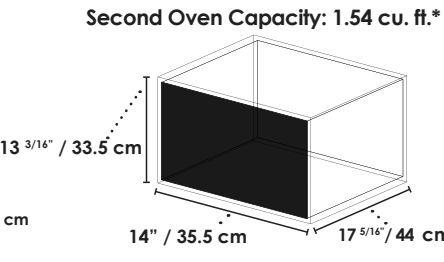
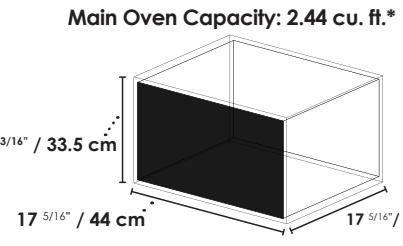
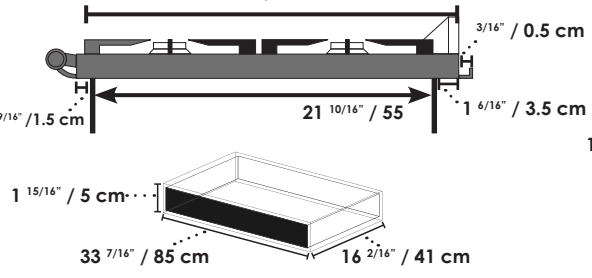
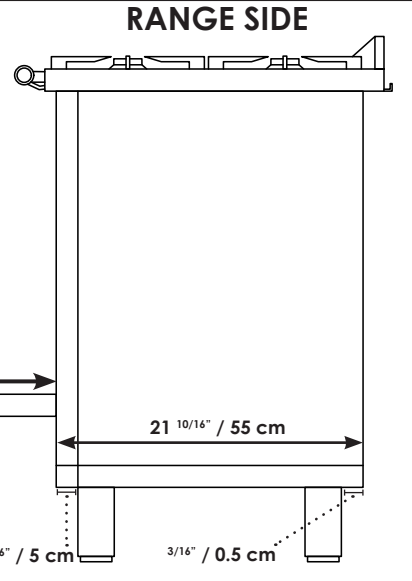
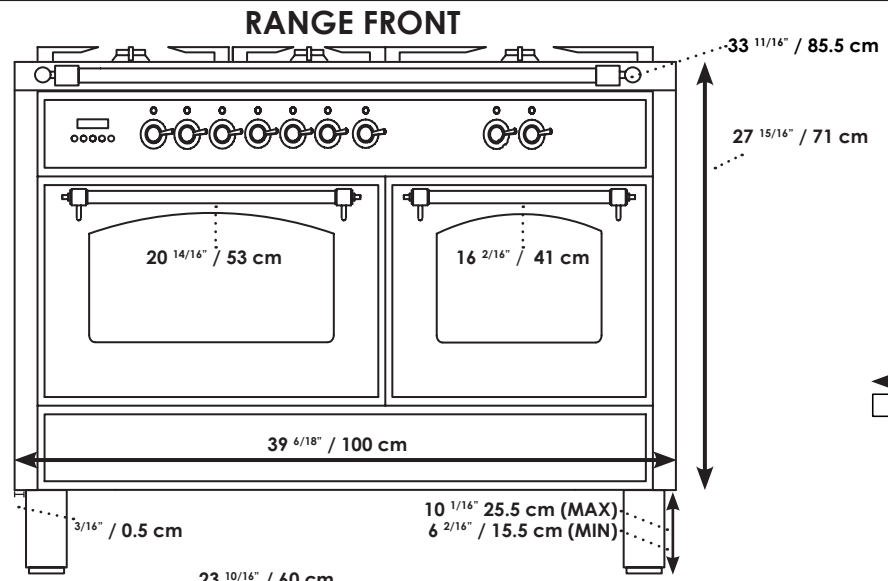
Main Oven Capacity.....	2.44 cu. ft.
Second Oven Capacity.....	1.54 cu. ft.
Main Oven Depth w/ Door Open 90°.....	15 6/16" / 39 cm
Second Oven Depth w/ Door Open 90°.....	15 6/16" / 39 cm
Main Oven Interior Width (Actual).....	17 5/16" / 44 cm
Main Oven Interior Height (Actual).....	13 3/16" / 33.5 cm
Main Oven Interior Depth (Actual).....	17 5/16" / 44 cm
Main Oven Interior Width (Usable).....	15 9/16" / 39.5 cm
Main Oven Interior Height (Usable).....	13 3/16" / 33.5 cm
Main Oven Interior Depth (Usable).....	17 5/16" / 44 cm
Second Oven Interior Width (Actual).....	14" / 35.5 cm
Second Oven Interior Height (Actual).....	13 3/16" / 33.5 cm
Second Oven Interior Depth (Actual).....	17 5/16" / 44 cm
Second Oven Interior Width (Usable).....	12" / 30.5 cm
Second Oven Interior Height (Usable).....	13 3/16" / 33.5 cm
Second Oven Interior Depth (Usable).....	17 5/16" / 44 cm
Height between Rack Plates.....	1 9/16" / 4 cm
Height btw. lowest and highest rack.....	7 14/16" / 20 cm

STORAGE

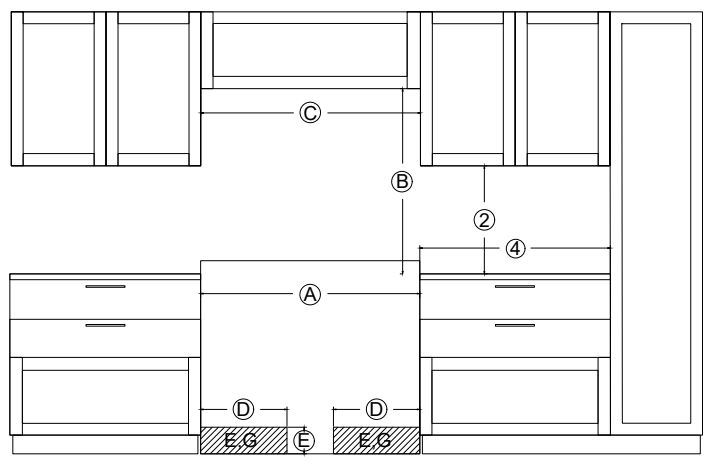
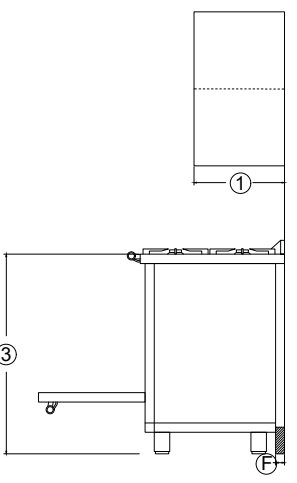
Type.....	Storage
Width.....	33 7/16" / 85 cm
Height.....	1 15/16" / 5 cm
Depth.....	16 2/16" / 41 cm

LEGS

Range Leg Type.....	Cylinder
Range Leg Number.....	4
Adjustable Range Legs.....	Yes
Levelable Range Legs.....	Yes
Range Leg Min. Height.....	6 2/16" / 15.5 cm
Range Leg Max. Height.....	10 1/16" / 25.5 cm
Space between Leg & Range (Side).....	3/16" / 0.5 cm
Space between Leg & Range (Front).....	1 15/16" / 5 cm
Space between Leg & Range (Back).....	3/16" / 0.5 cm



*Usable space differs from Actual space due to the rack placements and rotisserie.
*Oven Capacity's cubic feet is manufacturer's measurement prior to installation of broiler, oven racks, and convection fan.



THE SHADED AREA REPRESENTS THE INSTALLATION AREA FOR THE CONNECTIONS:
E ; ELECTRIC CONNECTION
G ; GAS

	DIMENSIONS	DESCRIPTION
1	13" (330 mm)	Maximum depth of top cabinet
2	18" (547 mm)	Minimum distance to bottom edge of top cabinet
3	35 1/2"-37" (901-940 mm)	Distance from the floor to cooktop surface
4	12"	Minimum distance from cooktop surface
A	39 6/16" (100 cm)	Width of cabinet opening
B	30" (762mm)	Minimum distance between the top of the cooking area and bottom of an unprotected combustible surface
C	39 6/16" (100 cm)	Width of the hood area
D	Approx. 10 13/16" (274 mm)	Maximum connection with right and left
E	Approx. 4 1/2" (115mm)	Maximum connection height
F	Approx. 2 13/16" (72mm)	Maximum connection depth