

# USER GUIDE & SERVICE MANUAL



 U-LINE

Model: URNP115-IS01A

# USER GUIDE & SERVICE MANUAL

---

**[Click on any section below to jump directly there](#)**

## Table of Contents

### Installation

[Integrated Panel Dimensions](#)

[Integrated Panel Installation](#)

## **WELCOME TO U-LINE**

Congratulations on your U-Line purchase! Our products are focused on functionality, style, and inspired innovations — paying close attention to even the smallest details. Applications include residential, outdoor, ADA height compliant, marine, and commercial. Product categories include Beverage Centers, Wine Refrigerators, Ice Machines, Refrigerators, Freezers, and Dispensers. Our advanced refrigeration systems, large and flexible capacities, and clean integrated look are what makes our products Built-In to Stand Out®. Since 2014, U-Line has been part of the Middleby family of brands.

## **U-Line — RIGHT PRODUCT. RIGHT PLACE. RIGHT TEMPERATURE.®**

## **PRODUCT INFORMATION**

Looking for additional information on your product? User Guides, Spec Sheets, CAD Drawings, and Product Warranty information are available digitally on u-line.com.

## **PROPERTY DAMAGE / INJURY CONCERNS**

In the unlikely event property damage or personal injury is suspected related to a U-Line product, please take the following steps:

1. U-Line Customer Care must be contacted immediately at +1.414.354.0300.
2. Service or repairs performed on the unit without prior written approval from U-Line is not permitted. If the unit has been altered or repaired in the field without prior written approval from U-Line, claims will not be eligible.

## **GENERAL INQUIRIES**

U-Line Corporation  
8900 N. 55th Street  
Milwaukee, Wisconsin 53223 USA  
Monday - Friday 8:00 am to 4:30 pm CST  
T: +1.414.354.0300  
Email: sales@u-line.com  
u-line.com

## **SERVICE & PARTS ASSISTANCE**

Monday - Friday 8:00 am to 4:30 pm CST  
T: +1.414.354.0300  
Service Email: onlineservice@u-line.com  
Parts Email: onlineparts@u-line.com

## **CONNECT WITH US AT MIDDLEBY REFRIGERATION**

## Integrated Panel Dimensions

### INTEGRATED PANEL

#### NOTICE

**Due to differences in surrounding cabinetry, the panel may not perfectly align with door. The procedure below is designed to prepare a finished integrated panel that seamlessly integrates with surrounding cabinetry.**

**The door panel must not weigh more than 20 lbs (10 kg).**

**It is important to ensure that all drilled holes are drilled to the correct depth in order to avoid splits in the wood when hardware is installed.**

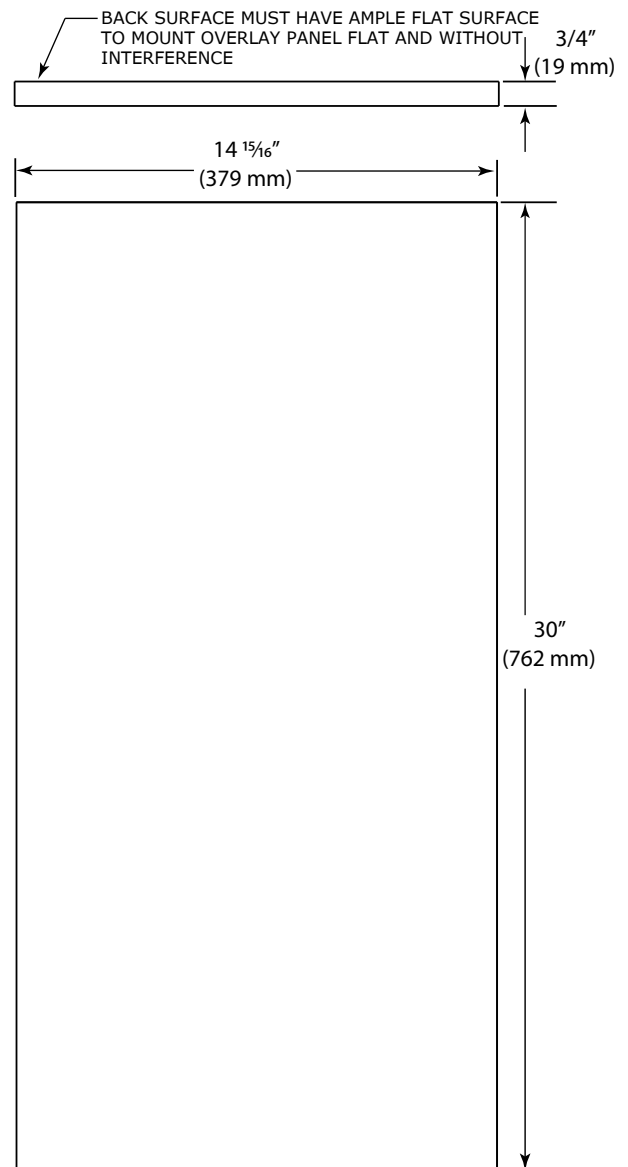
**When applying an integrated panel to a unit ensure that both sides are finished in order to prevent warping.**

A full integrated door panel completely covers the door frame and provides a built-in appearance.

### Integrated Panel Preparation

1. Cut the panels to the dimensions listed in the diagram below. For optimal results, have a qualified carpenter verify all measurements.
2. Optional: Stain or Finish panel to desired stain or color. Be sure to closely follow the instructions provided by the manufacturer.
3. Optional: Install handles and hardware.

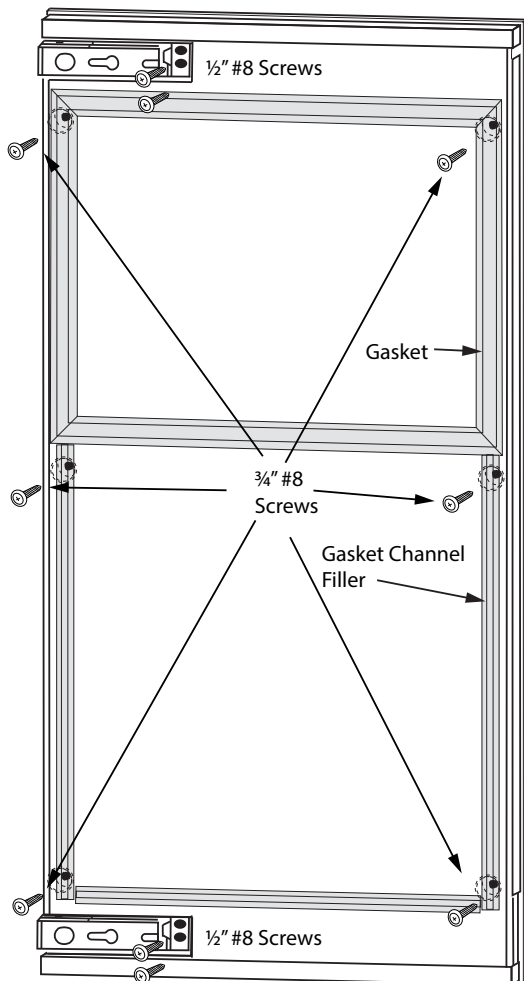
### Integrated Panel Dimensions



## Integrated Panel Installation

### PREPARE INTEGRATED PANEL

1. Remove door from unit  
(See To Reverse the Door Swing)
2. On a flat surface, line up the door to the integrated door panel and clamp.
3. Remove gasket and gasket channel filler to expose side holes.
4. Install 10 screws to secure door to panel.
  - 6 - 3/4" #8 Pan Head Screws
  - 4 - 1/2" #8 Pan Head Screws



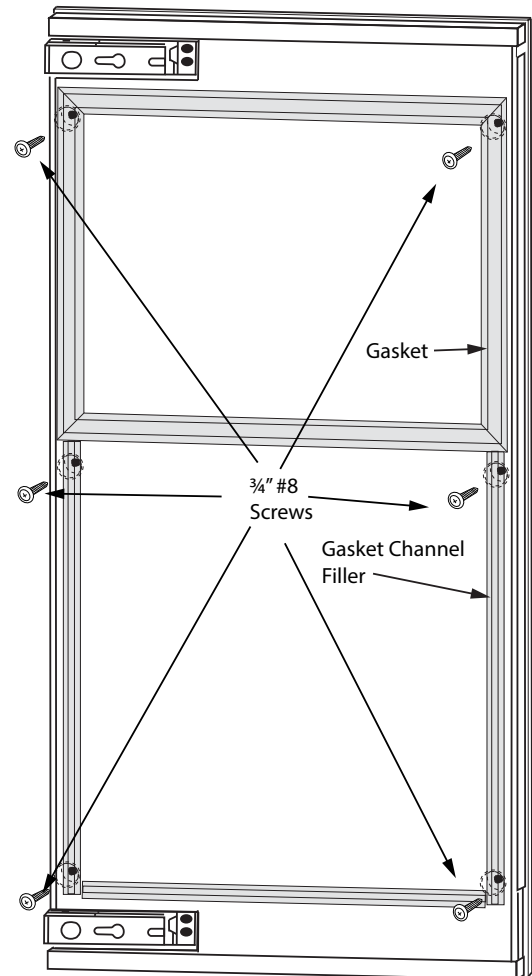
5. Reinstall gasket channel filler.
6. Remove clamps.
7. Reinstall door to unit.

(See To Reverse the Door Swing)

## Stainless Panel Installation

Stainless Steel panel is an accessory that is sold separately. Please Visit [U-Line.com](http://U-Line.com) for details.

1. Remove gasket and gasket channel filler to expose side holes.
2. Line up holes in door with holes in stainless steel panel.



3. Install 6 - 3/4" #8 screws to secure panel to door.
4. Reinstall gasket and gasket channel filler.