

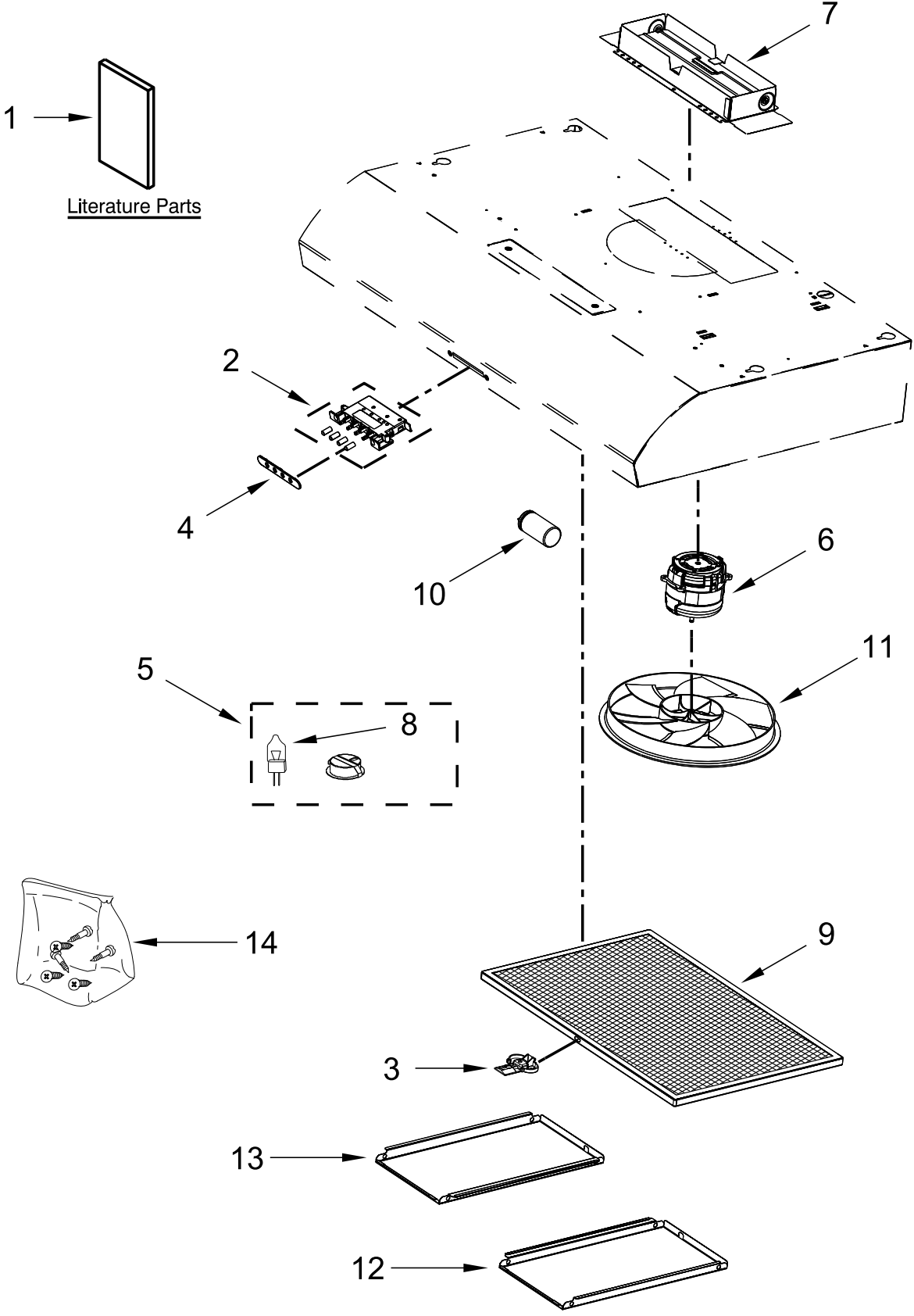
## **HOOD AND VENTILATION SYSTEMS**

### **MODELS:**

UXT5230BDS2 (Stainless)

UXT5236BDS2 (Stainless)

# HOOD PARTS



# HOOD PARTS

<u>Illus. No.</u>	<u>Part No.</u>	<u>Description</u>
1	W10646405	Use and Care Guide
2	W10419516	Control, Buttons
3	W10416841	Latch, Filter
4	W10416838	Cover, Buttons
5	W10638164	Assembly, Light
6	W10416839	Motor
7	W11512452	Damper
8	W10571723	Bulb, Halogen 40 Watts

<u>Illus. No.</u>	<u>Part No.</u>	<u>Description</u>
9	W11176974	Filter, Grease
10	W10862083	Capacitor
11	W10416840	Fan
12		Side Panel, Right
	W10416843	Stainless 30" Model
	W10419535	Stainless 36" Model

<u>Illus. No.</u>	<u>Part No.</u>	<u>Description</u>
13		Side Panel, Left
	W10416844	Stainless 30" Model
	W10419532	Stainless 36" Model
14	W11176975	Hardware, Installation