



24"W. 724 MODEL DISHWASHER

Viking 7 Series – VDWU724 / FDWU724

CORNERCLEAN™ WASH TECHNOLOGY

- Bottom wash arm rotates on a movable axis, allowing water jets to reach every corner of the dishwasher
- Uses less water and energy than standard wash arms
- Variable pressure wash adjusts water volume, pressure, and temperature according to load size and soil levels
- OdorEliminator™ Ionizer removes odors inside dishwasher without using planet or people-harming chemicals
- Turbidity sensor monitors the soil level of dishes for superior quality
- TriClean™ Triple filtration system removes the smallest particles for clean water circulation
- Flow-through water heater is concealed to provide a safer alternative to exposed heaters

TURBO FAN DRY

- Fan circulates air for efficient drying performance
- OpenAir™ Drying Function automatically opens door during end of cycle to naturally dry dishes

BEST IN CLASS QUIET CLEAN™ PERFORMANCE PACKAGE - 39DB

- Three layers of insulation – bitumen, cotton, and full side walls create one of the quietest dishwashers on the market
- Brushless discharge pump and circulation motor

LOADING

- Industry-leading heavy gauge top and bottom dish baskets hold even the heaviest dishes
- Full-width cutlery rack is designed to allow cleaning of cutlery while washing tall items simultaneously in upper rack
- Holds up to 16 international place settings along with silverware and cutlery
- Top rack is 3-position adjustable with or without dishes for versatile loading
- Telescopic rail provides smooth motion for upper basket
- Adjustable stemware shelves can be used for holding ladles or other small utensils
- Foldable tines provide versatility for the loading of pots, pans, and uniquely sized items in top and bottom racks
- Bottom rack has eight and top rack has six split foldable tines with variable setting from flat to vertical
- Sliding cutlery basket can be moved horizontally to any position
- Interior LED lighting brightly illuminates interior for easy loading

FEATURES

- LED screen with remaining time indicator
- Touch button direct access control



- Blue cycle indicator light on floor
- Energy Star Qualified as Most Efficient 2022

CYCLES/OPTIONS

- Cycles
 - Pots/Pans Plus – Extra-heavy soil level
 - GlassCare
 - Auto – determines the amount of water and temperature needed
 - CombiClean – washes delicate items in upper basket and heavier soiled items in lower basket
 - Regular Wash – Normal soil level
 - HourWash
 - Quick Wash – 35 Minutes!
 - Rinse/Hold – Pre-rinse dishes clean
- Options
 - Express Function – Sensor detects rinse aid and automatically sets drying cycle duration
 - Sanitize Function – Raises water temperature in final rinse to meet NSF requirements
 - High Gloss – Provides superior drying performance
 - Half Load – Efficiently washes loads when dishwasher is not completely full
 - Delay Start – Allows delayed activation for up to 24 hours

MODELS

- VDWU724SS - 24"W. Dishwasher
- FDWU724 - 24"W. Custom Panel Dishwasher

ACCESSORIES

- PDDP524 Viking door panel - for use with FDWU models in exclusive color finishes
- PHK23 – Professional Handle Kit - for use with FDWU models

COLOR FINISHES

- Available with wrapped Stainless-Steel Door Panel installed
- Available in 14 exclusive color finishes: Alluvial Blue (AB), Arctic Gray (AG), Black Forest Green (BF), Bywater Blue (BW), Cast Black (CS), Cypress Green (CY), Damascus Gray (DG), Frost White, (FW) Kalamata Red (KA), Pacific Gray (PG), Reduction Red (RE), Slate Blue (SB), San Marzano Red (SM), Vanilla Cream (VC)



WARRANTY

- Two-year full – complete product
- Ninety-day full – cosmetic parts such as glass, painted items, and decorative items
- Lifetime limited – tank and inner door
- Five-year limited – electronic controls, racks, motor/pump assemblies and water distribution system

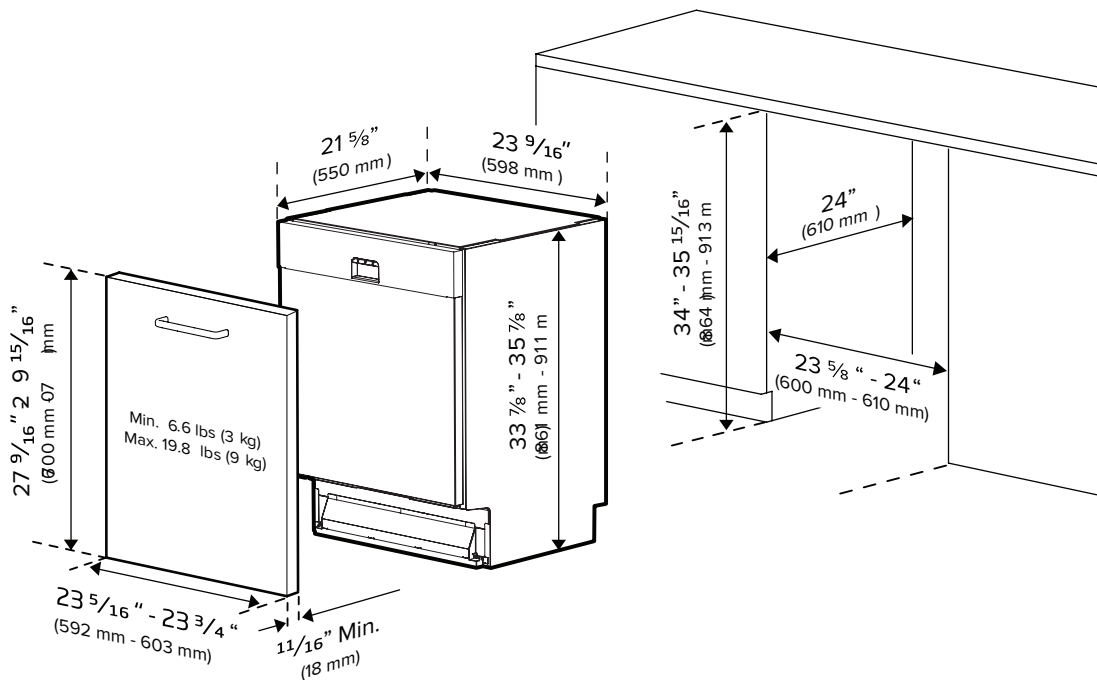


24"W. 724 MODEL DISHWASHER

Viking 7 Series – VDWU724 / FDWU724

24"W. DISHWASHER	
DESCRIPTION	VDWU724/FDWU724
Overall Width	23-9/16" (59.8 cm)
Overall Height from Floor	33-7/8" (86.0 cm) minimum to 35-7/8" (91.1 cm) maximum
Overall Depth	To front of door panel: 22-3/16" (56.4 cm) To front of handle: 25-3/16" (64 cm)
Cutout Width	24" (61.0 cm)
Cutout Height	34" (86.4 cm) minimum to 35-15/16" (91.3 cm) maximum
Cutout Depth	24" (61.0 cm)
Electrical Requirements	12.0 amps, 120V/60Hz; 4" (120cm) electrical cord with supplied with unit
Water-Heating Element Rating	1100 watts
Inlet Water Temperature	120°F (49°C) required
Drain Hose	6.4' (1.9m) drain hose provided
Drain Hose High Loop Required	Height from floor – 28" (71.0 cm)
Approximate Shipping Weight	102 lb. (46.2 kg)

Please do not prepare installation from brochure data only. See installation instructions for important clearance/installation information.



VIKING RANGE, LLC 111 FRONT STREET GREENWOOD, MISSISSIPPI 38930 USA

For detailed product information, model numbers, or to request a quote call 1-888-845-4641 or visit vikingrange.com

© 2023 Viking Range, LLC All rights reserved. Specifications subject to change without notice.