



## **Install Guide**

**5 Series Freestanding Electric & Induction Range**

VER5301(2)/CVER5301(2)

VIR5301(2) / CVIR5301(2)

VIR5362 / CVIR5362


# Table of Contents

Warnings & Important Safety Instructions _____	2
Specifications _____	4
Dimensions _____	5
Clearance Dimensions (Proximity to Cabinet) _____	6
Clearance Dimensions (Wood/Composite Overlay) _____	7
Electrical Requirements _____	8
General Information _____	9
Installation _____	10
Door Removal _____	10
Leg Installation _____	10
Electrical Connection (3-wire) _____	11
Electrical Connection (4-wire) _____	12
Leveling/Adjustments/Alignment _____	13
Anti-tip Device Installation _____	14
Wall Mount Anti-tip Installation _____	14
Floor Mount Anti-tip Installation _____	15
Final Installation _____	19
Door Replacement _____	16
Final Preparation _____	17
Service & Registration _____	17

- Before beginning, please read these instructions completely and carefully.

**Your safety and the safety of others is very important.**

We have provided many important safety messages in this manual and on your appliance. **ALWAYS** read and obey all safety messages.

This is the safety alert symbol. This  symbol alerts you to hazards that can kill or hurt you and others.

All safety messages will be preceded by the safety alert symbol and the word “DANGER,” “WARNING” or “CAUTION.” These words mean:


<b> DANGER</b>
<b>Hazards or unsafe practices which WILL result in severe personal injury or death</b>
<b> WARNING</b>
<b>Hazards or unsafe practices which COULD result in severe personal injury or death</b>
<b> CAUTION</b>
<b>Hazards or unsafe practices which COULD result in minor personal injury or property damage.</b>
All safety messages will identify the hazard, tell you how to reduce the chance of injury, and tell you what can happen if the instructions are not followed.

# IMPORTANT – Please Read and Follow!

- **DO NOT** remove permanently affixed labels, warnings, or plates from product. This may void the warranty.
- Please observe all local and national codes and ordinances.
- Please ensure that this product is properly grounded.
- The installer must leave these instructions with the consumer who should retain for local inspector’s use and for future reference.
- Installation must conform with local codes or, in the absence of codes, the National Electrical Code, ANSI/NFPA 70-latest edition.


**In Canada:** Electrical installation must be in accordance with the current CSA C22.1 Canadian Electrical Codes Part 1 and/or local codes.

**⚠ WARNING**



**BURN HAZARD**  
The use of cabinets for storage above the appliance may result in potential burn hazard. Combustible items may ignite, metallic items may become hot and cause burns. If a cabinet storage is to be provided the risk can be reduced by installing a range hood that projects horizontally a minimum of 5" (12.7 cm) beyond the bottom of the cabinets.

**⚠ WARNING**




**ELECTRICAL GROUNDING INSTRUCTIONS**  
To avoid risk of electrical shock, personal injury or death; verify your appliance has been properly grounded in accordance with local codes or in absence of codes, with the National Electrical Code (NEC). ANSI/NFPA-70 – latest edition.

**⚠ CAUTION**


To prevent possible damage to cabinets and cabinet finishes, use only materials and finishes that will not discolor or delaminate and will withstand temperatures up to 194°F (90°C). Heat resistant adhesive must be used if the product is to be installed in laminated cabinetry. Check with your builder or cabinet supplier to make sure that the materials meet these requirements.

**⚠ WARNING**



**MOVING HAZARD**  
To avoid risk of severe personal injury; this appliance requires two or more personnel while handling and moving. Possible use of appliance moving devices is recommended.

**⚠ WARNING**




The electrical power to the unit must be shut off while line connections are being made. Failure to do so could result in serious injury or death.

**⚠ WARNING**

**TIPPING HAZARD**


- THIS RANGE CAN TIP.
- A CHILD OR ADULT CAN TIP THE RANGE AND BE KILLED.
- FAILURE TO INSTALL THE ANTI-TIP DEVICE CAN RESULT IN DEATH OR SERIOUS BURNS TO CHILDREN OR ADULTS.
- IF THE RANGE IS MOVED THEN THE ANTI-TIP DEVICE MUST BE RE-ENGAGED.



**⚠ WARNING**

**TIPPING HAZARD**

To reduce the risk of the appliance tipping, it must be secured by a properly installed anti-tip bracket(s). To make sure the bracket has been installed properly, look behind the range with a flashlight to verify proper installation engaged in the rear top left corner of the range or under the range to verify that a floor hook and bracket have been installed.

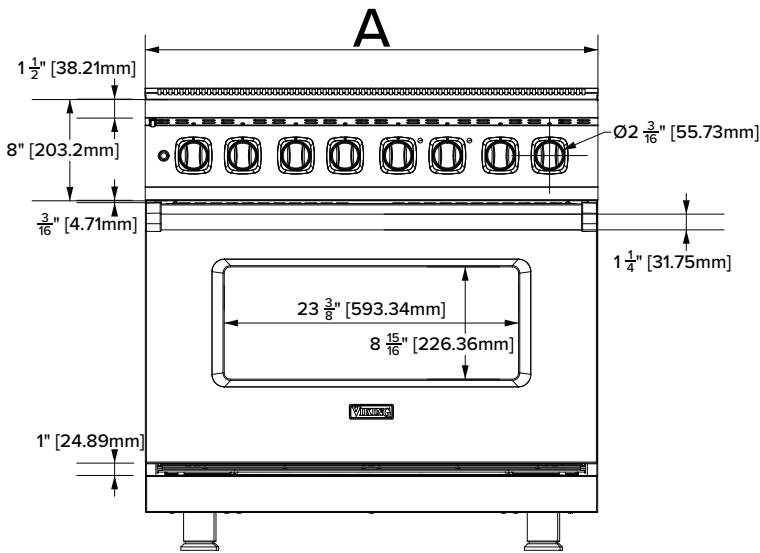
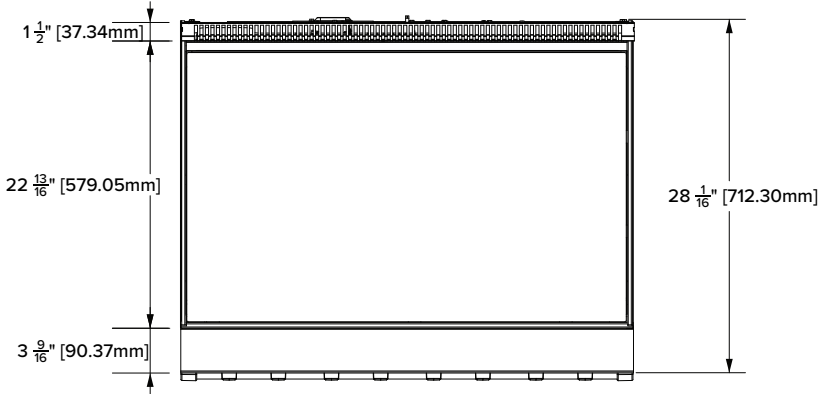


# Specifications

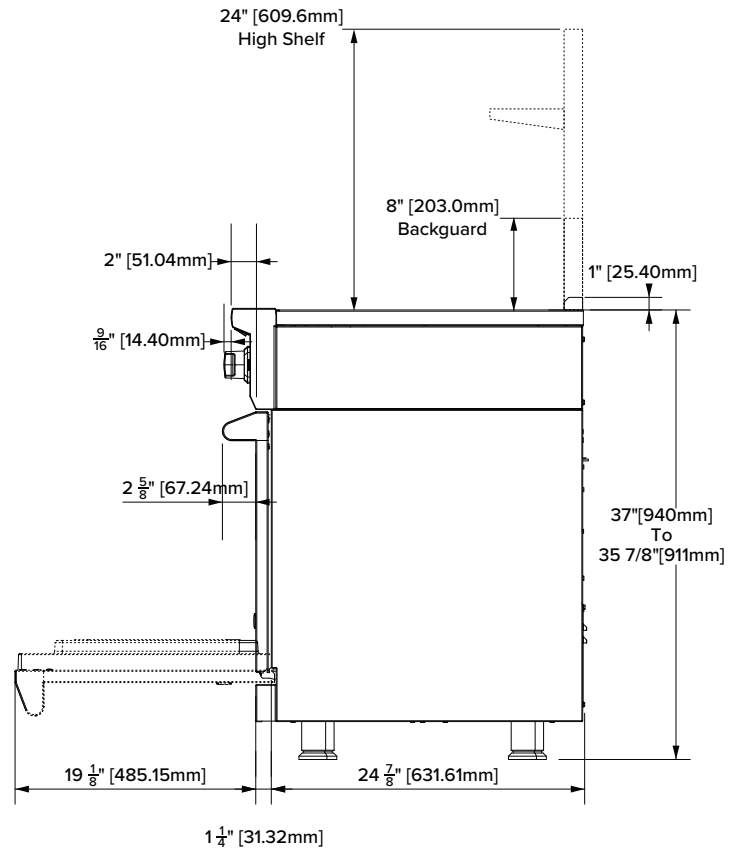
<b>VER Electric Range</b>	
<b>Description</b>	<b>30" W. - 76 cm Wide</b>
Overall width	29-7/8" (76.0cm)
Overall height	To top of glass frame 35-7/8" (91.1 cm) min. to 37" (94.0 cm) max. Legs adjust 1-1/8" (2.9 cm)
Electrical requirements	240-208 VAC 60 Hz electrical connection box on product, connect with locally supplied 3-wire, flexible cord or "pigtail" rated 40 amp. 125-250 VAC minimum. Cord must be agency approved for use with household electric ranges
Recommended Breaker	50A Dedicated Circuit
Surface element rating (watts) Left front Left rear Right Front Right rear	6.5" 1500 watts Dual - 9" 3000 / 6" 1400 watts 7" 1800 watts 800 watts 7" 1800 watts
Oven interior width	25-5/16" (64.6 cm)
Oven interior height	16-1/2" (41.9 cm)
Oven interior depth	AHAM 16-13/16" (42.7 cm) Overall—19-1/2" (49.5 cm)
Oven volume	Total oven capacity—4.7 cu. ft. Measure to AHAM standards 4.1 cu. ft.
Approximate shipping weight	426 lbs. (193.2 kg)

<b>VIR Induction Range</b>		
<b>Description</b>	<b>30" W.</b>	<b>36" W.</b>
Overall width	29-7/8" (76.0 cm)	35-7/8" (91.1 cm)
Overall height	To top of glass frame 35-7/8" (91.1 cm) min. to 37" (94.0 cm) max. Legs adjust 1-1/8" (2.9 cm)	
Electrical requirements	240-208 VAC 60 Hz electrical connection box on product, connect with locally supplied 3-wire, flexible cord or "pigtail" rated 40 amp. 125-250 VAC minimum. Cord must be agency approved for use with household electric ranges	
Recommended Breaker	50A Dedicated Circuit	
Surface element rating (watts)	(4) 9" MagneQuick Induction Elements 2300 W / 3700W	(6) 9" MagneQuick Induction Elements 2300 W / 3700W
Oven interior width	25-5/16" (64.6 cm)	30-5/16" (76.9 cm)
Oven interior height	16-1/2" (41.9 cm)	
Oven interior depth	AHAM 16-13/16" (42.7 cm) Overall—19-1/2" (49.5 cm)	
Oven volume Total oven capacity Measure to AHAM standards	4.7 cu. ft. 4.1 cu. ft.	5.6 cu. ft. 4.9 cu. ft.
Approximate shipping weight	426 lbs. (193.2 kg)	525 lbs. (193.2 kg)

# Dimensions



	30" W.	36" W.
A	29-7/8" (759 mm)	35-7/8" (911 mm)



## Minimum clearances from adjacent combustible construction

- Cooking surface and below, 36" (91.4 cm) and below
  - Sides—0"
  - Rear—0" with backguard or highshelf; 0" with island trim and noncombustible rear wall; 6" (15.2 cm) with island trim and combustible rear wall.
- Above cooking surface, above 36" (91.4 cm)
  - Sides—6" (15.2 cm)
  - Within 6" (15.2 cm) side clearance, wall cabinets no deeper than 13" (33.0 cm) must be minimum 18" (45.7 cm) above cooking surface.
  - Wall cabinets directly above product must be minimum 42" (106.7 cm) for open top burners above cooking surface.

# Cutout / Clearance Dimensions

## ⚠ WARNING



### BURN HAZARD

The use of cabinets for storage above the appliance may result in potential burn hazard. Combustible items may ignite, metallic items may become hot and cause burns. If a cabinet storage is to be provided the risk can be reduced by installing a range hood that projects horizontally a minimum of 5" (12.7 cm) beyond the bottom of the cabinets.

## ⚠ CAUTION

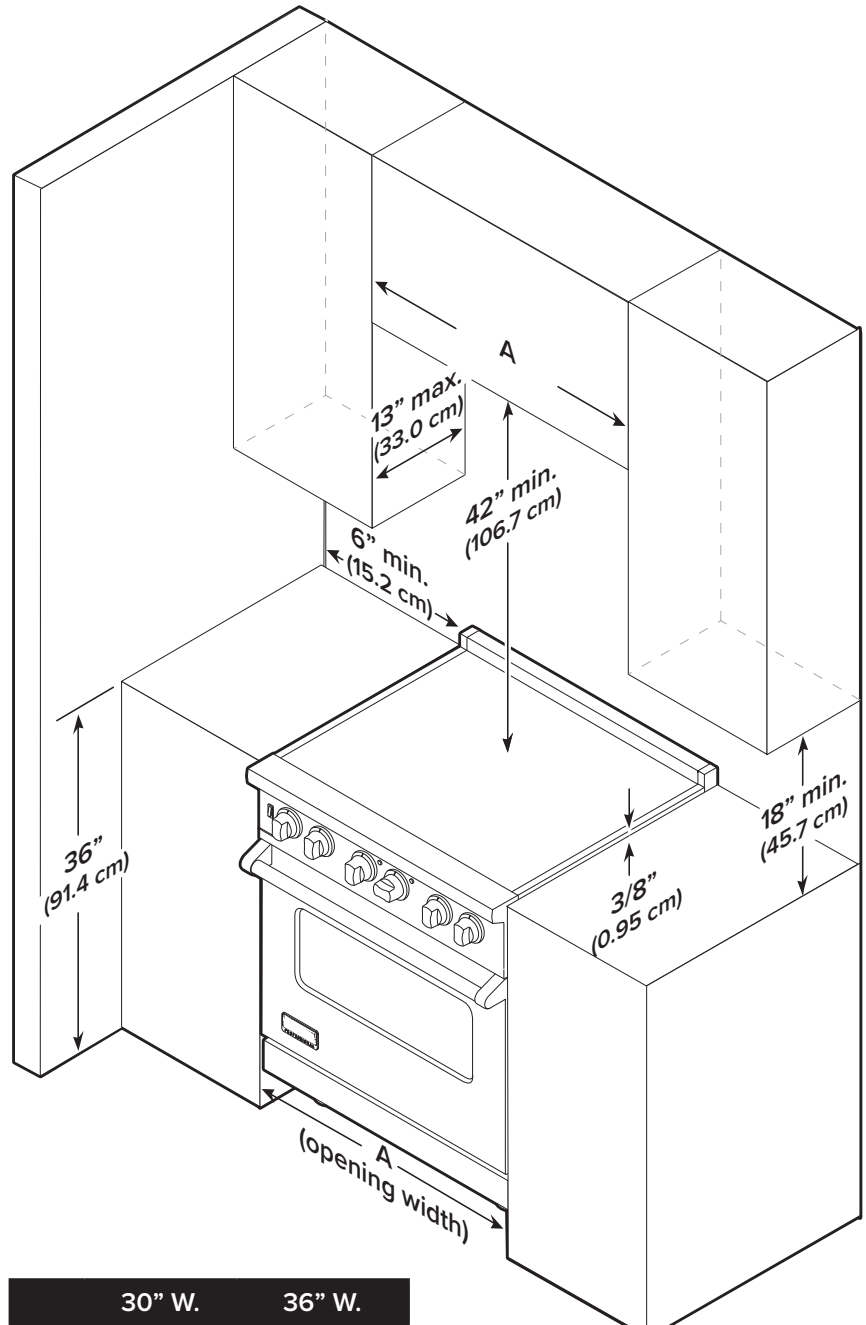
To prevent possible damage to cabinets and cabinet finishes, use only materials and finishes that will not discolor or delaminate and will withstand temperatures up to 194°F (90°C). Heat resistant adhesive must be used if the product is to be installed in laminated cabinetry. Check with your builder or cabinet supplier to make sure that the materials meet these requirements.

- This range may be installed directly adjacent to existing 36" (91.4 cm) high base cabinets. **IMPORTANT:** The side trim **MUST** be 3/8" (.95 cm) above the adjacent base cabinet countertop. This can be accomplished by raising the unit using the adjustment spindles on the legs.
- The range **CANNOT** be installed directly adjacent to sidewalls, tall cabinets, tall appliances, or other side vertical surfaces above 36" (91.4 cm) high. There must be a minimum of 6" (15.2 cm) side clearance from the range to such combustible surfaces above the 36" (91.4 cm) counter height.
- Within the 6" (15.2 cm) side clearance to combustible vertical surfaces above 36" (91.4 cm), the maximum wall cabinet depth must be 13" (33.0 cm) and wall cabinets within this 6" (15.2 cm) side clearance must be 18" (45.7 cm) above the 36" (91.4 cm) high countertop.
- Wall cabinets above the range must be a minimum of 42" (106.7 cm) above the range cooking surface for the full width of the range. This minimum height requirement does not apply if a range hood is installed over the cooking surface.

**Note:** If a range hood is installed, wall cabinets above the rangetop have a different minimum clearance height

**Note:** Minimum clearance for back wall is 0" with backguard or high-shelf.

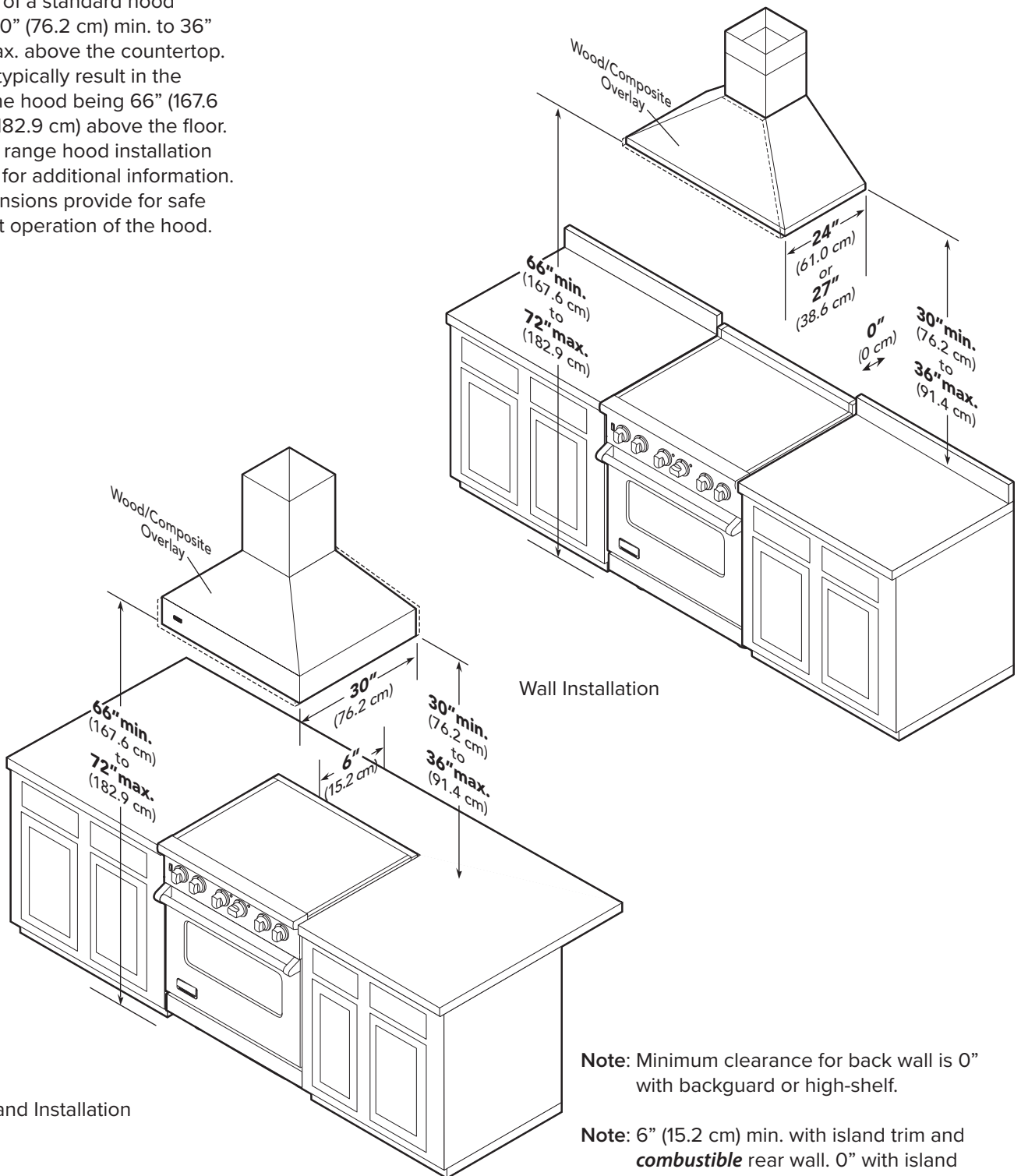
**Note:** 6" (15.2 cm) min. with island trim and **combustible** rear wall. 0" with island trim and non-combustible rear wall. Clearances from **non-combustible** materials are not part of the ANSI Z21.1 scope and are not certified by CSA. Clearances to non-combustible materials must be approved by the authority having jurisdiction.



	30" W.	36" W.
A	29-7/8" (75.9 cm)	35-7/8" (91.1 cm)

## Clearance Dimensions - (Wood/Composite Overlay)

The bottom of a standard hood should be 30" (76.2 cm) min. to 36" (91.4 cm) max. above the countertop. This would typically result in the bottom of the hood being 66" (167.6 cm) to 72" (182.9 cm) above the floor. Refer to the range hood installation instructions for additional information. These dimensions provide for safe and efficient operation of the hood.



**Note:** Minimum clearance for back wall is 0" with backguard or high-shelf.

**Note:** 6" (15.2 cm) min. with island trim and **combustible** rear wall. 0" with island trim and non-combustible rear wall. Clearances from **non-combustible** materials are not part of the ANSI Z21.1 scope and are not certified by CSA. Clearances to non-combustible materials must be approved by the authority having jurisdiction.

# Electrical Requirements

## Electrical Requirements

Electrical installation should be performed by a licensed electrician. Wire size and electrical requirements, per NEC and Local Codes, should be verified prior to installing the product. This product is manufactured so that either a 3 wire or 4 wire option, for connection, can be used. The product comes standard setup for a 3-wire connection with the Neutral connected to the cabinet. Refer to Page 12-15 for instructions on each of the options

RATING\* Specified Rating of Power Supply Cord Kit and Circuit Protection

<u>120/240 Volts</u>	<u>120/208 Volts</u>	<u>Amps</u>
12.5 – 16.5 KW	9.2 – 12.5 KW	50
16.5 – 17.5 KW	12.5 – 13.5 KW	60

\*The National Electric Code calculation for Electrical Load is less than the Total Connected Electrical Load listed on the model/serial rating plate.


A GFI shall be used if required by NFPA-70 (National Electric Code), federal/state/local laws, or local ordinances.

- The required use of a GFI is normally related to the location of a receptacle with respect to any significant sources of water or moisture. Viking Range, LLC will NOT warranty any problems resulting from GFI outlets which are not installed properly or do not meet the requirements below.

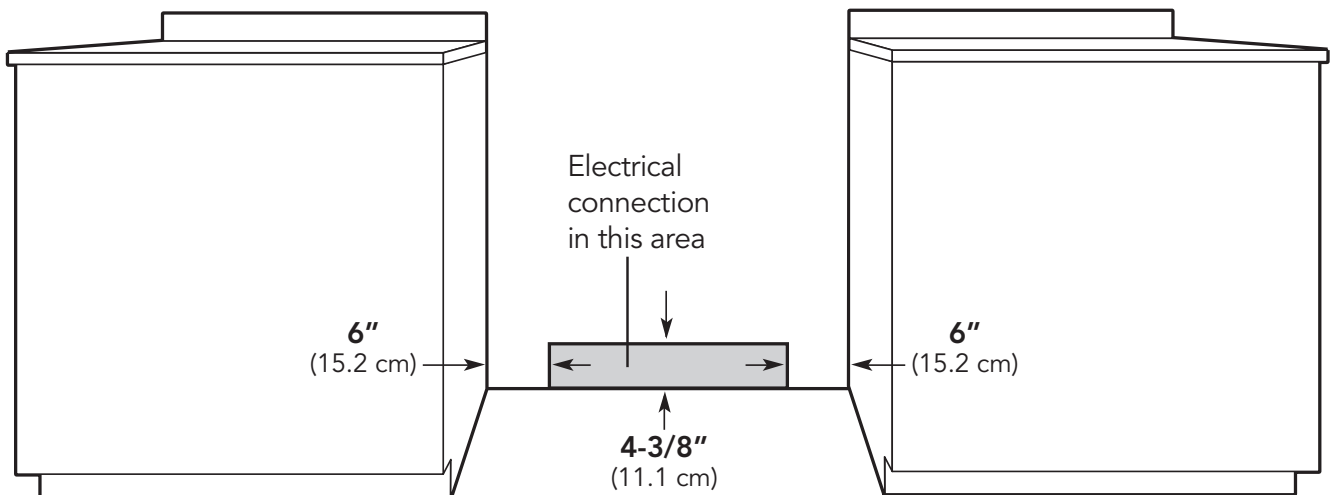
If the use of a GFI is required, it should be:

- Of the receptacle type (breaker type or portable type NOT recommended)
- Used with permanent wiring only (temporary or portable wiring NOT recommended)
- On a dedicated circuit (no other receptacles, switches or loads in the circuit)
- Connected to a standard breaker of appropriate size (GFI breaker of the same size NOT recommended)
- Rated for Class A (5 mA +/- 1 mA trip current) as per UL 943 standard
- In good condition and free from any loose-fitting gaskets (if applicable in outdoor situations)
- Protected from moisture (water, steam, high humidity) as much as reasonably possible

**⚠ WARNING**



The electrical power to the unit must be shut off while line connections are being made. Failure to do so could result in serious injury or death.





# General Information

**READ AND FOLLOW ALL WARNING AND CAUTION INFORMATION WHEN INSTALLING THIS APPLIANCE**

- All openings in the wall behind the appliance and in the floor under the appliance must be sealed.
- DO NOT obstruct the flow of combustion and ventilation air.

## ⚠ CAUTION

Avoid any damage to oven vents. The vents need to be unobstructed and open to provide proper airflow for optimal oven performance

## ⚠ CAUTION

The cooling fan should be operating when the unit is in operation. If you notice the cooling fan is not operating or you observe unusual or excessive noise coming from the cooling fan, contact a Viking Authorized Service Center before continuing operation. Failure to do so can result in damage to the oven or surrounding cabinets.

### ***Moving, Handling, and Unpacking***

Remove and discard all packing materials, including cardboard and tape on the outside and inside of the range.

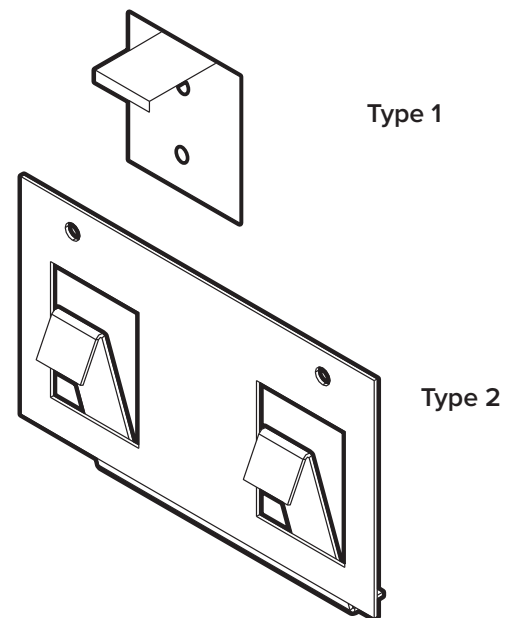
**DO NOT** discard the anti-tip metal brackets (2) supplied with the range. These are the anti-tip devices and one must be installed with the unit.

**Type 1** is a wall mount device which can be used for all installation applications.

**Type 2** is a floor mount device which can be used for all applications other than when the range is installed on a concrete sub-floor.

**Important** – The range **MUST** be installed with one of the anti-tip devices. Refer to “Anti-tip Device Installation” section.

Some stainless steel parts may have a plastic protective wrap which must be peeled off. The interior should be washed thoroughly with hot, soapy water to remove film residues and any dust or debris before being used, then rinsed and wiped dry. Solutions stronger than soap and water are rarely needed.

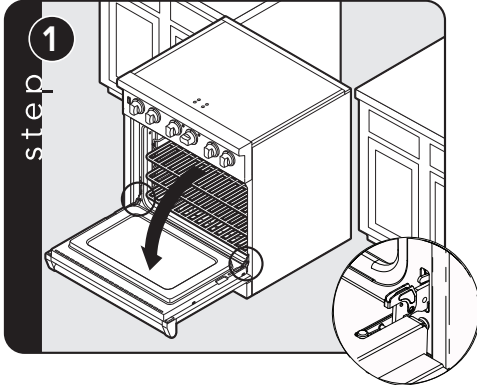


# Installation

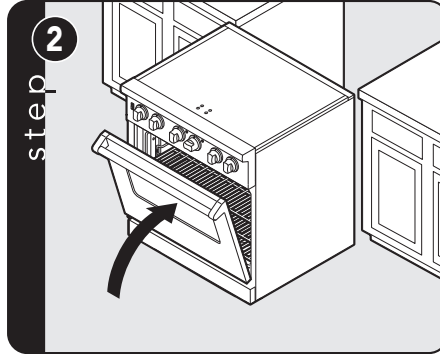
## Door Removal

### ⚠ CAUTION

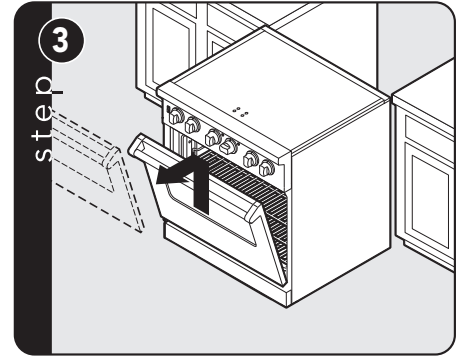
To avoid risk of personal injury or product damages, DO NOT use the handle or oven door to lift the oven. Remove door before installation to ensure that it is not used to lift the unit. DO NOT lift or carry the door by the handle. Removing the door must be done by your dealer, or a qualified licensed plumber.



Open door completely. Fold latches back until locked in place. not secure for long transit.

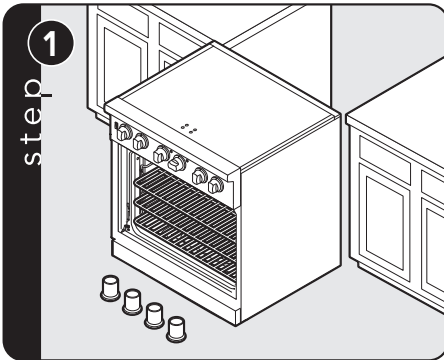


Gently close until latches stop door

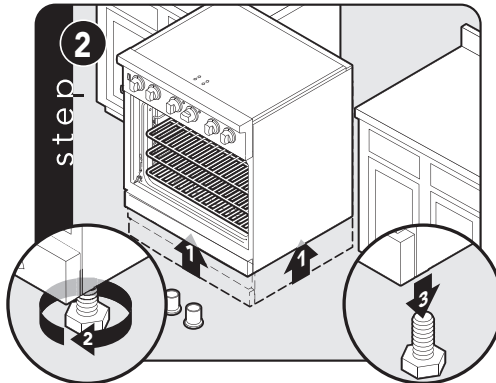


Lift door up and out.

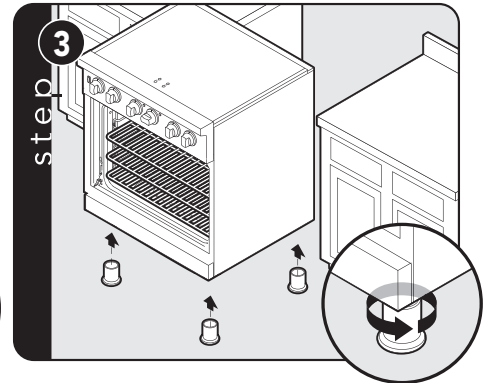
## Leg Installation



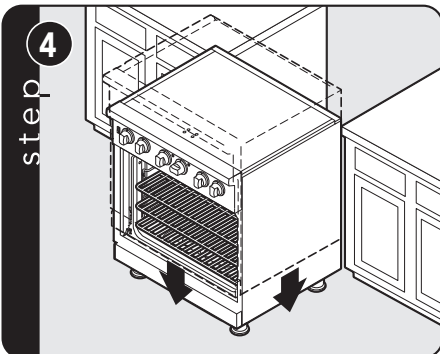
Legs are packed in styrofoam top pack. Note: Legs should be installed near to where appliance is to be used, as they are not secure for long transit.



Note: It is strongly recommended that a pallet or lift jack be used rather than tilting. Raise unit about a foot. Unscrew temporary legs from couplings.



Screw legs into couplings on all four corners.



Lower range gently to keep any undue strain from legs and internal mounting hardware.

# Electrical Connection (3-wire)

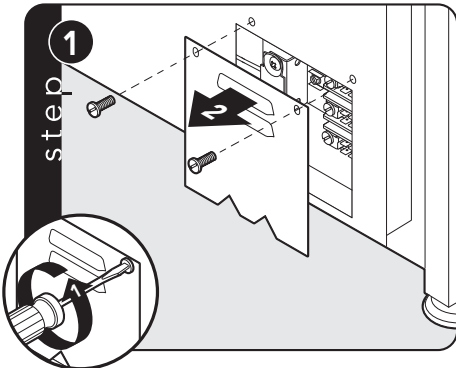
## ⚠ WARNING



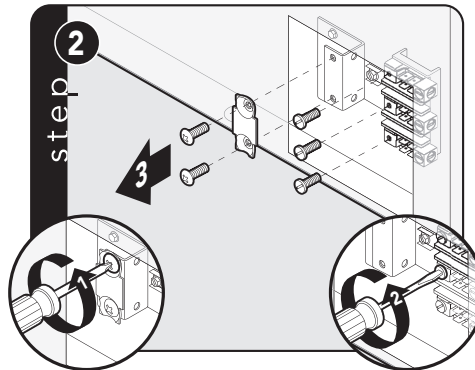
### ELECTRICAL GROUNDING INSTRUCTIONS

To avoid risk of electrical shock, personal injury or death; verify your appliance has been properly grounded in accordance with local codes or in absence of codes, with the National Electrical Code (NEC). ANSI/NFPA-70 – latest edition. Grounding product to the frame of the unit may or may not be permitted through your local codes. If ground to the frame is not permitted then a 4-conductor powercord must be used.

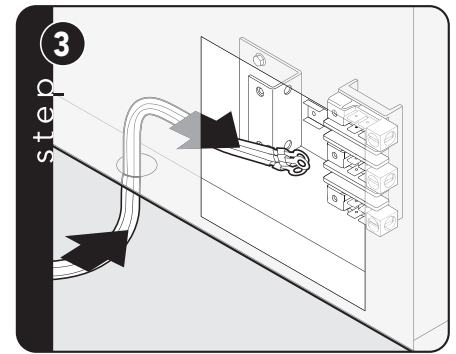
Where local codes do not permit grounding through neutral, use a 4-wire power supply cord. The cord or conduit must be secured to the range with the strain relief bracket. The electrical connection is made at the terminal block, which is located behind the access door on the back of the range.



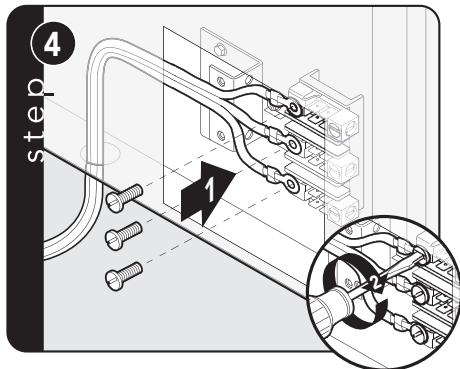
Remove access door



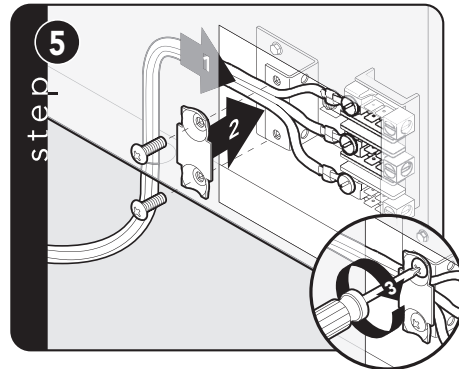
Remove supply cord strain relief bracket and three supply cord mounting screws on terminal block.



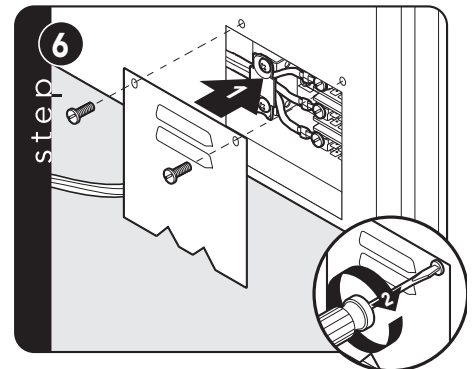
Feed supply cord up through hole in bottom of range back.



Attach line #1(black) and line #2(red) leads to outside terminal. Attach neutral wire (white) to center terminal on the terminal block.



Push supply cord toward terminal block to relieve strain. Reattach supply cord strain relief bracket over supply cord terminal.



Reattach access door

# Electrical Connection (4-wire)

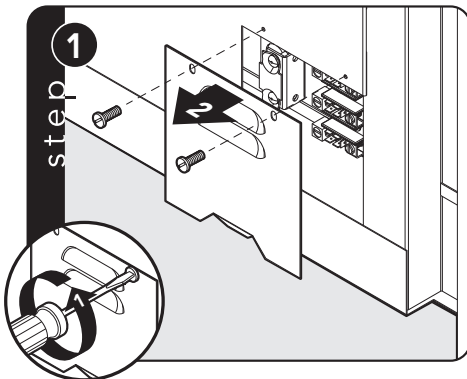
## ⚠ WARNING



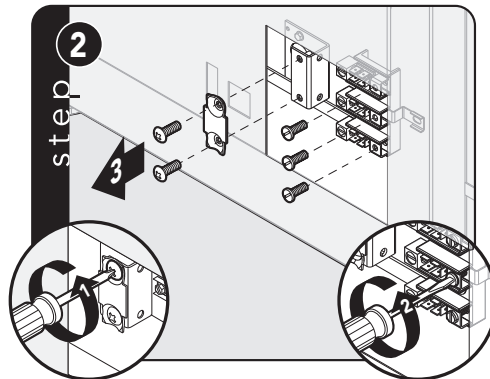
### ELECTRICAL GROUNDING INSTRUCTIONS

To avoid risk of electrical shock, personal injury or death; verify your appliance has been properly grounded in accordance with local codes or in absence of codes, with the National Electrical Code (NEC). ANSI/NFPA-70 – latest edition. Grounding product to the frame of the unit may or may not be permitted through your local codes. If ground to the frame is not permitted then a 4-conductor powercord must be used.

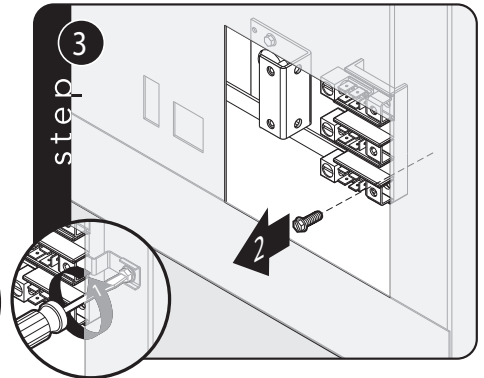
Where local codes do not permit grounding through neutral, use a 4-wire power supply cord. The cord or conduit must be secured to the range with the strain relief bracket. The electrical connection is made at the terminal block, which is located behind the access door on the back of the range



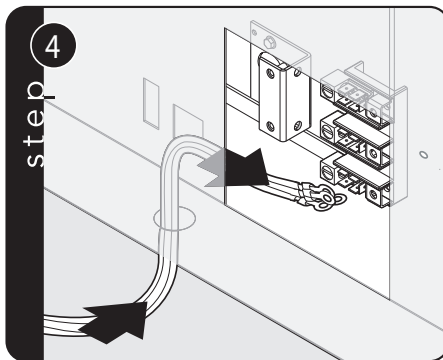
Remove access door



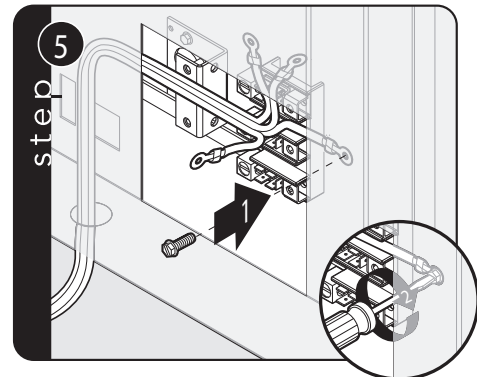
Remove supply cord strain relief bracket and three supply cord mounting screws on terminal block.



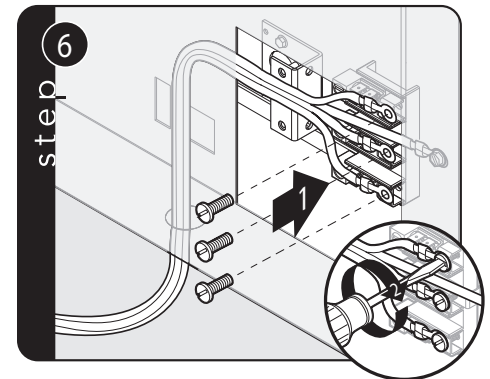
Remove grounding screw. Cut-off and discard ground strap.



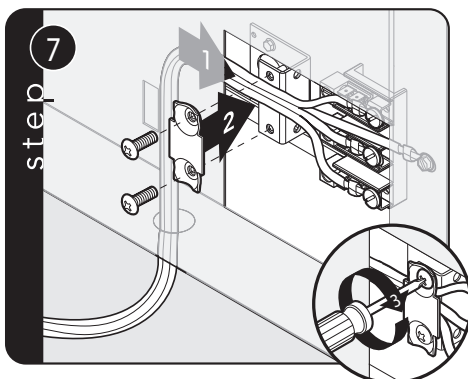
Feed supply cord up through hole in bottom of range back



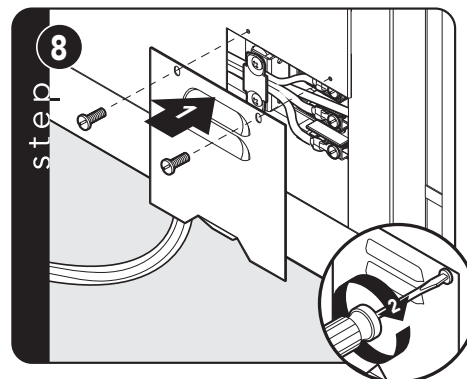
Attach ground wire (green) with ground screw that was removed.



Attach line #1 (black) and line #2 (red) leads to outside terminal. Attach neutral wire (white) to center terminal on terminal block.

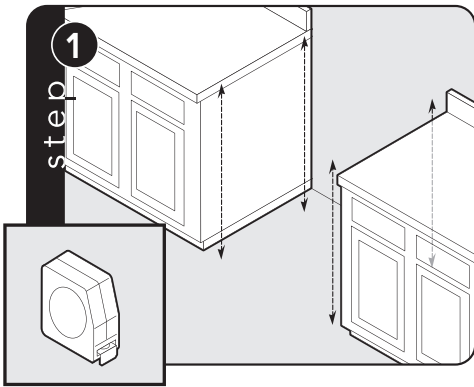


Push supply cord toward terminal block to relieve strain, reattach supply cord strain relief bracket over supply cord.

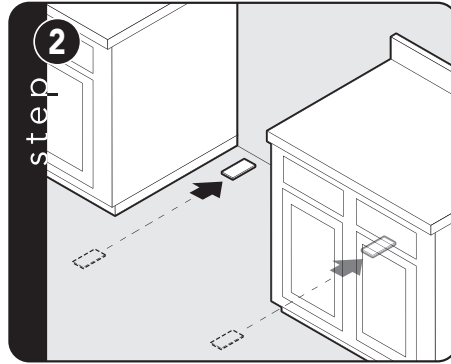


Reattach access door

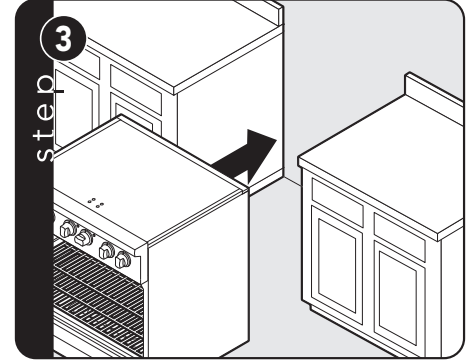
# Leveling/Adjustment/Alignment



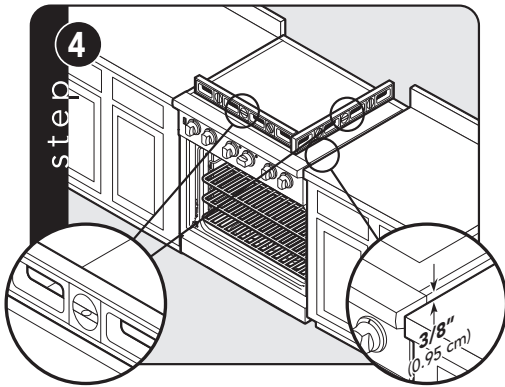
Measure the four corners in cutout area to verify if flooring is level.



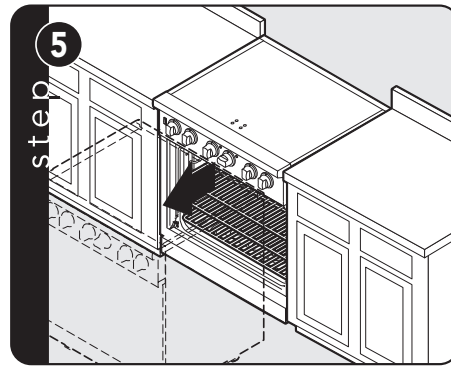
For uneven or sloped floors, level unit with metal shims only, as the adjustment required may exceed the thread available in the leg.



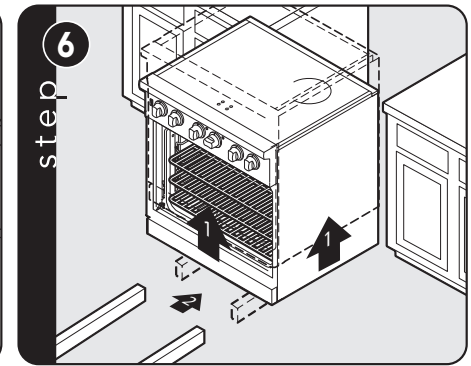
Move unit into opening



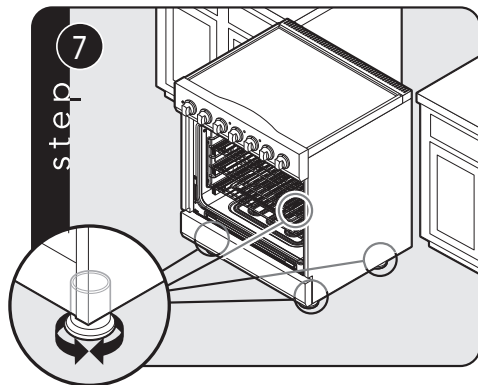
Check that unit is level side to side and front to back. Side trim of the high corner must be 3/8" (0.95 cm) above countertop



If leveling is required, move unit out of opening.



Lift unit and prop on wood blocks.



Set the high corner of range so that the top of side trim is 3/8" (0.95 cm) above countertop. Level range to high corner.

# Anti-tip Device Installation

## ⚠ WARNING

### TIPPING HAZARD

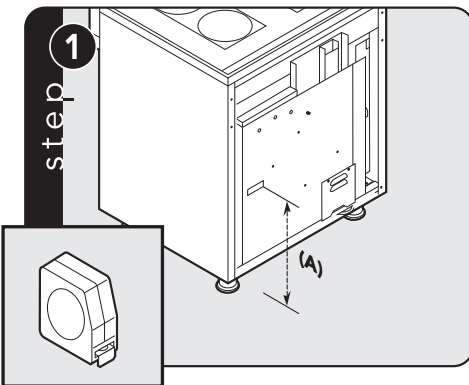


- THIS RANGE CAN TIP.
- A CHILD OR ADULT CAN TIP THE RANGE AND BE KILLED.
- FAILURE TO INSTALL THE ANTI-TIP DEVICE CAN RESULT IN DEATH OR SERIOUS BURNS TO CHILDREN OR ADULTS.
- IF THE RANGE IS MOVED THEN THE ANTI-TIP DEVICE MUST BE RE-ENGAGED.

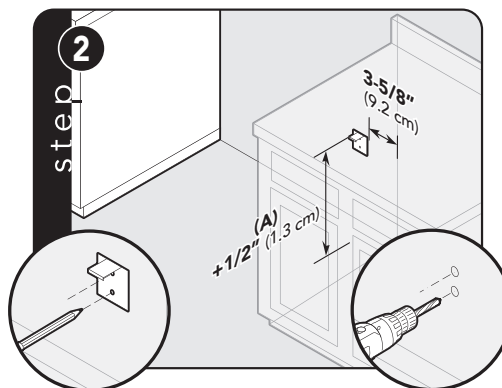


To reduce the risk of the appliance tipping, it must be secured by a properly installed anti-tip bracket(s). To make sure the bracket has been installed properly, look behind the range with a flashlight to verify proper installation engaged in the rear top left corner of the range or under the range to verify that a floor hook and bracket have been installed.

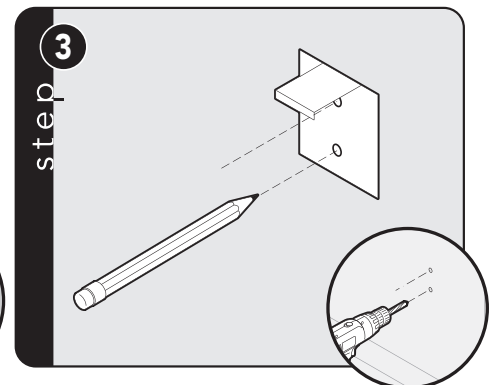
## Wall Mount Anti-tip Installation



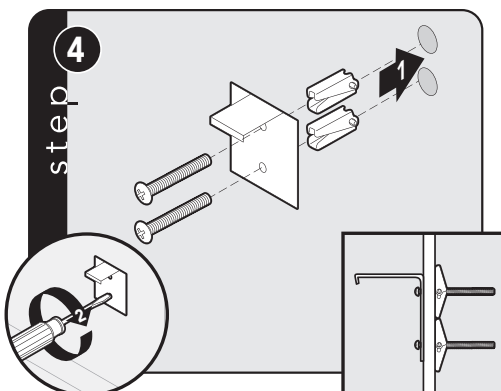
Measure from floor to bottom of the anti-tip opening located on the back of range. This will be measurement (A).



Locate anti-tip bracket on rear wall with the top left corner at measurement (A) plus 1/2" (1.3 cm) from the floor and 3-5/8" (9.2 cm) from where the right side of range (facing range) is to be located.



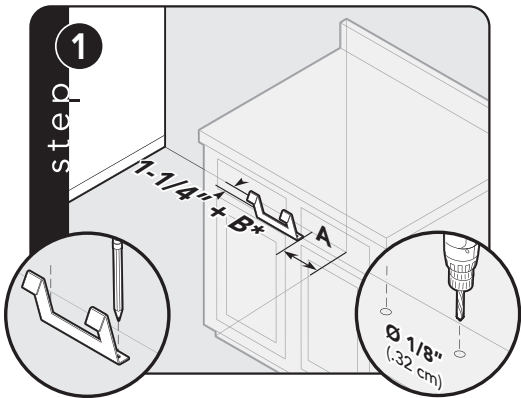
Mark and drill holes where bracket will be located



Attach bracket with mounting hardware provided.

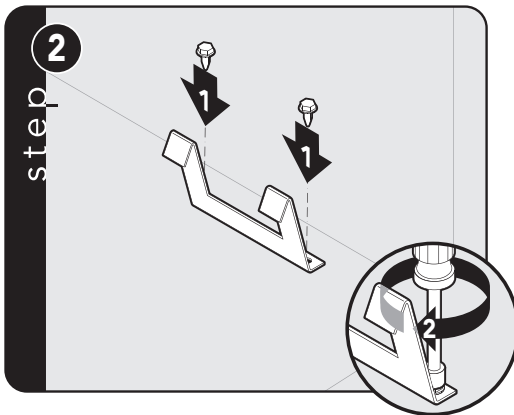


# Floor Mount Anti-tip Installation

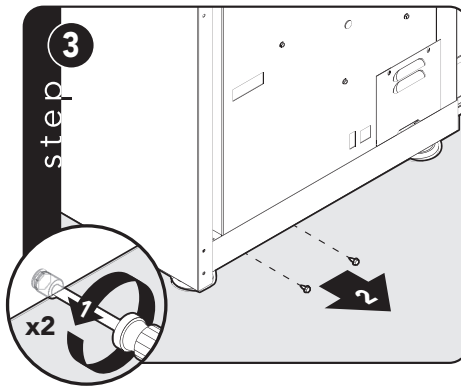


Dim A from Rear Wall Without Standoffs	3-5/8" (9.2 cm)
Dim A from Rear Wall With Standoffs	6-5/8" (16.8 cm)

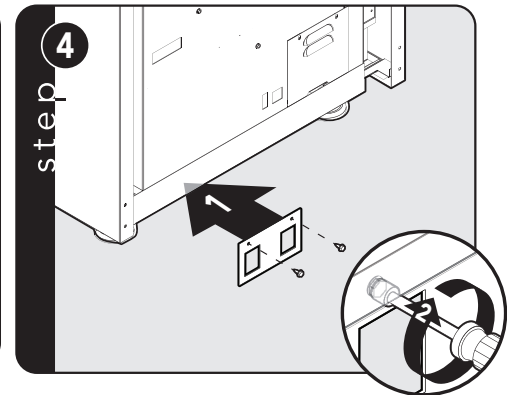
Refer to chart for dimension A based on whether or not standoffs are used with the rear trim device. Mark and drill 1/8" (.32 cm) holes where bracket will be located.



Mount anti-tip bracket hook to floor using screws provided.

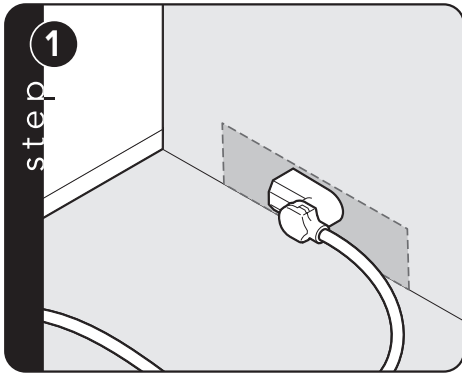


Remove two screws from back of range

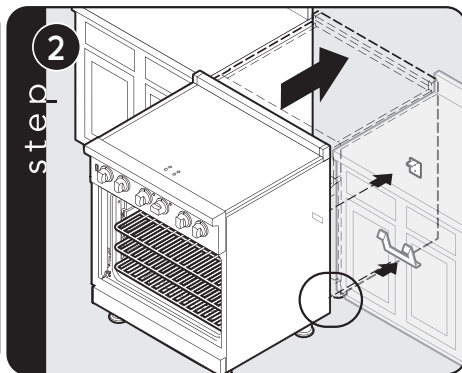


Attach bracket to back of range using two screws.

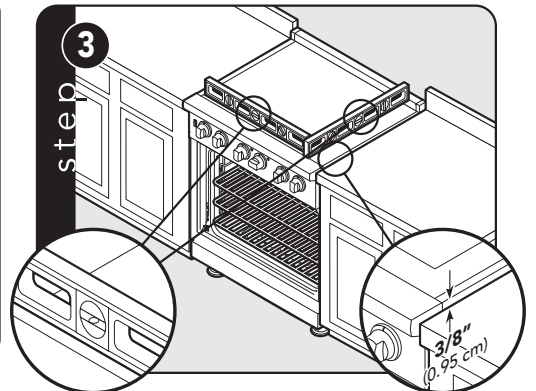
## Final Installation



Connect electrical in shaded area. See the "Electrical Requirements" section for more information.

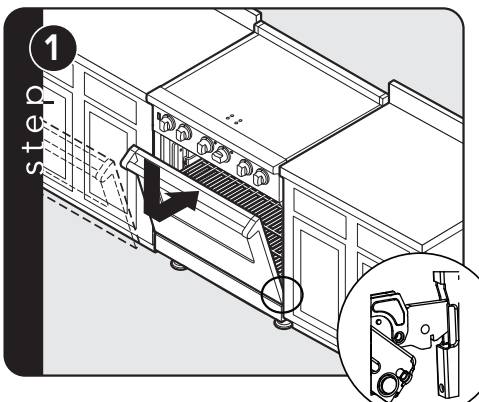


Slide range into place. Whether using the wall or floor anti-tip, be sure anti-tip bracket slides into the anti-tip opening.

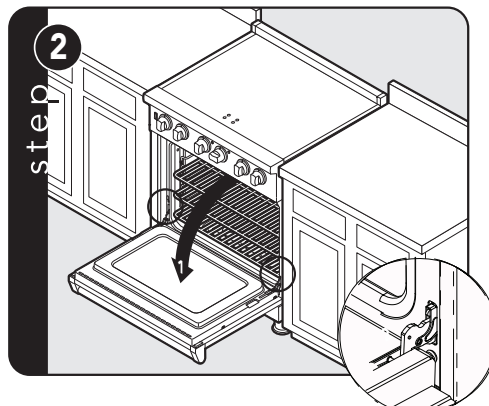


Check that unit is level side to side and front to back. The side trim must be 3/8" (0.95 cm) above countertop. If unit is not level repeat Steps 5-7 of "Leveling/Adjustments/Alignment" section.

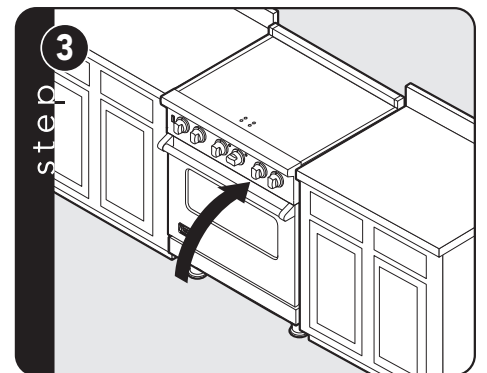
## Door Replacement



Carefully realign door on hinges. Slide in and down



Open door completely. Fold latches forward until locked in place.



Close door



# Final Installation

All stainless steel body parts should be wiped with hot, soapy water and with a liquid cleaner designed for this material. If buildup occurs, **DO NOT** use steel wool, abrasive cloths, cleansers, or powders! If it is necessary to scrape stainless steel to remove encrusted materials, soak with hot, wet cloths to loosen the material, then use a wool or nylon scraper. **DO NOT** use a metal knife, spatula, or any other material tool to scrape stainless steel! Scratches are almost impossible to remove.

**⚠ NOTICE**

When conducting performance test, **DO NOT** run self-clean cycle for more than 10 minutes with oven racks inside oven. This could cause them to discolor due to the high temperature required for self-cleaning.

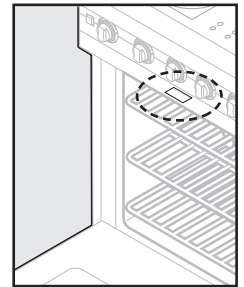
# Service & Registration

Only authorized replacement parts may be used in performing service on the appliance.

All servicing should be referred to a qualified technician.

Contact Viking Range Corporation, 1-888-VIKING1 (845-4641), for the nearest service parts distributor in your area or write to:

VIKING RANGE, LLC  
 PREFERRED SERVICE  
 111 Front Street  
 Greenwood, Mississippi 38930 USA



The serial number and model number for your appliance can be found by opening the door and looking under the control panel.

Record the information indicated below. You will need it if service is ever required.

Model number \_\_\_\_\_

Serial number \_\_\_\_\_

Date of purchase \_\_\_\_\_ Date installed \_\_\_\_\_

Dealer's name \_\_\_\_\_

Address \_\_\_\_\_

These installation instructions should remain with the unit for future reference





Viking Range, LLC  
111 Front Street  
Greenwood, Mississippi 38930 USA  
(662) 455-1200

For product information,  
call 1-888-(845-4641) or  
visit our web site at [vikingrange.com](http://vikingrange.com).