



CONVECTION MICROWAVE OVEN

Viking 5 Series – VMOC

PROFESSIONAL FEATURES

- Instant sensor settings for cooking, reheating foods, and popping popcorn
- Four convection settings: ConvecBroil, ConvecRoast, ConvecBake, and a manual convection setting option
- Low Mix Bake and High Mix Roast settings use convection heat to seal and brown outside of foods, and microwave energy to cook interior
- Add-A-Minute allows a minute of extra cooking time to be added with the touch of a button
- Child Lock safety feature locks control panel to prevent unwanted operation



SPACIOUS OVEN CAVITY

- 1.5 cubic ft. (42.5 liters) oven capacity
 - 16-1/8"W. x 9-5/8"H. x 16-1/8"D.
- 15-3/8" (38.1 cm) diameter turntable
- Interior light

MODEL NUMBERS

- VMOC506SS – Convection Microwave Oven

INSTALLATION OPTION

- Place on countertop or install as a built-in using the optional trim kit accessory
- Built-in trim kits designed to match corresponding ovens and warming drawers (sold separately)
 - Available in 27" and 30" widths
- Install flush to the cabinet with Flush Mount Installation Kit accessory (for use with all built-in trim kits)

ACCESSORIES

- VMTK277SS – 27"W. Built-In Trim Kit
- VMTK307SS – 30"W. Built-In Trim Kit
- PMF307TKSS – 30"W. Flush Mount Trim Kit

COLOR FINISHES

- Available in Stainless Steel (SS)



WARRANTY

- 2-year full – complete product
- 90-day full – cosmetic parts such as glass, painted items and decorative items
- 5-year limited – magnetron tube

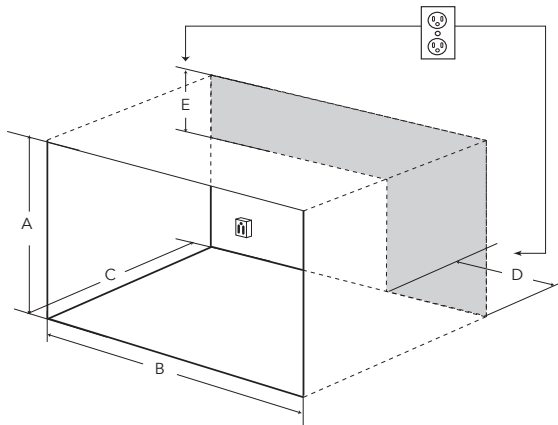


CONVECTION MICROWAVE OVEN

Viking 5 Series – VMOC

DESCRIPTION	MICROWAVE OVEN	27" AND 30" WIDE TRIM KITS	
	VMOC506	VMTK277	VMTK307
Overall Width	24-5/8" (62.5 cm)	26-1/2" (67.3 cm)	29-1/2" (74.9 cm)
Overall Height	14-7/8" (37.7 cm)	19-13/16" (50.1 cm)	
Overall Depth	19" (48.3 cm)	-	
Cutout Width	-	25" (63.5 cm) minimum	
Cutout Height	-	18-11/16" (46.9 cm) minimum	
Cutout Depth	-	20-1/8" (51.1 cm) minimum	
Electrical Requirements	120VAC/60Hz	-	
Maximum Amp Usage	1.55 kW, 13.0 amps	-	
Oven Interior Dimensions	Width – 16-1/8" (40.9 cm) Height – 9-5/8" (24.4 cm) Depth – 16-1/8" (40.9 cm) Overall Size – 1.5 cu. ft.	-	
Approximate Shipping Weight	60 lb. (27.2 kg)	19 lb. (8.6 kg)	20 lb. (9.1 kg)

Please do not prepare installation from brochure data only. See installation instructions for important clearance/installation information.



	Convection
A (Height)	18-1/2" (46.9 cm)
B (Width)	25" (63.5 cm)
C (Depth)	Min. 20-1/8" (51.1 cm)
D	Min. 6" (15.2 cm) Max. 11-1/2" (29.2 cm)
E	Min. 4" (10.2 cm) Max. 5" (12.7 cm)



VIKING RANGE, LLC 111 FRONT STREET GREENWOOD, MISSISSIPPI 38930 USA

For detailed product information, model numbers, or to request a quote call 1-888-845-4641 or visit vikingrange.com

© 2020 Viking Range, LLC All rights reserved. Specifications subject to change without notice.