



42" AND 54"W. FREESTANDING OUTDOOR GAS GRILLS

Viking 5 Series – VQGFS

COMMERCIAL-TYPE COOKING POWER AND FEATURES

- Large grilling surface
 - 42"W. Model - 1200 sq. in. cooking surface (855 primary, 345 secondary)
 - 54"W. Model - 1555 sq. in. cooking surface (1110 primary, 445 secondary)
- 25,000 BTU Cast brass burners
 - 36"W./42"W. Models – 2 burners
 - 54"W. Model – 3 burners
- 23,000 BTU ProSear Burner
- Dual-position rotisserie with heavy-duty, 3-speed motor and rear infrared burner (14,000 BTU)
- Control illumination with blue LEDs
- Hot surface ignition system
- Dual halogen grill surface lights
- Temperature gauge
- Premium smoker box included
- Stainless steel grilling grates
- Ceramic Briquettes facilitate even radiant heat distribution



42" WIDE GAS GRILL



54" WIDE GAS GRILL

EASY MAINTENANCE AND CLEANUP

- Full-width, pull-out drip tray
- Stainless steel rollers allow drip tray to pull out easily and remain level when fully extended
- Heavy-duty welded construction eliminates gaps where grease and moisture can collect
- Heavy-duty casters with brakes for easy mobility

MODEL NUMBERS

- VQGFS5421SS* – 42"W. Outdoor Gas Grill
- VQGFS5541SS* – 54" W. Outdoor Gas Grill
- Also available in 30" and 36"W. models

*Specify natural (N) or LP/propane (L) gas

ACCESSORIES

- CQ542C – Carbon Fiber Grill Cover for 42" Grill
- CQ554C – Carbon Fiber Grill Cover for 54" Grill

COLOR FINISHES

- Available in Stainless Steel (SS)



WARRANTY

- 1-year full – complete product
- 90-day full – cosmetic parts such as glass, painted items and decorative items
- 5-year limited – stainless steel burner assembly, ceramic pro sear burner, electric warming drawer element, grill grate, side/power burner grate, or briquette tray



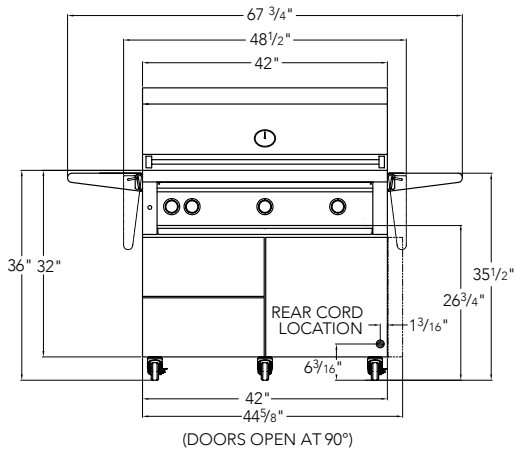
42" AND 54"W. FREESTANDING OUTDOOR GAS GRILLS

Viking 5 Series – VQGFS

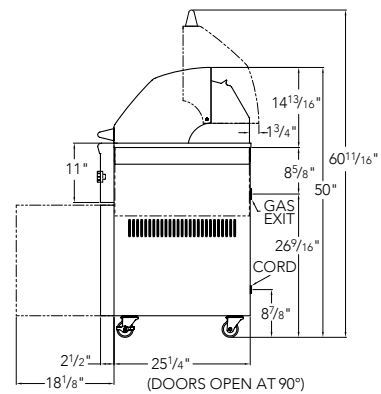
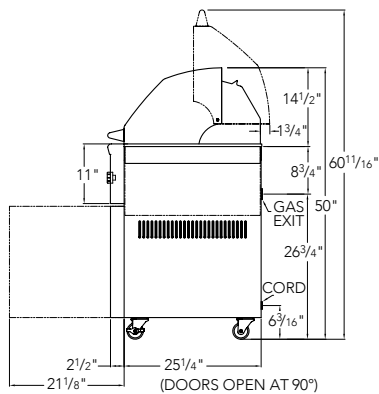
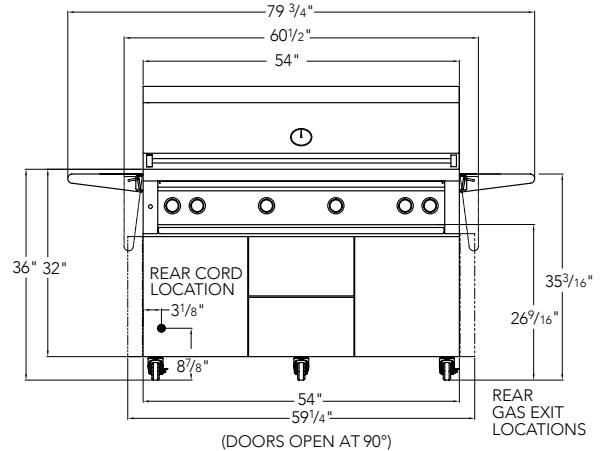
GAS GRILLS		
DESCRIPTION	VQGFS5421(N/L)SS	VQGFS5541(N/L)SS
Gas Requirements	Natural: standard residential 3/4" (1.9 cm) ID gas service line. LP/Propane: Equipped with high-capacity hose/regulator assembly for connection to standard 5 gal., 20 lb. LP/Propane gas cylinder with a Tybe 1, QCC-1 connector or standard residential 3/4" (1.9 cm) ID gas service line.	
Electrical Requirements	120VAC/60Hz – 6' (182.9 cm) power supply cord with 3-prong grounded plug	
Maximum Amp Usage	1.5 amps	
Grill Burner Rating	2 H Burners - 25,000 BTU each 1 ProSear Burner - 23,000 BTU	3 H Burners - 25,000 BTU each 1 ProSear Burner - 23,000 BTU
Rotisserie Burner Rating	16,000 BTU	2 - 14,000 BTU each
Approximate Shipping Weight	524 lbs. (237.7 kg)	627 lbs. (284.4 kg)

Please do not prepare installation from brochure data only. See installation instructions for important clearance/installation information.

42"W. GAS GRILL



54"W. GAS GRILL



VIKING RANGE, LLC 111 FRONT STREET GREENWOOD, MISSISSIPPI 38930 USA

For detailed product information, model numbers, or to request a quote call 1-888-845-4641 or visit vikingrange.com
 © 2023 Viking Range, LLC All rights reserved. Specifications subject to change without notice.

