



## 42" AND 54"W. BUILT-IN OUTDOOR GAS GRILLS

Viking 5 Series – VQGI

### COMMERCIAL-TYPE COOKING POWER AND FEATURES

- Large grilling surface
  - 42"W. Model - 1200 sq. in. cooking surface (855 primary, 345 secondary)
  - 54"W. Model - 1555 sq. in. cooking surface (1110 primary, 445 secondary)
- 25,000 BTU Cast brass burners
  - 36"W./42"W. Models – 2 burners
  - 54"W. Model – 3 burners
- 23,000 BTU ProSear Burner
- Dual-position rotisserie with heavy-duty, 3-speed motor and rear infrared burner (14,000 BTU)
- Control illumination with blue LEDs
- Hot surface ignition system
- Dual halogen grill surface lights
- Temperature gauge
- Premium smoker box included
- Stainless steel grilling grates
- Ceramic Briquettes facilitate even radiant heat distribution



42" WIDE GAS GRILL



54" WIDE GAS GRILL

### EASY MAINTENANCE AND CLEANUP

- Full-width, pull-out drip tray
- Stainless steel rollers allow drip tray to pull out easily and remain level when fully extended
- Heavy-duty welded construction eliminates gaps where grease and moisture can collect

### MODEL NUMBERS

- VQGI5421SS\* – 42"W. Outdoor Gas Grill
- VQGI5541SS\* – 54" W. Outdoor Gas Grill
- Also available in 30" and 36"W. models

\*Specify natural (N) or LP/propane (L) gas

### ACCESSORIES

- VIJ42 - Insulated Jacket for 42" Grill
- VIJ54 - Insulated Jacket for 54" Grill
- WGO420 - Wind Guard for 42" Grill
- WGO540 - Wind Guard for 54" Grill
- CQ542BI – Carbon Fiber Grill Cover for 42" Grill
- CQ554BI - Carbon Fiber Grill Cover for 54" Grill

### COLOR FINISHES

- Available in Stainless Steel (SS)



### WARRANTY

- 1-year full – complete product
- 90-day full – cosmetic parts such as glass, painted items and decorative items
- 5-year limited – stainless steel burner assembly, ceramic pro sear burner, electric warming drawer element, grill grate, side/power burner grate, or briquette tray



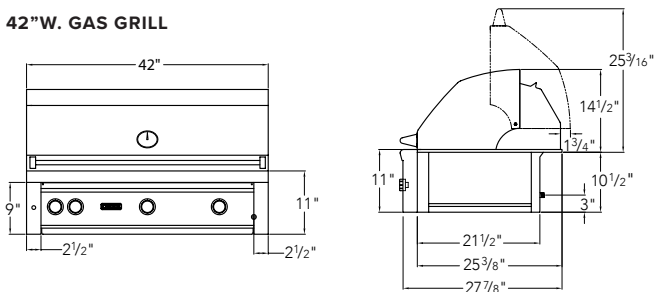
# 42" AND 54"W. BUILT-IN OUTDOOR GAS GRILLS

Viking 5 Series – VQGI

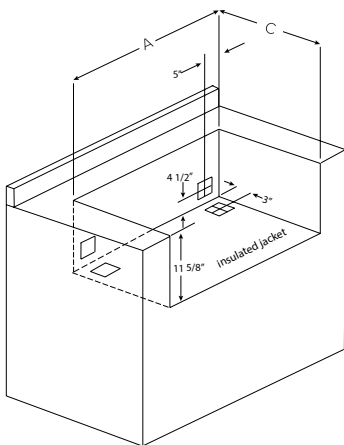
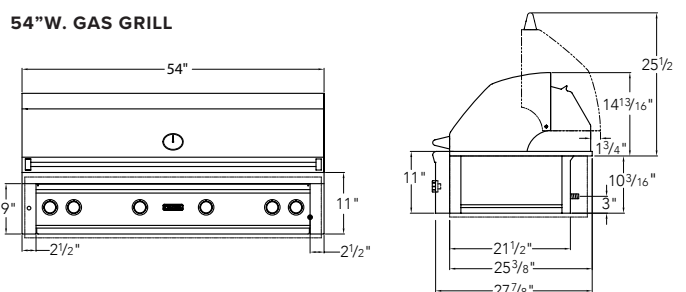
GAS GRILLS		
DESCRIPTION	VQGI5421(N/L)SS	VQGI5541(N/L)SS
Overall Width	42" (106.7 cm)	54" (137.2 cm)
Overall Depth	27-7/8" (70.8 cm)	27-7/8" (70.8 cm)
Cutout Width	41" (104.1 cm)	53" (134.6 cm)
Cutout Height	10-7/8" (27.6 cm)	10-7/8" (27.6 cm)
Cutout Depth	24-1/2" (62.2 cm)	24-1/2" (62.2 cm)
Gas Requirements	Natural: standard residential 3/4" (1.9 cm) ID gas service line. LP/Propane: Equipped with high-capacity hose/regulator assembly for connection to standard 5 gal., 20 lb. LP/Propane gas cylinder with a Tybe 1, QCC-1 connector or standard residential 3/4" (1.9 cm) ID gas service line.	
Electrical Requirements	120VAC/60Hz – 6' (182.9 cm) power supply cord with 3-prong grounded plug	
Maximum Amp Usage	1.5 amps	
Grill Burner Rating	2 H Burners - 25,000 BTU each 1 ProSear Burner - 23,000 BTU	3 H Burners - 25,000 BTU each 1 ProSear Burner - 23,000 BTU
Rotisserie Burner Rating	16,000 BTU	2 - 14,000 BTU each
Approximate Shipping Weight	346 lbs. (156.9 kg)	421 lbs. (191 kg)

Please do not prepare installation from brochure data only. See installation instructions for important clearance/installation information.

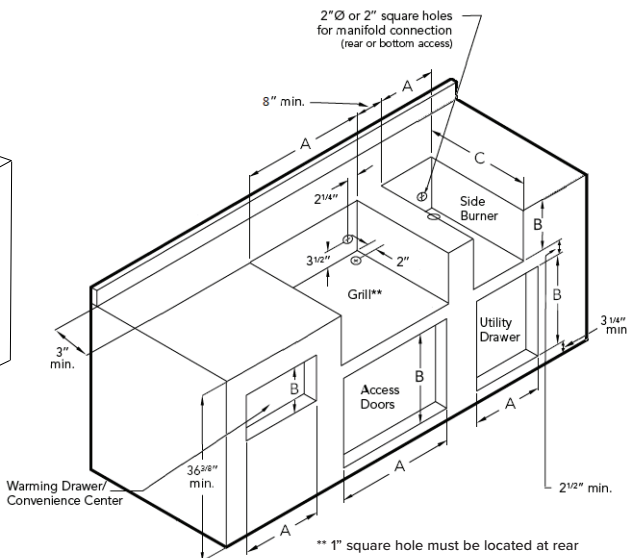
## 42"W. GAS GRILL



## 54"W. GAS GRILL



4" square holes for gas and electrical connections both left and right sides (rear or bottom access). Make these holes in the frame based on your requirements. 120V GFI outlet must be located within 6' of the 4" hole. If using a countertop with overhang a 9/16" notch is required.



\*\* 1" square hole must be located at rear of grill cutout. 120V GFI outlet must be located within 6' of the 1" hole.

	A	B	C
<b>Grills</b>			
VQGI5421	41"	10.88"	24.50"
VQGI5541	53"	10.88"	24.50"
<b>Side Burners</b>			
VQGSB5131	12.13"	10.63"	24.5"
VQGPB5201	19"	10.63"	22"
<b>Warming Drawers</b>			
VQEWD5301	28.5"	10"	20.5"
VQEWD4201	40.25"	19.38"	24.5"
<b>With Insulated Jacket Installed</b>			
VIJ5421	48"	11.63"	26.5"
VIJ5541	60"	11.63"	26.5"

### IMPORTANT

Cutout dimensions will be different when installing next to combustible materials and using a VIJ insulated jacket kit (sold separately).



VIKING RANGE, LLC 111 FRONT STREET GREENWOOD, MISSISSIPPI 38930 USA

For detailed product information, model numbers, or to request a quote call 1-888-845-4641 or visit [vikingrange.com](http://vikingrange.com)

© 2023 Viking Range, LLC All rights reserved. Specifications subject to change without notice.

