



OUTDOOR UNDERCOUNTER REFRIGERATOR

Viking 5 Series – VRUO

PROFESSIONAL FEATURES

- 5.1 cu. ft. capacity stores (146) 12-oz cans
- Easy access door storage accommodates tall bottles
- Cantilevered, fully adjustable stainless steel slide-out full width shelf
- Smooth-glide clear bin organizes loose, bulky items; capable of storing 15 lbs of produce, 4 wine bottles or 22 cans
- Also includes (1) roller-glide and (1) half-width cantilevered, fully adjustable perforated stainless steel shelf and (1) fixed steel-framed glass shelf
- Dynamic cooling technology delivers rapid cool down, frost-free operation and precise temperature stability
- Thermal-efficient cabinet insulates cooling environment and conserves energy while maximizing capacity
- Multifunction controls allows selection of precise cabinet temperature 33° F to 70° F
- Features easy-to-use settings and options
- Corrosion-resistant stainless steel exterior and rugged stainless steel toe kick
- Bright Arctic White interior easily wipes clean
- At the touch of a button, change the interior light color to Alluvial Blue or Arctic White
- Theater-style display lighting gently brightens as door is opened and dims to off when closed
- Stainless steel toe kick adjustable to 4" with leveling legs



MODEL NUMBER

- VRUO5241D(R/L)SS – 24"W. Undercounter Refrigerator (outdoor unit) – Solid door

ACCESSORIES

- Order as right or left hinge

COLOR FINISHES

- Available in Stainless Steel (SS)



WARRANTY

- 1-year full – complete product
- 90-day full – cosmetic parts such as glass, painted items, and decorative items
- 5-year limited – sealed refrigeration system



OUTDOOR UNDERCOUNTER REFRIGERATOR

Viking 5 Series – VRUO

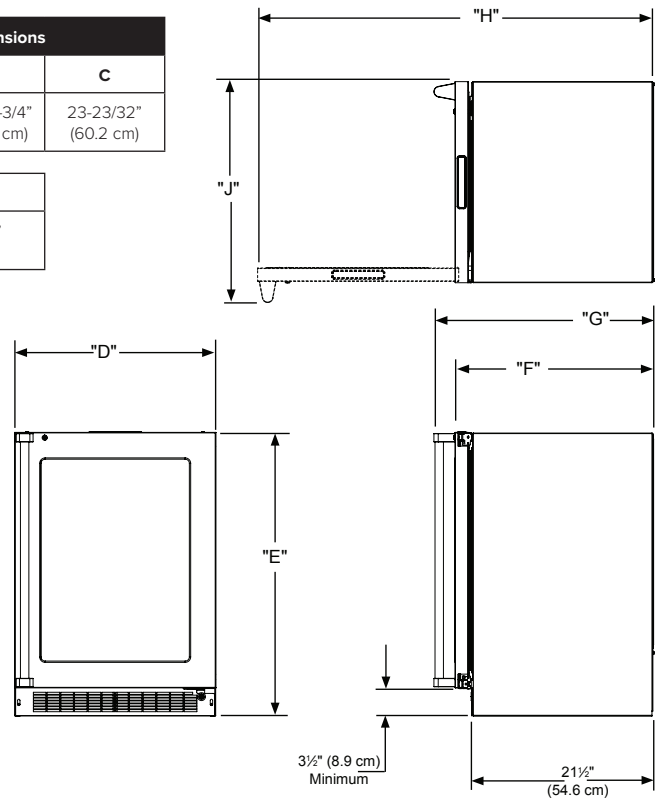
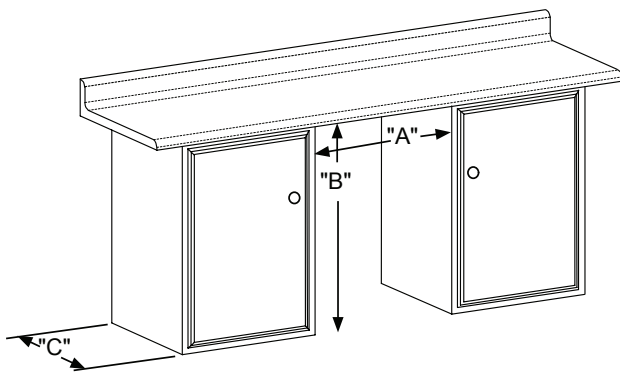
24" W. UNDERCOUNTER/FREESTANDING REFRIGERATOR	
DESCRIPTION	VRUO5241
Overall Width	23-7/8" (60.6 cm)
Overall Height	33-3/4" min – 34-3/4" max (85.7 cm min – 88.3 cm max)
Overall Depth from Rear	To front of door – 23-23/32" (60.2 cm) To handle – 26-7/32" (66.6 cm) With door at 90° – 46-13/32" (117.9 cm)
Electrical Requirements	120V / 60Hz / 15A (5 ft. power cord attached to product)
Maximum Amp Usage	3.0 amps
Maximum Storage Capacity	5.1 cu. ft.
Interior finish	Black
Approximate Shipping Weight	160 lb. (72.6 kg)

Please do not prepare installation from brochure data only. See installation instructions for important clearance/installation information.

Cabinet Dimensions		
A	B	C
23-7/8" (60.7 cm)	33-3/4" to 34-3/4" (85.7 to 88.3 cm)	23-23/32" (60.2 cm)

G	H
26-7/32" (66.6 cm)	46-13/32" (117.9 cm)

24" Rough-in Dimensions		
A	B	C
24" (61 cm)	34" to 35" (86.4 to 88.9 cm)	24" (61 cm)



VIKING RANGE, LLC 111 FRONT STREET GREENWOOD, MISSISSIPPI 38930 USA

For detailed product information, model numbers, or to request a quote call 1-888-845-4641 or visit vikingrange.com
© 2023 Viking Range, LLC All rights reserved. Specifications subject to change without notice.