

# Installation GUIDE



Professional Built-in Hoods

VWH3010 / VWH3610

# Table of Contents

|  |    |
|--|----|
| Warnings & Important Information _____                               | 3  |
| VWH 10"H. Wall Hoods w/Standard Ventilator 30", & 36"                |    |
| Dimensions & Specifications _____                                    | 5  |
| Clearance Dimensions _____   | 6  |
| Interior Ventilator Dimensions _____                                 | 7  |
| Planning Information _____   | 8  |
| Installation Procedures  |    |
| Installation (VWH 10"H. Wall Hoods w/Standard Ventilator) _____      | 9  |
| Duct Cover Option (VWH 10"H. Wall Hoods w/Standard Ventilator) _____ | 11 |
| Installation (VWH 10"H. Wall Hoods w/Recirculating Kit) _____        | 11 |
| Service & Registration _____   | 15 |

# IMPORTANT—Please Read and Follow!

*NOTE: If installing hood with warming shelf panel, install warming shelf panel first.*

## **IMPORTANT – PLEASE READ AND FOLLOW**

- Before beginning, please read these instructions completely and carefully.
- Do not remove permanently affixed labels, warnings, or plates from the product. This may void the warranty.
- Please observe all local and national codes and ordinances. If no local codes are applicable, wire in accordance with the National Electrical Code, ANSI/NFPA 70-latest edition.
- Damp environment approved models should be installed in a covered non-enclosed area and should be protected from the elements as much as possible.
- The installer should leave these instructions with the consumer who should retain for local inspector's use and for future reference.
- Check with a qualified and trained installer or local codes for make-up air requirement, if any.

This hood is for residential installation only and is not designed for installation over a commercial product. Make sure power is off at the main circuit breaker or fuse box before making connections. To avoid risk of fire, electric shock, or injury to persons, turn off the electricity to the hood from the power supply before servicing or cleaning. Our hoods are equipped with variable speed control blowers. These units will not function with a single speed ventilator. All Viking Range ventilator kits are designed specifically for use with Viking Range hoods. Use of any non-Viking Range ventilator kit will void the hood warranty.

## **READ AND SAVE THESE INSTRUCTIONS**

## **⚠ WARNING**

**TO REDUCE THE RISK OF FIRE, ELECTRICAL SHOCK, OR INJURY TO PERSONS, OBSERVE THE FOLLOWING:**

1. Installation work and electrical wiring must be done by qualified person(s) in accordance with all applicable codes and standards, including fire-rated construction.
2. Sufficient air is needed for proper combustion and exhausting of gases through the flue (chimney) of fuel burning equipment to prevent back drafting. Follow the heating equipment manufacturer's guideline and safety standards such as those published by the National Fire Protection Association (NFPA), and the American Society for Heating, Refrigeration and Air Conditioning Engineers (ASHRAE), and the local code authorities.
3. When cutting or drilling into wall or ceiling, do not damage electrical wiring and other hidden utilities.
4. Ducted fans must always be vented to the outdoors.
5. **WARNING!:** To reduce risk of fire, use only metal ductwork
6. **CAUTION!:** To reduce risk of fire and to properly exhaust air, be sure to duct air outside. Do not vent exhaust air into spaces within walls or ceilings, or into attics, crawl spaces, or garages.
7. **CAUTION!:** To Reduce the Risk of Fire and Electric Shock, Install this rangehood only with remote blower models manufactured by Viking, model numbers – DEV900/DEV1200, VEV900/VIL1200, OR integral blowers manufactured by Viking Range, model numbers – VINV300/600/1200, or DIL1200. NOTE – Please refer inside for specific canopy/blower combinations.

# IMPORTANT—Please Read and Follow!

## **! WARNING**

To reduce the risk of fire, electric shock, or injury to persons, observe the following:

- Use this unit only in the manner intended by the manufacturer. If you have any questions, contact the manufacturer.
- Before servicing or cleaning unit, switch power off at service panel and lock service panel to prevent power from being switched on accidentally. When the service disconnecting means cannot be locked, securely fasten a prominent warning device, such as a tag, to the service panel.

## **! CAUTION**

For general ventilating use only. Do not use to exhaust hazardous or explosive materials and vapors.

## **! WARNING**

To reduce the risk of injury to persons in the event of a rangetop grease fire, observe the following. (Based on "Kitchen Firesafety Tips," published by NFPA.)

1. SMOTHER FLAMES with a close fitted lid, cookie sheet, or metal tray, then turn off the burner. BE CAREFUL TO PREVENT BURNS. If the flames do not go out immediately, EVACUATE AND CALL THE FIRE DEPARTMENT.
2. NEVER PICK UP A FLAMING PAN. You may be burned.
3. DO NOT USE WATER, including wet dishcloths or towels a violent steam explosion will result.
4. Use an extinguisher ONLY if
  - You know it is a Class ABC extinguisher, and you already know how to operate it.
  - The fire is small and contained in the area where it started.
  - The fire department is being called.
  - You can fight the fire with your back to an exit.

## **! WARNING**

**TO REDUCE THE RISK OF FIRE, ELECTRICAL SHOCK, OR INJURY**

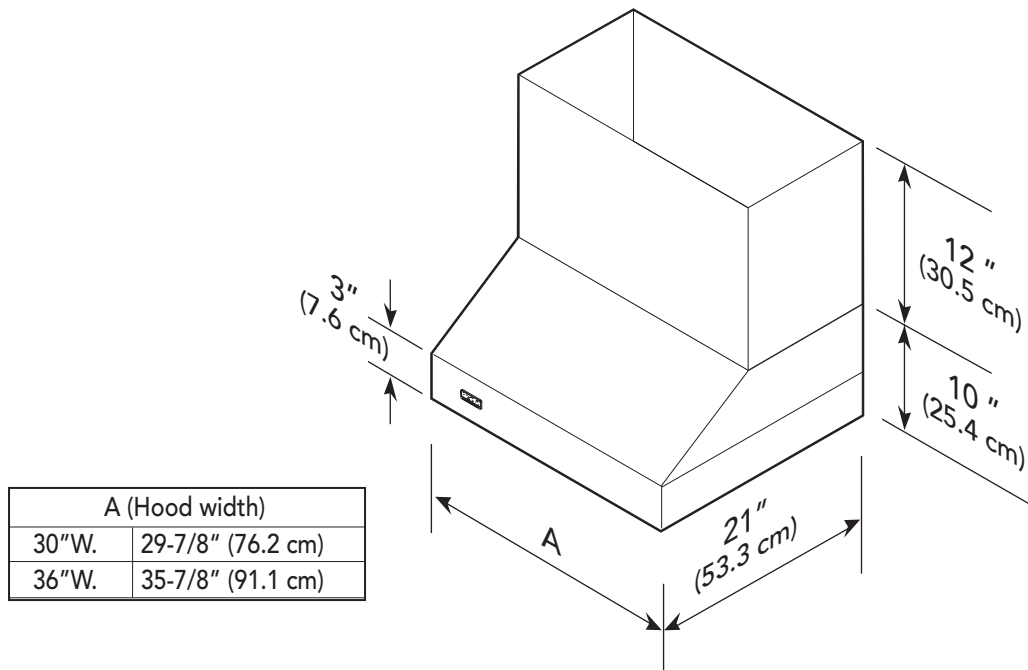
### **TO PERSONS**

Rangehoods must be installed with the ventilators that are specified on their carton indicating suitability with this model. Other ventilators cannot be substituted.



# Dimensions & Specifications

(VWH 10"H. Wall Hoods w/Standard Ventilator 30", & 36")



**NOTE:** Optional duct cover sold separately.

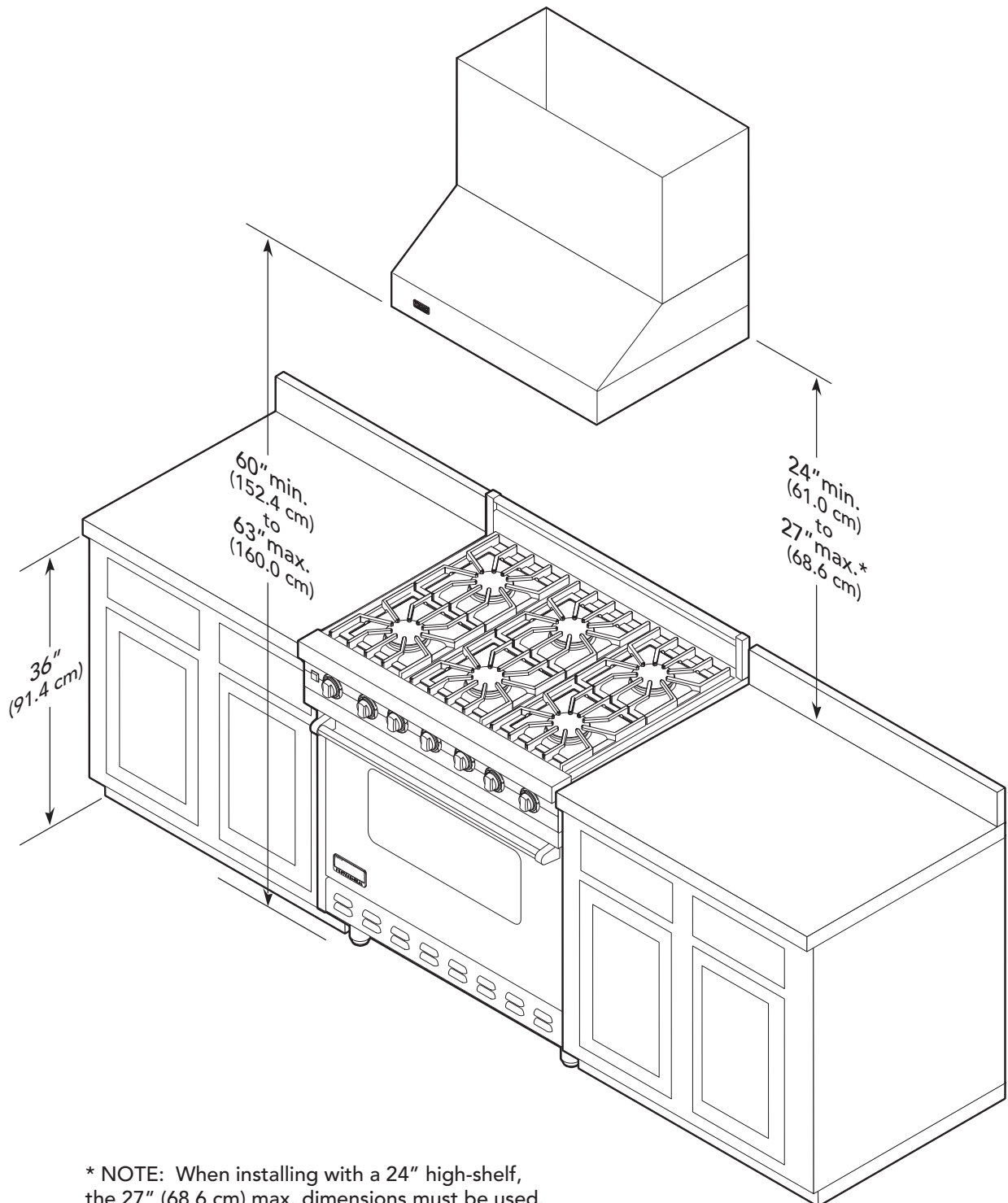
| <b>VWH 10"H. Wall Hoods w/Standard Ventilator</b> |                      |                   |
|---|----------------------|-------------------|
| <b>Description</b>                                | <b>30"</b>           | <b>36"</b>        |
| Duct cover width                                  | 29-7/8" (75.9 cm)    | 35-7/8" (91.1 cm) |
| Duct cover depth                                  | <b>12" (30.5 cm)</b> |                   |
| Duct cover height                                 | <b>12" (30.5 cm)</b> |                   |
| Number of lights                                  | <b>2</b>             |                   |
| Number of filters                                 | <b>2</b>             |                   |
| Heat lamps  | <b>N/A</b>           |                   |
| Interior duct size*                               | <b>7" (17.8 cm)</b>  |                   |
| Interior—Maximum amps                             | <b>5.6</b>           |                   |

\* Disregard when using recirculating kits. Blower is shipped with hood.

| <b>Interior Ventilator</b> | <b>Standard Models</b> | <b>"L" Models</b> | <b>"M" Models</b> |
|----------------------------|------------------------|-------------------|-------------------|
| <b>CFM</b>                 | 460                    | 390               | 300               |

# Clearance Dimensions

(VWH 10"H. Wall Hoods w/Standard Ventilator)



# Interior Ventilator Dimensions

(VWH 10" H. Wall Hoods w/Standard Ventilator)

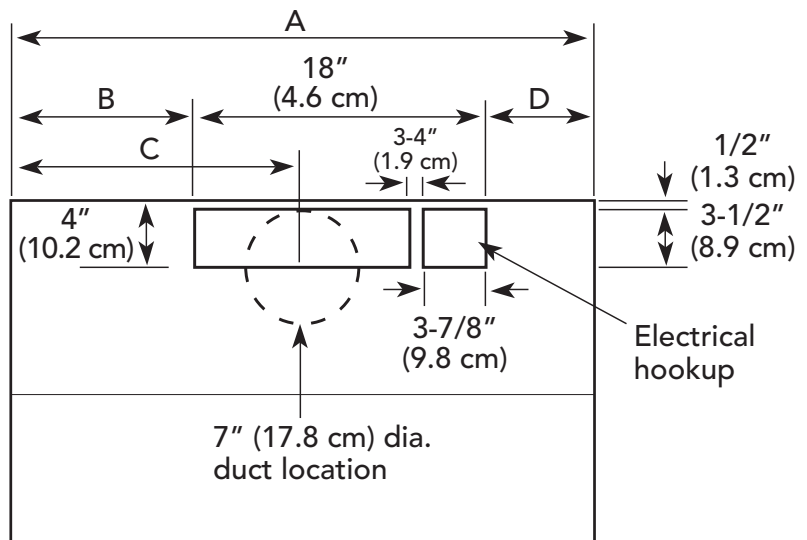
Top View

| A     |                   |
|-------|-------------------|
| 30"W. | 29-7/8" (75.9 cm) |
| 36"W. | 35-7/8" (91.1 cm) |

| B     |                   |
|-------|-------------------|
| 30"W. | 8-1/4" (20.9 cm)  |
| 36"W. | 11-1/4" (28.6 cm) |

| C     |                     |
|-------|---------------------|
| 30"W. | 14-15/16" (37.9 cm) |
| 36"W. | 17-15/16" (45.6 cm) |

| D     |                  |
|-------|------------------|
| 30"W. | 3-5/8" (9.2 cm)  |
| 36"W. | 6-5/8" (16.8 cm) |



Interior Ventilator Installation

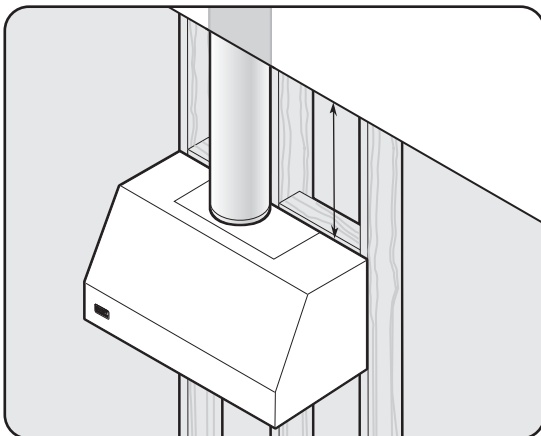
# Planning Information

## Proper installation of ducting is extremely important to ensure maximum performance from any ventilation product.

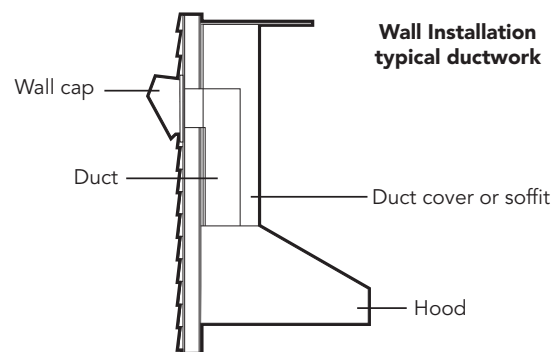
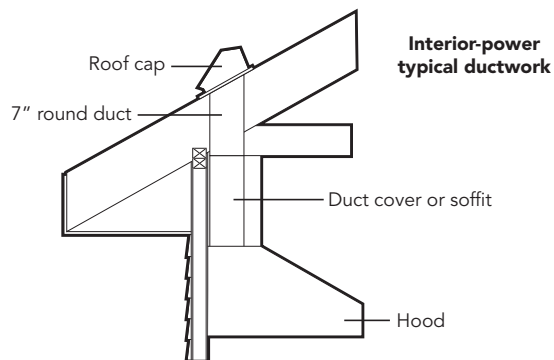
- All CFMs are based on tests at 0.1 static pressure: without applying static pressure, CFM would be greatly overstated.
- Straight runs and gradual turns are best; for example, each 90° elbow is equivalent to 5-10 feet (1.52-3.05 cm) of straight run.
- Never use flexible duct; it creates back pressure/air turbulence and greatly reduces performance.
- Proper performance is dependent on proper ducting; make sure that a qualified and trained installer is used.
- Check with a qualified and trained installer or local codes for makeup air requirement, if any.
- Max. amp rating for hoods includes recommended ventilator kit rating; all products must be hard wired direct with 2-wire with ground.

Plan where the duct work will be located. Install proper-sized duct work, and roof or wall cap for the type of blower you are using. Recommended hood locations for the most common installations are shown. Adjust your measurements for various heights of ceilings, soffits, cabinets, or ranges/range tops.

## Check Framing



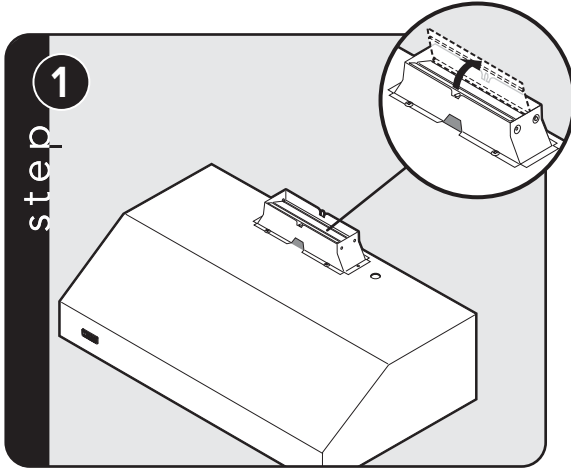
**NOTE:** Because of the weight of the hood make sure that the mounting screws are driven into the framing and not just the drywall. It may be necessary to drill additional holes in the canopy for proper alignment.



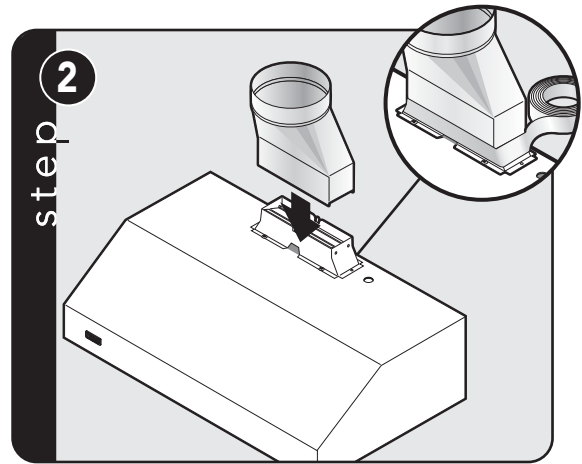
**NOTE:** Wall exhaust must be a minimum of 24" (61.0 cm) from ground. This may vary depending on local codes and geographic location.



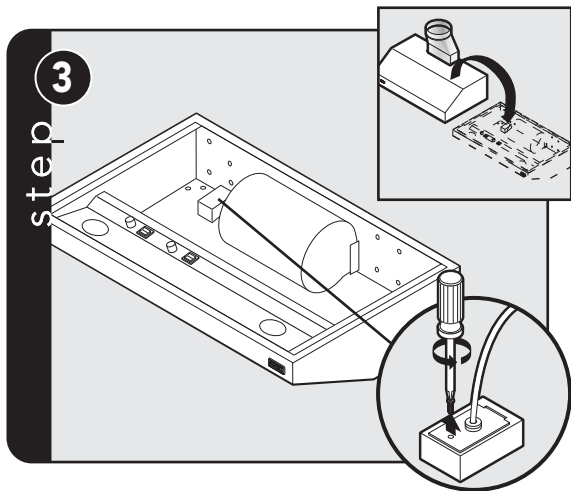
## Installation (VWH 10"H. Wall Hoods w/Standard Ventilator)



Check damper for unrestricted movement, adjust if necessary.



Attach transition to damper. Seal with aluminum tape.

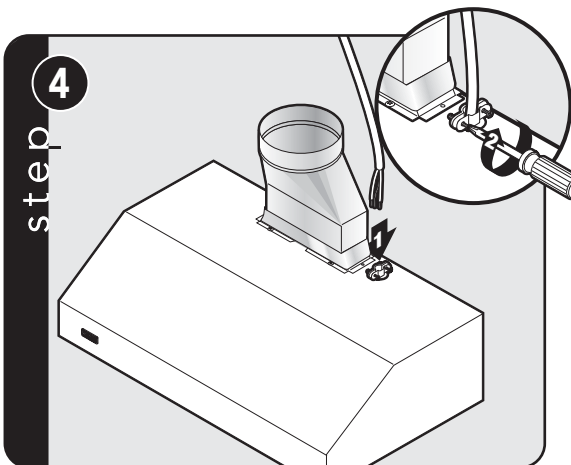


Flip hood over and remove electrical box cover.

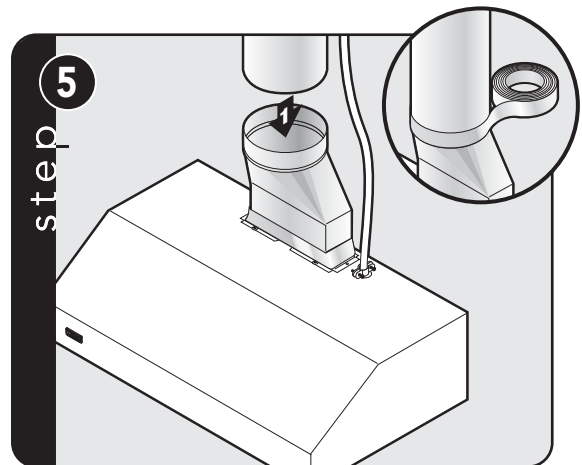
**⚠ WARNING**

To reduce the risk of fire, electric shock, or injury to persons, observe the following:

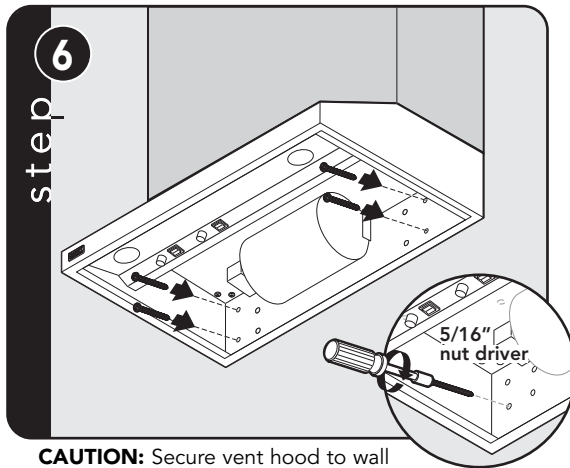
- Use this unit only in the manner intended by the manufacturer. If you have any questions, contact the manufacturer.
- Before servicing or cleaning unit, switch power off at service panel and lock service panel to prevent power from being switched on accidentally. When the service disconnecting means cannot be locked, securely fasten a prominent warning device, such as a tag, to the service panel.



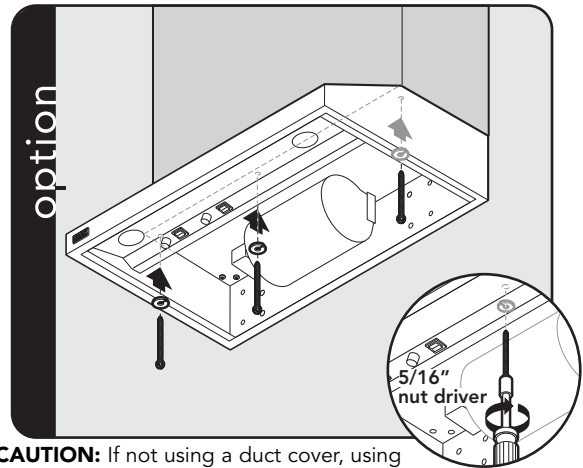
Insert 6" of electrical wiring through the top of vent hood and secure using wiring restraint. Refer to local codes.



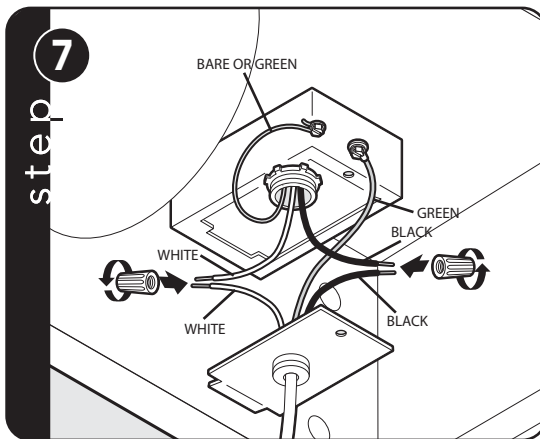
Slide duct over transition and tape around joint.



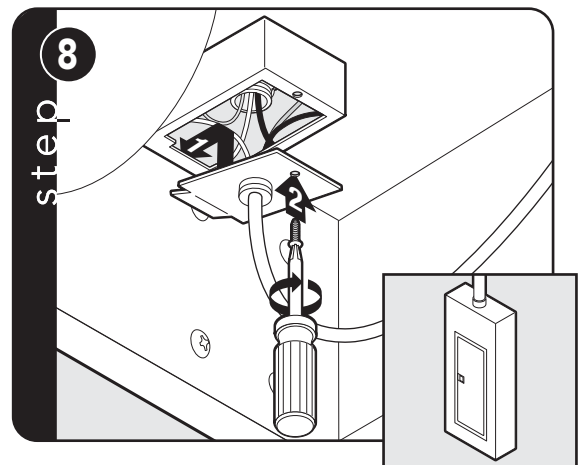
**CAUTION:** Secure vent hood to wall using screws provided. Use additional mounting screws and wall anchors, if necessary.



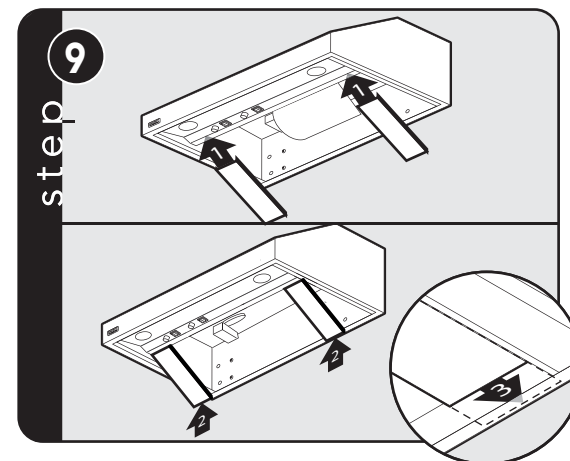
**CAUTION:** If not using a duct cover, using screws provided, make sure top mounting screws are secured into soffit or cabinet framing. Use additional mounting screws, if necessary.



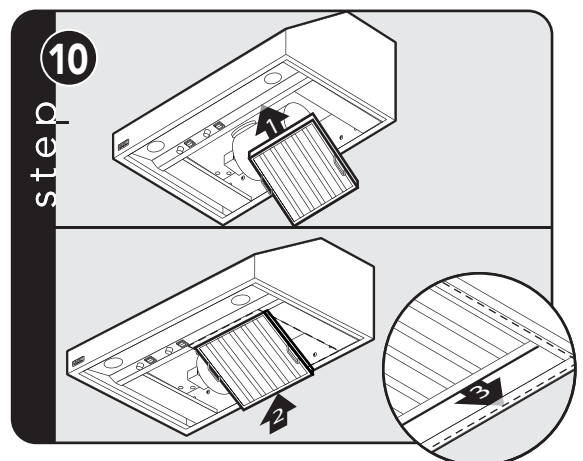
Connect black to black, white to white, and the green/bare wire under the green screw.  
**NOTE:** Housing wiring must be properly installed for wiring to be correct when wiring unit.



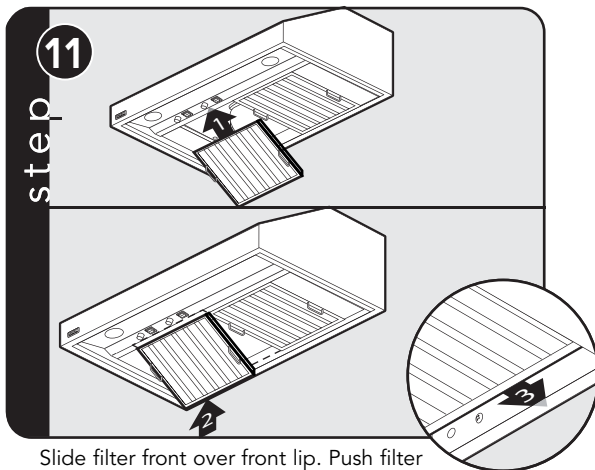
Replace electrical box cover. Make connection to breaker box.



Slide spacer front over front lip. Push spacer rear up, then slide back over rear lip.

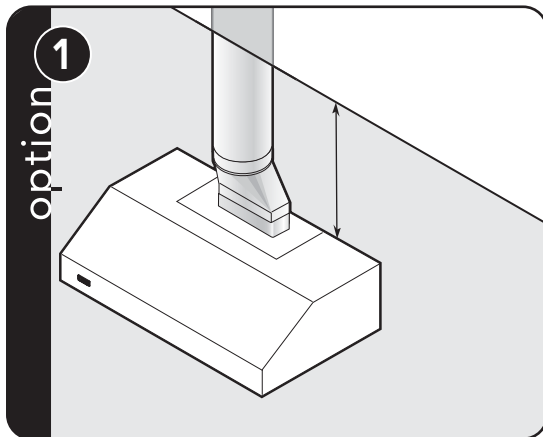


Slide filter front over front lip. Push filter rear up, then slide back over rear lip.

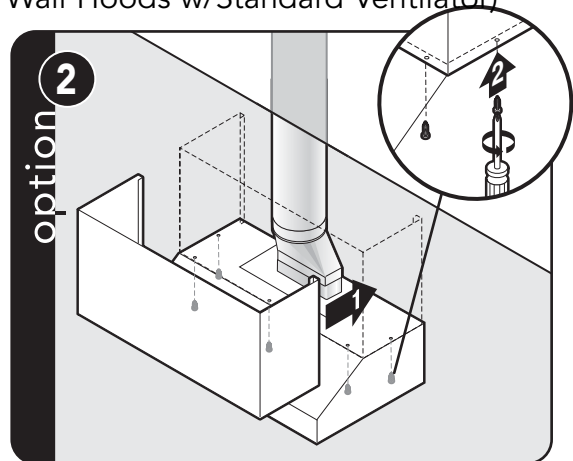


Slide filter front over front lip. Push filter rear up, then slide back over rear lip.

### Duct Cover Option (W/H 10"H. Wall Hoods w/Standard Ventilator)

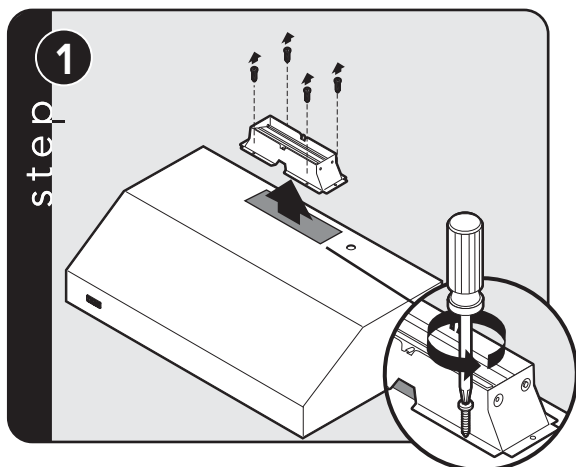


Measure distance from ceiling to canopy.

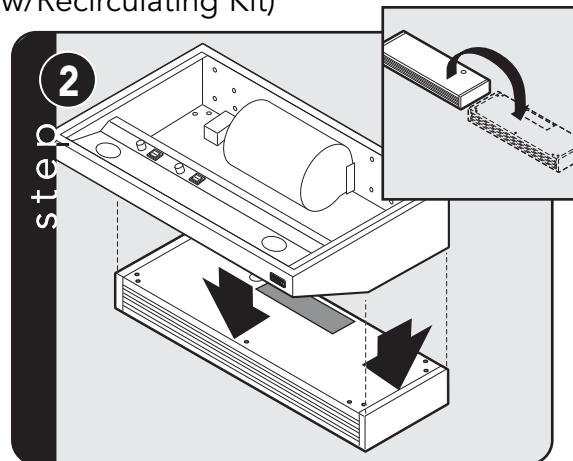


Slide the duct cover in place and fasten from inside canopy using the sheet metal screws provided.

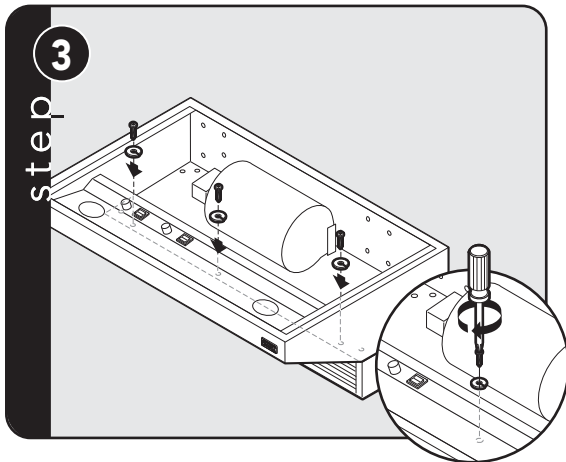
### Installation (W/H 10"H. Wall Hoods w/Recirculating Kit)



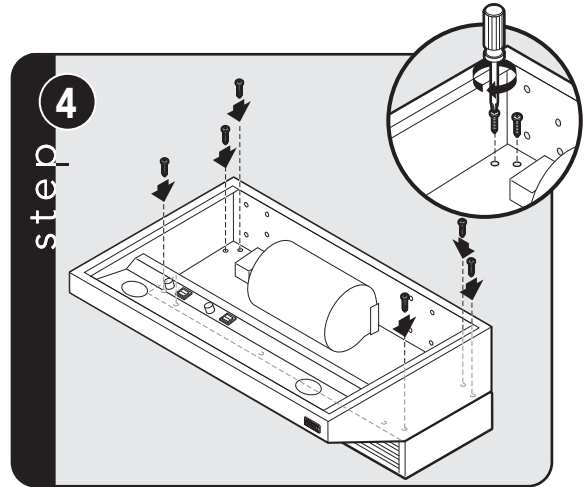
Remove damper and discard with transition.



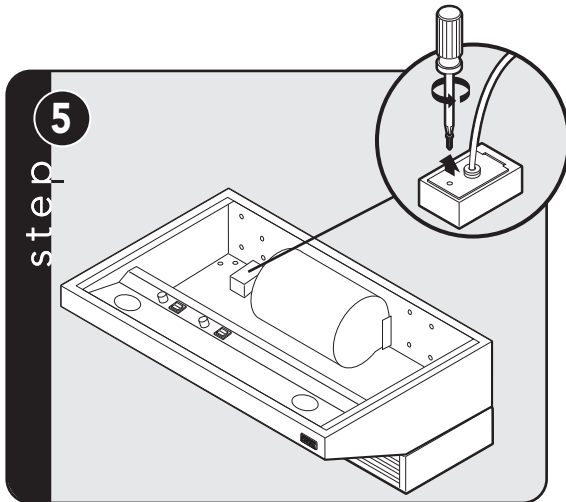
Turn recirculating unit upside down. Place vent hood upside down on recirculating unit.



Attach with screws and lock washers provided.



Attach with screws.

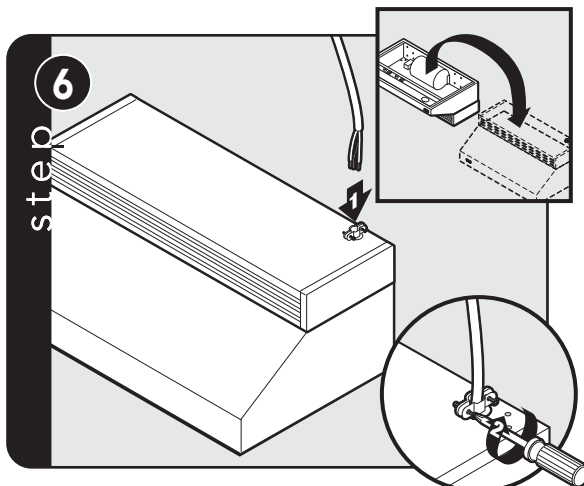


Remove electrical box cover.

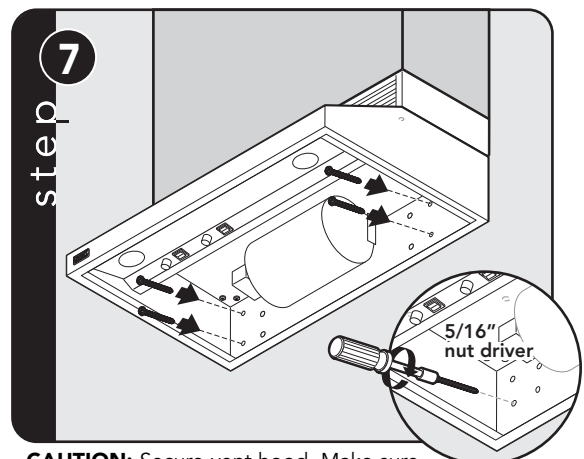
**⚠ WARNING**

**To reduce the risk of fire, electric shock, or injury to persons, observe the following:**

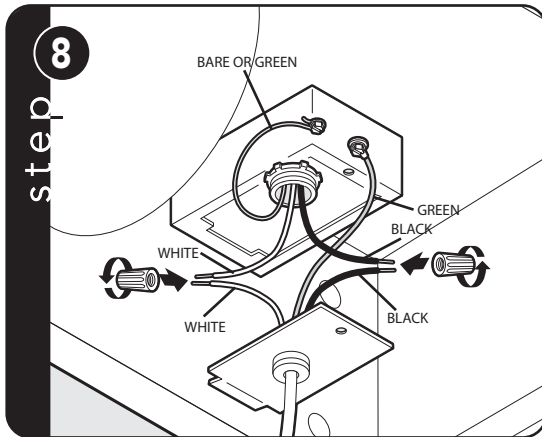
- Use this unit only in the manner intended by the manufacturer. If you have any questions, contact the manufacturer.
- Before servicing or cleaning unit, switch power off at service panel and lock service panel to prevent power from being switched on accidentally. When the service disconnecting means cannot be locked, securely fasten a prominent warning device, such as a tag, to the service panel.



Flip hood over. Insert 6" of electrical wiring through the top of vent hood and secure. Refer to local codes.

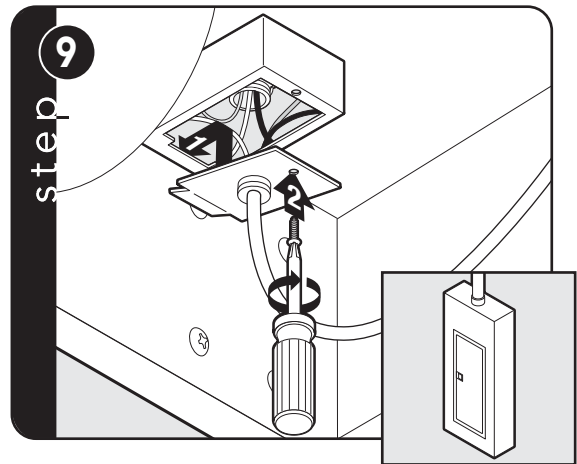


**CAUTION:** Secure vent hood. Make sure mounting screws are secured into framing. Use additional mounting screws and wall anchors, if necessary.



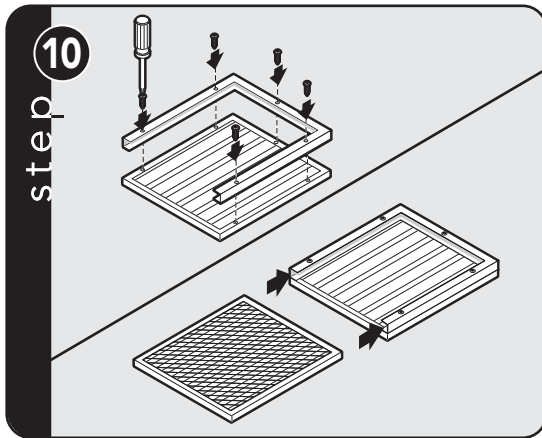
step 8

Connect black to black, white to white, and the green/bare wire under the green screw.  
**NOTE:** Housing wiring must be properly installed for wiring to be correct when wiring unit.



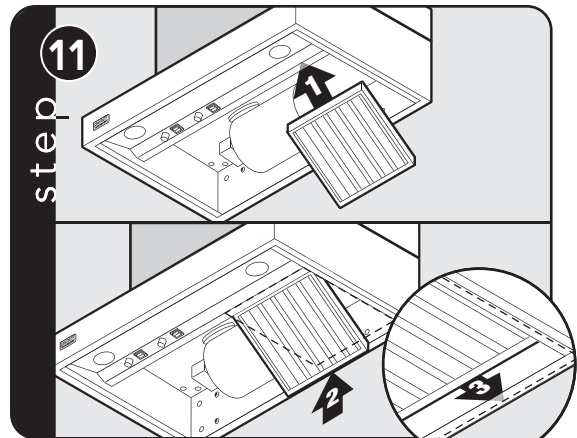
step 9

Replace electrical box cover. Make connection to breaker box.



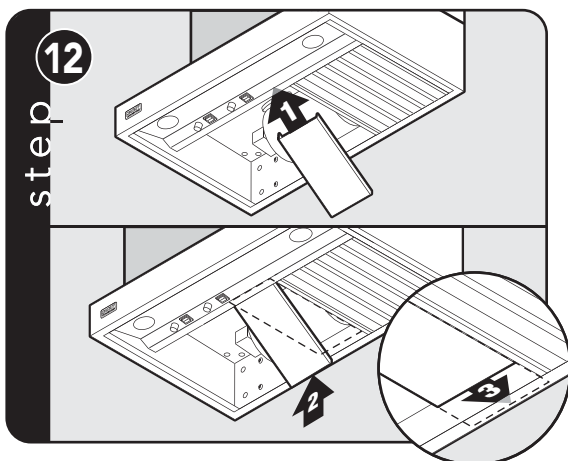
step 10

Assemble brackets to baffles and insert charcoal filters.



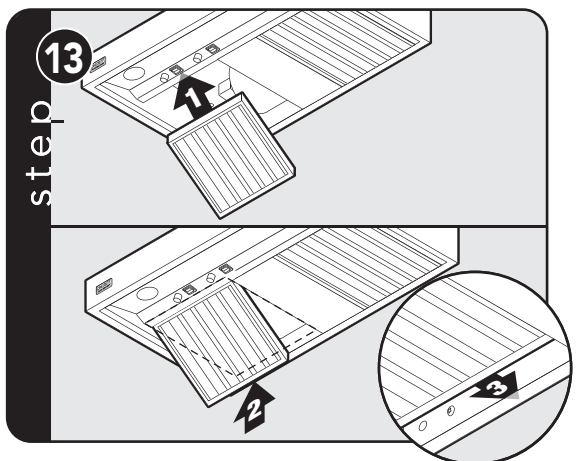
step 11

Slide filter front over front lip. Push filter rear up, then slide back over rear lip.



step 12

Slide spacer front over front lip. Push spacer rear up, then slide back over rear lip.



step 13

Slide filter front over front lip. Push filter rear up, then slide back over rear lip.

# Service & Registration

If service is required, call your dealer or authorized service agency.  
The name of the authorized service agency can be obtained from the dealer or distributor in your area.

Have the following information readily available.

- Model number
- Serial number
- Date purchased
- Name of dealer from whom purchased

Clearly describe the problem that you are having. If you are unable to obtain the name of an authorized service agency, or if you continue to have service problems, contact Viking Range, LLC at 1-888-(845-4641), or write to:

**VIKING RANGE, LLC  
PREFERRED SERVICE  
111 Front Street  
Greenwood, Mississippi 38930 USA**

**Record the information indicated below. You will need it if service is ever required.** The model and serial number for your hood is located behind the baffle filter on the left side panel in the lower right corner.

Model no. \_\_\_\_\_ Serial no. \_\_\_\_\_

Date of purchase \_\_\_\_\_ Date installed \_\_\_\_\_

Dealer's name \_\_\_\_\_

Address \_\_\_\_\_

\_\_\_\_\_

If service requires installation of parts, use only authorized parts to ensure protection under the warranty.

**THIS MANUAL SHOULD REMAIN WITH THE HOOD FOR FUTURE REFERENCE.**



Viking Range, LLC  
111 Front Street  
Greenwood, Mississippi 38930 USA  
(662) 455-1200

For product information, call 1-888-(845-4641)  
or visit our web site at [vikingrange.com](http://vikingrange.com)

