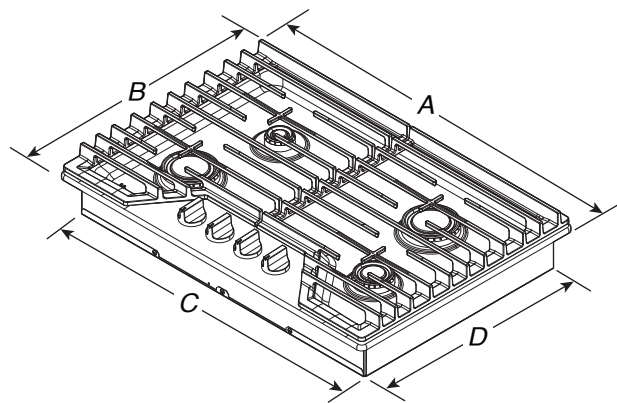


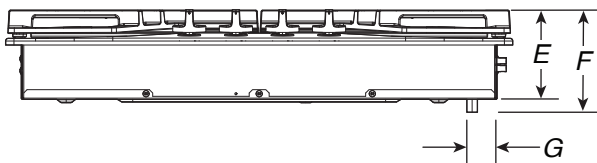
DIMENSION GUIDE

WHIRLPOOL® GAS COOKTOP
 PRODUCT: WCGK3030P, WCGK5030P

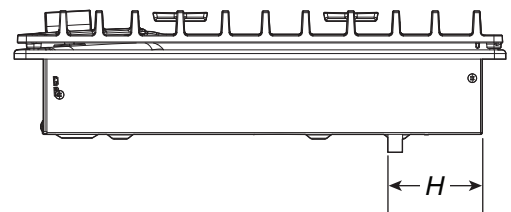
APPLIANCE:		30" ELECTRIC SINGLE WALL COOKTOP	
	Units	in	cm
A	Width of Cooktop	30	76.2
B	Length of Cooktop	21	53.3
C	Width of Burner Box	28 ³ / ₈	72.1
D	Length of Burner Box	18 ⁷ / ₈	48
E	Height of Burner Box	3 ¹ / ₄	8.2
F	Height of Burner Box (including Gas Inlet (Manifold))	4 ¹ / ₈	10.5
G	Width to Gas Inlet (Manifold) from edge	1 ¹ / ₂	3.8
H	Length to Gas Inlet (Manifold) from edge	3 ³ / ₄	9.5



ANGLED VIEW



FRONT VIEW



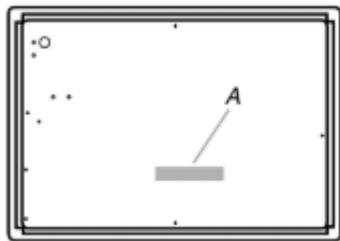
SIDE VIEW

IMPORTANT: Dimensional specifications are provided for planning purposes only. Do not make any cutouts based on this information. Refer to the Owner's Manual before selecting cabinetry, verifying electrical/gas connections, making cutouts or beginning installation.

Location Requirements

IMPORTANT: Observe all governing codes and ordinances. Do not obstruct flow of combustion and ventilation air.

- It is the installer's responsibility to comply with installation clearances specified on the model/serial/rating plate. The model/serial/rating plate is located on the underside of the cooktop base.



A. Model/serial/rating plate

- The cooktop must be a specified cooktop that is approved to be installed either alone or over an undercounter built-in oven. Check the cooktop base approved installation label for your cooktop model number and approved combinations of cooktops and ovens that can be installed. If you do not find this label, your cooktop may not be approved for use over an undercounter built-in oven. Contact your dealer to confirm that your cooktop is approved.
- Ovens approved for this type of installation will have an approval label located on the top of the oven. If you do not find this label, contact your dealer to confirm that your oven is approved. Refer to oven manufacturer's Installation Instructions for approval for built-in undercounter use and proper cutout dimensions.
- The cooktop should be installed in a location away from strong draft areas, such as windows, doors and strong heating vents or fans.
- All openings in the wall or floor where cooktop is to be installed must be sealed.
- Cabinet opening dimensions that are shown must be used. Given dimensions are minimum clearances.
- Grounded electrical supply is required. See "Electrical Requirements" section. Proper gas supply connection must be available. See "Gas Supply Requirements" section.
- The cooktop is designed to hang from the countertop by its side or rear flanges.
- The gas and electric supply should be located as shown in "Cabinet Dimensions" section so that they are accessible without requiring removal of the cooktop.
- Provide cutout in right rear corner of cutout enclosure as shown to provide clearance for gas inlet, power supply cord, and to allow the rating label to be visible.

IMPORTANT: To avoid damage, check with your builder or cabinet supplier to make sure that the materials used will not discolor, delaminate or sustain other damage.

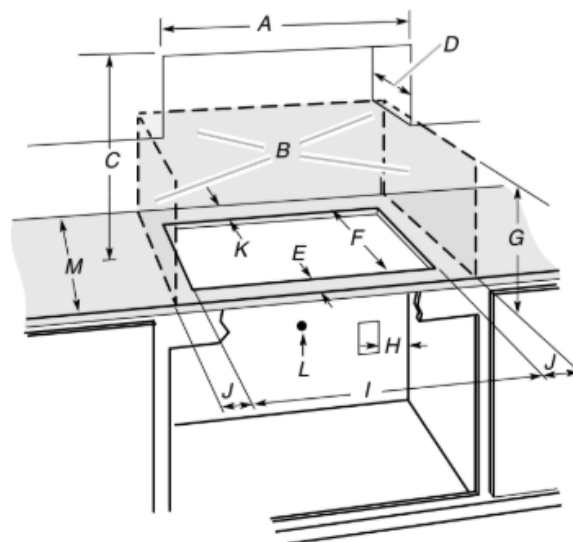
Mobile Home-Additional Installation Requirements

The installation of this cooktop must conform to the Manufactured Home Construction and Safety Standard, Title 24 CFR, Part 3280 (formerly the Federal Standard for Mobile Home Construction and Safety, Title 24, HUD Part 280). When such standard is not applicable, use the Standard for Manufactured Home Installations, ANSI A225.1/NFPA 501A or local codes.

In Canada, the installation of this range must conform with the current standards CAN/CSA-Z240.1, latest edition, or with local codes.

Cabinet Dimensions

IMPORTANT: If installing a range hood or microwave hood combination above the cooktop, follow the range hood or microwave hood combination installation instructions for dimensional clearances above the cooktop surface.




- A. 30" (76.2 cm) on 30" models; 36" (91.4 cm) on 36" models
- B. Combustible area above countertop (shown by dashed box above).
- C. 30" (76.2 cm) minimum clearance between top of cooktop platform and bottom of uncovered wood or metal cabinet (24" [61 cm] minimum clearance if bottom of wood or metal cabinet is covered by not less than 1/4" [6.4 mm] flame retardant millboard covered with not less than No. 28 MSG sheet steel, 0.015" [0.04 mm] stainless steel, or 0.024" [0.06 mm] aluminum or 0.020" [0.05 mm] copper).
- D. 13" (33 cm) recommended upper cabinet depth.
- E. 3 1/8" (7.9 cm)
- F. 19 1/2" (49.5 cm)
- G. 18" (45.7 cm) minimum clearance from upper cabinet to countertop within minimum horizontal clearances to cooktop.
- H. Grounded outlet: locate within 24" (61 cm) of right rear corner of cutout.
- I. 28 7/8" (73.4 cm) on 30" models; 34 5/16" (87.0 cm) on 36" models.
- J. For WCGK7530 models, the minimum distance to the left and right side combustible surfaces must be 12 1/2" (31.9 cm) and the minimum total distance between the left and right side combustible surfaces must be 78" (198.1 cm).
For WCGK7036 and WCGK7536 models, the minimum distance to the left or right side combustible surfaces must be 12 7/8" (32.7 cm) and the minimum total distance between left and right side combustible surfaces must be 84" (213.4 cm).
For all other 30" models, the distance must be 8 1/2" (21.6 cm) or more on each side. For all other 36" models, the distance must be 8 7/8" (22.5 cm) or more on each side.
- K. 2 7/8" (7.3 cm) minimum distance to rear combustible surface.
- L. Gas line opening-wall: anywhere 5" (12.7 cm) below underside of countertop. Cabinet floor: anywhere within 6" (15.2 cm) of rear wall is recommended.
- M. 25 1/2" (64.7 cm) minimum countertop depth is required.

NOTE: After making the countertop cutout, some installations may require notching down the base cabinet side walls to clear the cooktop base. To avoid this modification, use a base cabinet with sidewalls wider than the cutout.

If cabinet has a drawer, a 4" (10.2 cm) depth clearance from the countertop to the top of the drawer (or other obstruction) in base cabinet is required. The drawer depth may need to be shortened to avoid interfering with the regulator.

Electrical Requirements

⚠ WARNING



Electrical Shock Hazard

Plug into a grounded 3 prong outlet.

Do not remove ground prong.

Do not use an adapter.

Do not use an extension cord.

Failure to follow these instructions can result in death, fire, or electrical shock.

IMPORTANT: The cooktop must be electrically grounded in accordance with local codes and ordinances, or in the absence of local codes, with the National Electrical Code, ANSI/NFPA 70 or Canadian Electrical Code, CSA C22.1.

This cooktop is equipped with an electronic ignition system that will not operate if plugged into an outlet that is not properly polarized.

If codes permit and a separate ground wire is used, it is recommended that a qualified electrical installer determine that the ground path is adequate.


A copy of the above code standards can be obtained from:

National Fire Protection Association
1 Batterymarch Park
Quincy, MA 02169-7471
CSA International
8501 East Pleasant Valley Road
Cleveland, OH 44131-5575

- A 120 V, 60 Hz, AC only, 15 A, fused electrical circuit is required. A time-delay fuse or circuit breaker is also recommended. It is recommended that a separate circuit serving only this cooktop be provided.
- Electronic ignition systems operate within wide voltage limits, but proper grounding and polarity are necessary. Check that the outlet provides 120 V power and is correctly grounded.
- The wiring diagrams are provided with this cooktop. See the "Wiring Diagrams".

Gas Supply Requirements

⚠ WARNING



Explosion Hazard

Use a new CSA International approved gas supply line.

Install a shut-off valve.

Securely tighten all gas connections.

If connected to propane, have a qualified person make sure gas pressure does not exceed 14" (36 cm) water column.

Examples of a qualified person include: licensed heating personnel, authorized gas company personnel, and authorized service personnel.

Failure to do so can result in death, explosion, or fire.

Observe all governing codes and ordinances.

IMPORTANT: This installation must conform with all local codes and ordinances. In the absence of local codes, installation must conform with the National Fuel Gas Code, ANSI Z223.1/NFPA 54 or, in Canada, the Natural Gas and Propane Installation Code, CSA B149.1 - latest edition.

IMPORTANT: Leak testing of the cooktop must be conducted according to the manufacturer's instructions.

Type of Gas

Natural Gas:

This cooktop is factory set for use with Natural gas. If converting to Propane gas, see the following "Propane Gas Conversion" section. The model/serial/rating plate located on the underside of the cooktop base has information on the types of gas that can be used. If the types of gas listed do not include the type of gas available, check with the local gas supplier.

Propane Gas Conversion:

Conversion must be done by a qualified service technician. No attempt shall be made to convert the cooktop from the gas specified on the model/serial/rating plate for use with a different gas without consulting the serving gas supplier. See the Gas Conversion instructions provided in the package containing literature.