

WCOU24LX



| | |
|------------------|-----------------|
| Product Family | Wine cooler |
| Installation | Built-in |
| Built-In Niche | 60 cm |
| Reference width | 60 - 70 |
| Reference height | Higher than 200 |
| Defrost | Automatic |
| Cooling type | Fan-assisted |
| Hinge type | Self-balancing |
| Hinge position | Left |



Wine compartment features



| | |
|---|------|
| Number of removable shelves | 12 |
| Shelves material | Wood |
| Adjustable shelves | Yes |
| Removable shelves on telescopic guide rails | Yes |
| Type of internal light | LED |

Functions



| | | | |
|--------------------|--|------------------------|--------------|
| Control setting | Touch controls | Forced light on | Time-limited |
| Controls | Inside the cooler | Temperature Alarm | Yes |
| Display type | TFT | Door open alarm | Yes |
| Display functions | Holiday, Showroom mode, Sabbath mode, Temperature indication | Humidity level setting | Yes |
| Power-on indicator | Yes | | |

Technical Features

| | | | |
|------------------------------|---------|-----------------------|----------|
| Adjustable temperature zones | 2 | Number of compressors | 1 |
| Independent cooling systems | 2 | Compressor type | Standard |
| Number of door glasses | 3 | Refrigerant gas type | R600a |
| Temperature range | 40-65°F | Refrigerant quantity | 2.7 oz |
| | | Metal back panel | Metal |

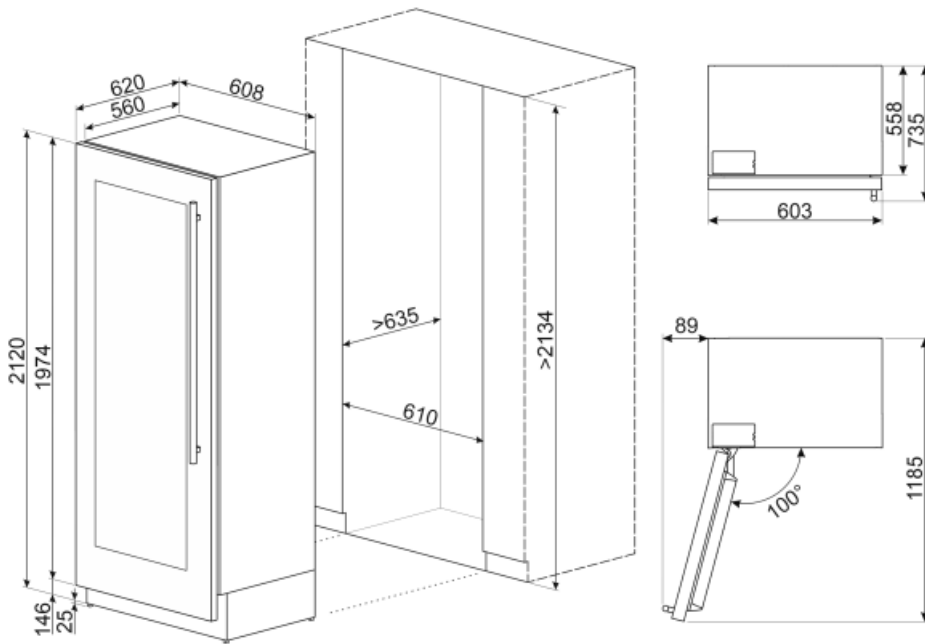
| | | | |
|--------------------------|------------|-------------------|-------------|
| Temperature setting type | Electronic | Adjustable feet | Yes |
| Anti-UV door glass | Yes | Door opening type | With handle |
| Antibacterial Gasket | Yes | | |

Performance / Energy Label NEW






| | | | |
|-------------------------------|----|--------------|----------|
| Max Capacity (bottles 0,75lt) | 78 | Total volume | 93.0 gal |
|-------------------------------|----|--------------|----------|

Electrical Connection

| | | | |
|-------------|--------------|-------------------|----------|
| Plug | (B) USA 120V | Frequency (Hz) | 60 Hz |
| Current | 2,5 A | Power cord length | 78 3/4 " |
| Voltage (V) | 115 V | | |



Symbols glossary (TT)

- | | | | |
|--|---|---|--|
|  | The automatic defrost system works by automatically defrosting at regular intervals eliminating the need to defrost altogether. |  | Ventilated: Forced distribution of cold air in the refrigerator compartment, which allows even temperature distribution within the fridge. |
|  | Power saving mode: The power saving mode allows you to disable the refrigerator and keep the freezer working. |  | LED interior lighting: is a more energy efficient and long lasting way of illuminating the interior of the appliance. |
|  | Touch controls: Easy to use touch controls allow the appliance to be programmed at the touch of a button. | | |