

# GAS CONVERSION INSTRUCTIONS

## NATURAL GAS TO LP GAS – FOR KIT# WE25X217

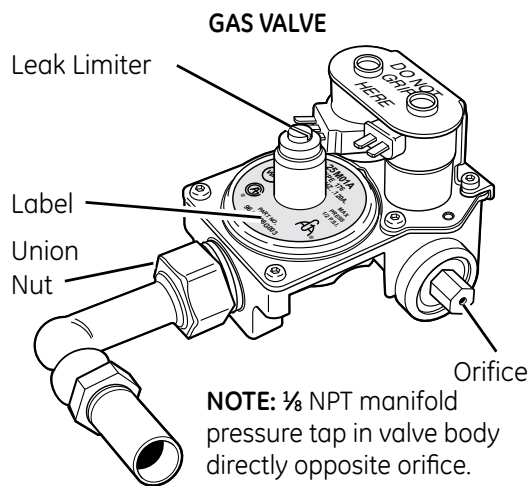
For use with all GE, HOTPOINT, and RCA models (except International) type 1 clothes dryers using Gas Valve model 25M01A type 176, base part number 964D498G---. Refer to Valve label for correct identification.

CHECK VALVE LABEL BEFORE BEGINNING CONVERSION.



**WARNING** -This conversion kit shall be installed by a General Electric distributor (or other qualified service agency) in accordance with the manufacturer's instructions and all applicable codes and requirements of the authority having jurisdiction. The information in these instructions must be followed to minimize the risk of fire or explosion or to prevent property damage, personal injury or death. The qualified service agency is responsible for the proper installation of this kit. The installation is not proper and complete until the operation of the converted appliance is checked as specified in the manufacturer's instructions supplied with the kit.

### Disconnect Valve and Burner Assembly



### THIS KIT CONTAINS THE FOLLOWING:

(1) #55 LP Gas Orifice. (0.052" diameter hole).  
**NOTE:** This orifice is for 22,000 BTU/Hr @ 11 inches water column manifold pressure on propane gas.

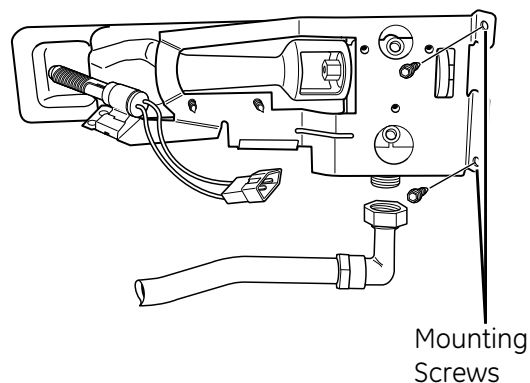
- (1) Air Shutter
- (1) SCR 6-19 PT HX 1/4 S
- (1) Conversion Rating Plate
- (1) Valve Conversion Decal
- (1) Responsibility Label
- (1) Regulator Blocker
- (1) Installation Instructions

**NOTE:** Clothes dryer input ratings are based on sea level operation and need not be changed for operation up to 2,000 feet elevation. For operation above 2,000 feet, input ratings should be reduced at the rate of 4 percent for each 1,000 feet above sea level.

### 1) BEFORE INSTALLING THIS KIT:

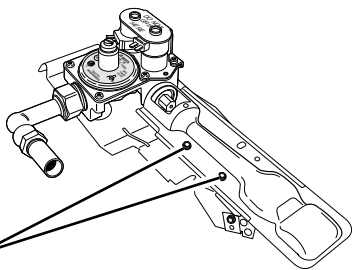
- a. Check the label on the valve — it must show model 25M01A Type 176 Base Part Number 964D498G---.
- b. Disconnect electrical power supply. Shut off gas supply line to dryer. Remove front panel and drum. (See the **FRONT PANEL REMOVAL INSTRUCTIONS** and the **DRUM REMOVAL INSTRUCTIONS** sections in this manual.)
- c. Disconnect valve and burner assembly at union nut.  
**NOTE: On models not equipped with an access door, it will be necessary to remove the front to access the burner assembly.**
- d. Disconnect electrical leads to valve and detector.
- e. Remove the valve bracket mounting screws.
- f. Lift rear of assembly enough to clear mounting flange, then slide toward rear of dryer about 1 inch to disengage lock-down tab. Now lift unit up to clear lock-down tab, and remove from dryer.

### Remove Valve Bracket Mounting Screws



## Remove Burner From Bracket

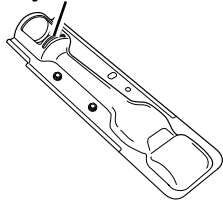
Remove 2 mounting screws



## Two Different Burner Types

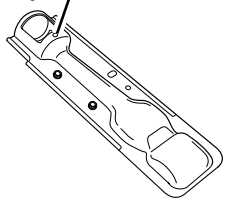
**TYPE A:**  
**ADJUSTMENT SLOT**

Slot to allow for air shutter adjustment



**TYPE B:**  
**HOLE ONLY**

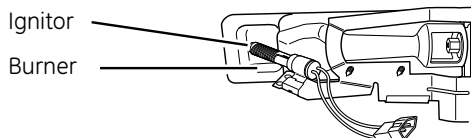
Hole only — not adjustable



## Reinstall the Burner

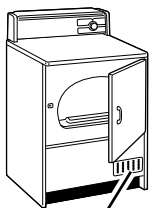
Ignitor & Burner

Ignitor must clear burner by at least  $\frac{1}{8}$ "

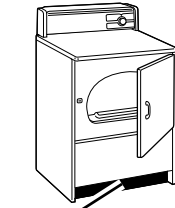


**NEVER USE AN OPEN FLAME TO CHECK FOR LEAKS!**

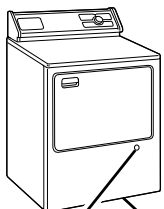
Depending on your dryer model, the burner flame and ignitor may be viewed by one of these methods:



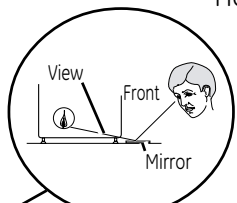
View Access Door



View  
Side View Hole



Front View Hole



View From Underneath

## 2) TO INSTALL KIT:

- a. Remove burner from bracket by removing two mounting screws.
- b. Remove natural gas orifice, and install LP orifice from kit.
- c. Check burner for type. Install Air shutter on burner with screw supplied from kit. For Type "A" burner, set air shutter at approximately half-way open. Tighten screw.
- d. Reattach the burner to bracket and tighten mounting screws.
- e. Remove leak limiter from regulator and install "BLOCKER" supplied with this kit. (This effectively blocks the regulator OPEN to allow the higher 11-inch manifold pressure required for LP Gases.)
- f. Apply Valve Conversion Decal to valve on flat surface near pressure tap plug noting: "THIS CONTROL HAS BEEN CONVERTED FOR USE WITH LP GASES."
- g. Reinstall the burner and valve assembly in reverse order of removal. Be sure burner bracket engages lock-down tab for proper location of the burner in the combustion chamber.
- h. Remove  $\frac{1}{8}$  NPT manifold pressure tap plug and install pressure gauge hose. The  $\frac{1}{8}$  NPT manifold pressure tap is in the valve body directly opposite the orifice.
- i. Turn on gas supply to dryer. Using a "BUBBLE" solution, check for leaks.  
**NOTE: Bubble solution should not contain ammonia, which can cause damage to brass pipes and/or fittings.**
- j. Reinstall front of dryer, and reconnect electrical power to dryer.
- k. Check manifold pressure. Adjustments must be made at supply regulator for LP GASES. For LP-GASES, manifold pressure should be 11.0 inches water column. (May be as high as 13.0 inches if multiple appliances are connected to a single source. Dryer motor must be running and door shut. Burner should be burning during this test.)
- l. Operate dryer and observe flame. The flame should be blue-white and have small yellow tails.
- m. Disconnect electrical power.
- n. Remove test equipment.
- o. Reinstall  $\frac{1}{8}$  NPT plug to manifold tap, and check for leaks.
- p. Reconnect electrical power to dryer.
- q. Operate dryer and check that it is heating.

## 3) LABELS:

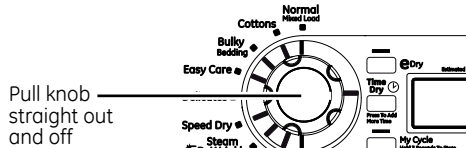
Open dryer door and apply "CONVERSION RATING PLATE" adjacent to the existing plate. Apply "RESPONSIBILITY" label, with all information required, in the same area.

# FRONT PANEL REMOVAL INSTRUCTIONS

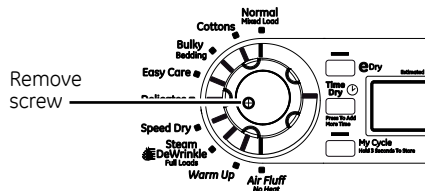
## FRONT PANEL REMOVAL INSTRUCTIONS ON MODELS WITH CONTROLS ON THE FRONT OF THE DRYER (LOCATED DIRECTLY ABOVE THE DRYER DOOR).

Skip to page 5 for front panel removal instructions on models with controls located at the back (on the backsplash).

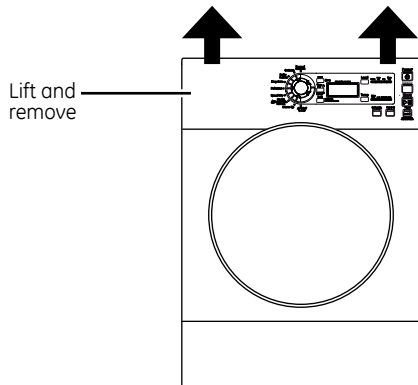
1. Disconnect the dryer from the house power supply.
2. Disconnect the gas inlet from the dryer. Unscrew gas flexible connector or gas pipe line.
3. Remove the rotary knob by pulling it straight out.



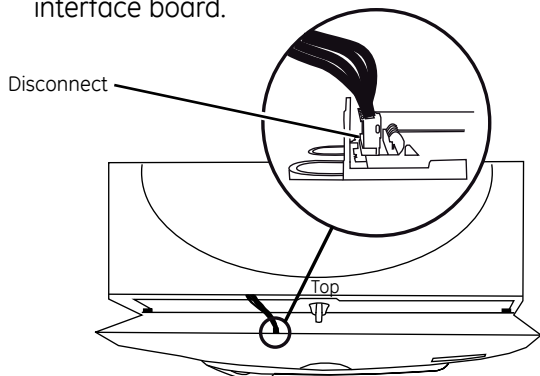
4. Remove the Phillips-head screw located inside the control knob recess.



5. Raise the control panel vertically to disengage the four key slots from the four metal grommets.

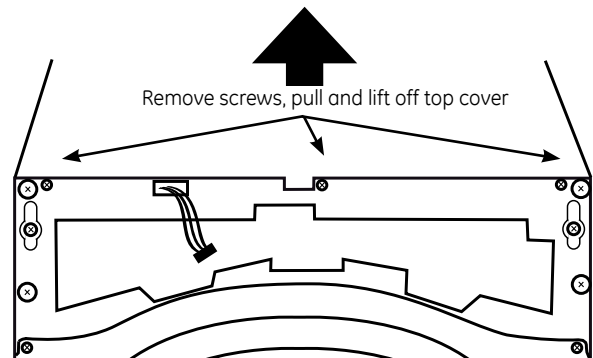


6. Disconnect the wire harness from the user interface board.



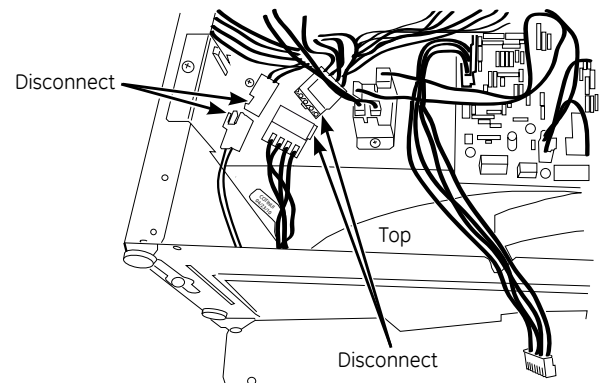
**NOTE:** To avoid marring the control panel, place the panel face up on a protective surface.

7. Remove the seven screws along the top of the dryer holding the metal shield. Lift the front of the top cover, pull and remove it.

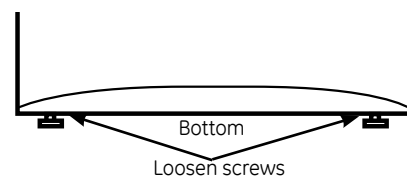


### NOTES:

- The location of the seven screws may vary by model.
  - Do not remove yet, the two lower screws holding the front.
8. Disconnect the door switch wire harness and the sensor rod wire harness.



9. Loosen, but do not remove, the two Phillips-head screws that attach the bottom of the front panel to the frame.

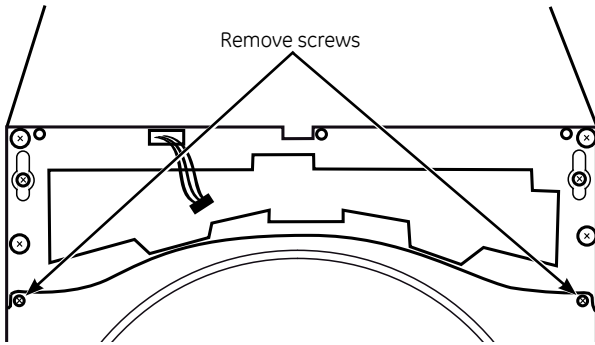


# FRONT PANEL REMOVAL INSTRUCTIONS

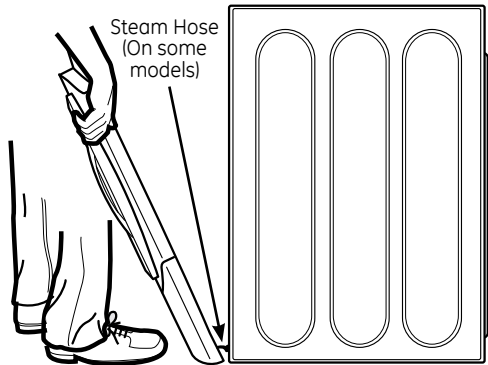
## FRONT PANEL REMOVAL INSTRUCTIONS ON MODELS WITH CONTROLS ON THE FRONT OF THE DRYER (LOCATED DIRECTLY ABOVE THE DRYER DOOR).

Skip to page 5 for front panel removal instructions on models with controls located at the back (on the backsplash).

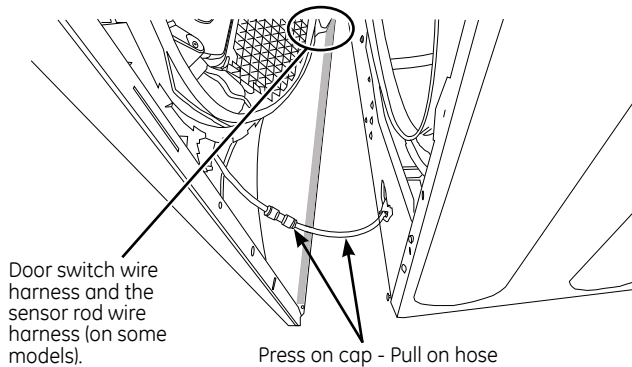
10. Remove 2 Phillips-head screws from the top of the front panel.



11. Grasp the front panel on both sides, tilt it out, and pull it up. **NOTE:** If dryer has a steam hose it must be disconnected before the front panel can be moved away from the unit.



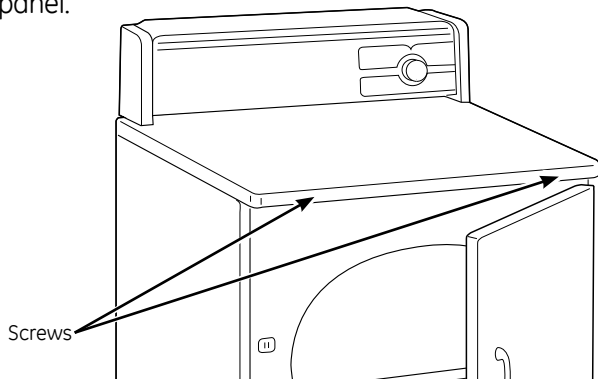
12. On models with a steam hose, disconnect it by pressing in on the locking cap and pull hose free. Once disconnected, the front panel may be remove completely.



# FRONT PANEL REMOVAL INSTRUCTIONS

## FRONT PANEL REMOVAL INSTRUCTIONS ON MODELS WITH CONTROLS LOCATED AT THE BACK (ON THE BACKSPLASH).

1. Disconnect the dryer from the house power supply.
2. Disconnect the gas inlet from the dryer. Unscrew gas flexible connector or gas pipe line.
3. Open door and remove the two screws under the top panel.
4. Remove the top panel.
5. Complete steps 11 and 12 on page 4. Before completely removing the front, disconnect the door switch wire harness and the sensor rod wire harness.



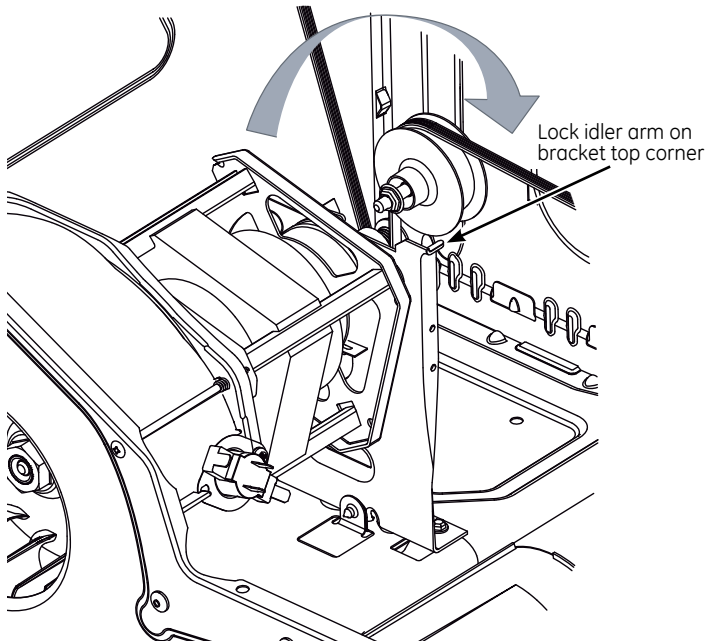
# DRUM REMOVAL INSTRUCTIONS

## DRUM REMOVAL INSTRUCTIONS FOR ALL MODELS.

1. Remove the front panel.

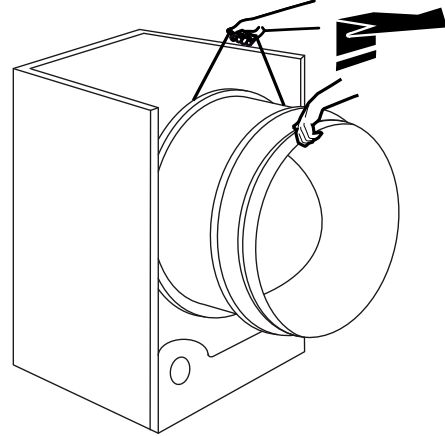
**CAUTION:** Before moving to the next step, be aware that the idler arm is under tension. To prevent injury, do not let the idler snap back.

2. Reach under the left-hand side of the drum, push the idler arm pulley down and to the right, and lock the idler arm on the top corner of the motor bracket to release the belt tension. (See illustration - Drum removed for clarity).



3. Remove the belt from the motor pulley and pull it through the front of the dryer.

4. Using the belt as a handle, pull the drum forward and guide out of the cabinet.

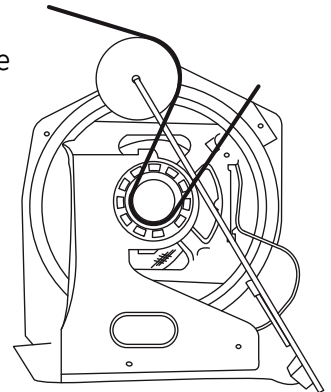


5. To reinstall the drive belt, reach under the left-hand side of the drum, push the idler arm pulley down and to the right, and lock the idler arm on the top corner of the motor bracket.

6. Place the belt around the drum in the back groove. Using the belt as a handle, install the drum by guiding its shaft into the bearing.

7. Place the belt in position around the motor pulley (see illustration), release the idler pulley from the motor bracket, and guide it onto the belt.

**NOTE:** Check to make sure the belt is in place and not twisted before installing the top and the front panels.



# NOTES

---

# NOTES

---