



Dimension Guide Whirlpool® Dryer with AutoDry™ Drying System - 7.0 cu. ft.

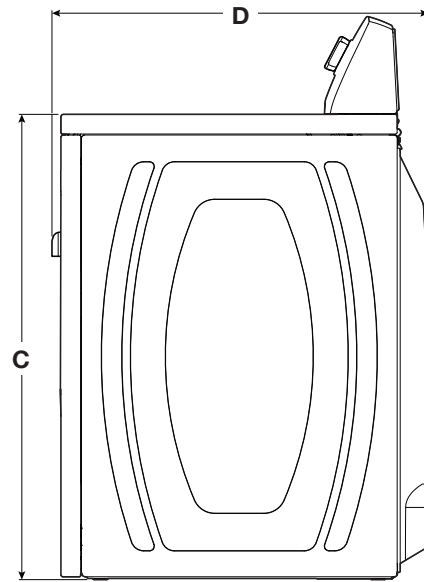
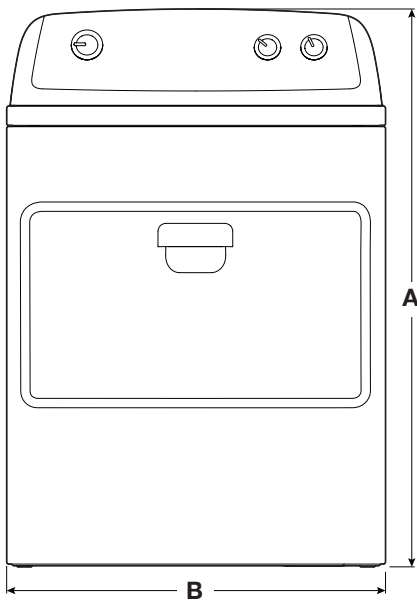
White
Available
YWED4850HW - Electric
WED4850HW - Electric
WGD4850HW - Gas



DETAILED PLANNING DIMENSIONS

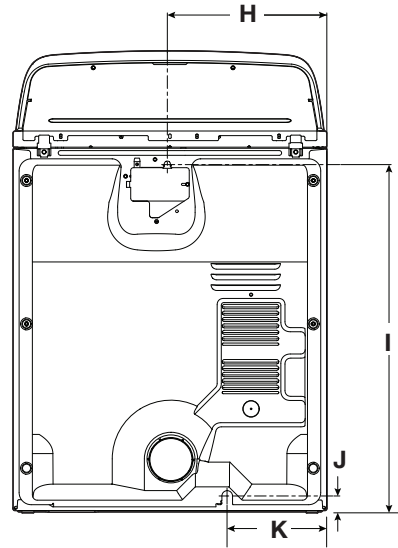
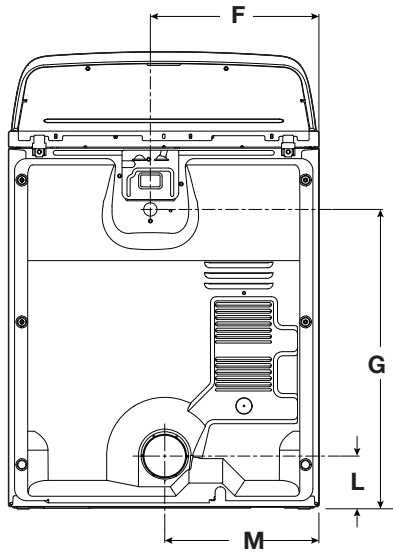
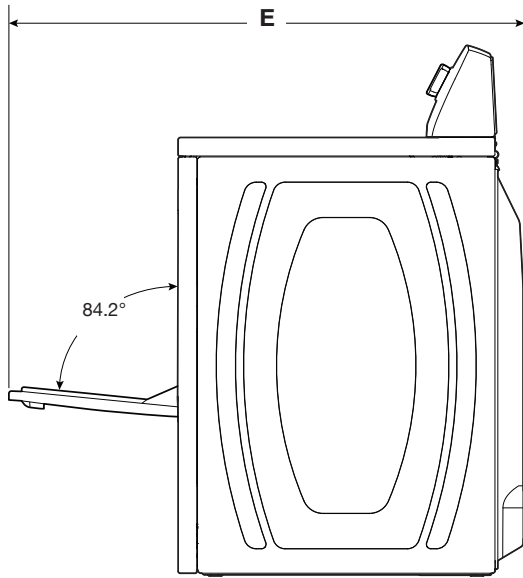
WARNING: To reduce the risk of fire, electric shock, or injury to persons, read the IMPORTANT SAFETY INSTRUCTIONS and INSTALLATION INSTRUCTIONS, located in your appliance's Owner's Manual, before installing and operating this appliance.

Electrical Requirements		
Fuel Type	Electric	Gas
Minimum Circuit Amperage Rating	30 A	15 A
Maximum AMP Draw	26 A 24 A (Canada)	6 A
Operating Voltage	240 V AC only 230 V AC only (Canada)	120 V AC only
Operating Frequency	60 Hz	



Product Dimensions					
		in (min)	in (max)	mm (min)	mm (max)
A	Height (with feet)	$42\frac{13}{16}$	$44\frac{1}{2}$	1088	1129
B	Width	29	-	737	-
C	Top Height (with feet)	$35\frac{3}{8}$	$37\frac{1}{8}$	900	941
D	Depth	$28\frac{3}{8}$	-	722	-

DETAILED PLANNING DIMENSIONS



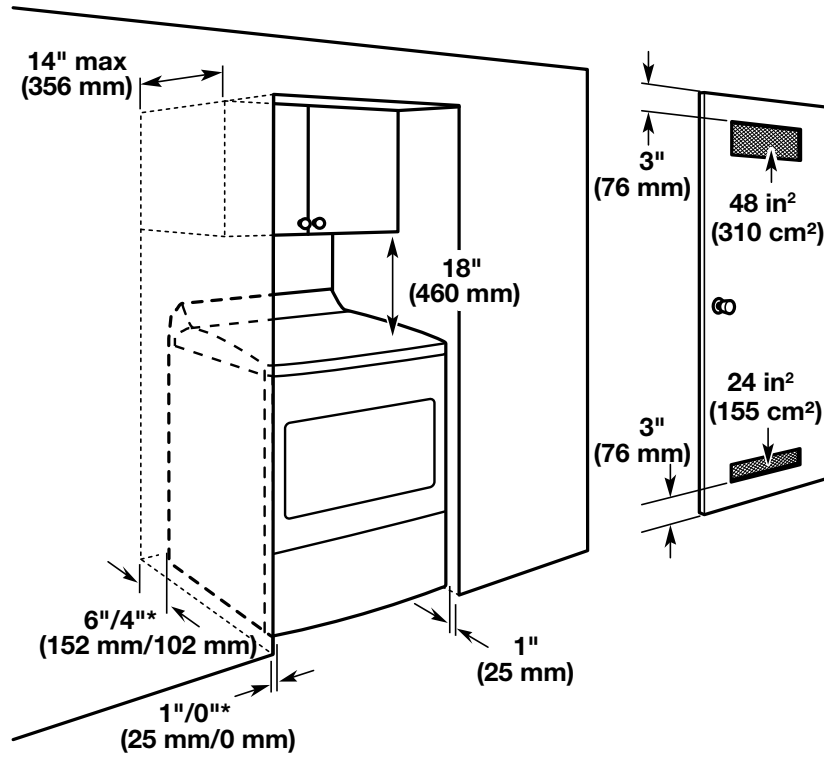
Product Dimensions					
		in (min)	in (max)	mm (min)	mm (max)
E	Depth with Door Open	41 ¹¹ / ₁₆	-	1059	-
F	Strain Relief from Side (elec)	15 ¹³ / ₁₆	-	400	-
G	Strain Relief Height (elec)	28 ¹ / ₈	29 ¹¹ / ₁₆	714	755
F	Power Cord from Side (Canadian)	15 ¹³ / ₁₆	-	400	-
G	Power Cord Height(Canadian)	28 ¹ / ₈	29 ¹¹ / ₁₆	714	755
	Power Cord Length(Canadian)	52 ³ / ₈	-	1330	-
H	Power Cord from Side (gas)	14 ¹³ / ₁₆	-	375	-
I	Power Cord Height (gas)	32 ³ / ₈	34	822	863
	Power Cord Length (gas)	57 ³ / ₄	-	1467	-
J	Gas Valve Height	1 ¹¹ / ₁₆	3 ⁵ / ₁₆	43	84
K	Gas Valve from Side	9 ³ / ₁₆	-	234	-
L	Exhaust Duct Height	5 ¹ / ₈	6 ¹¹ / ₁₆	128	170
M	Exhaust Duct from Side	14 ³ / ₈	-	366	-

DETAILED PLANNING DIMENSIONS

Spacing for recessed area or closet installation

The dimensions shown are for the recommended spacing allowed.

- Additional spacing should be considered for ease of installation and servicing.
- Additional clearances might be required for wall, door, and floor moldings.
- Additional spacing of 1" (25 mm) on all sides of the dryer is recommended to reduce noise transfer.
- For closet installation, with a door, minimum ventilation openings in the top and bottom of the door are required. Louvered doors with equivalent ventilations openings are acceptable.
- Companion appliance spacing should also be considered.



*Recommended/Minimum spacing