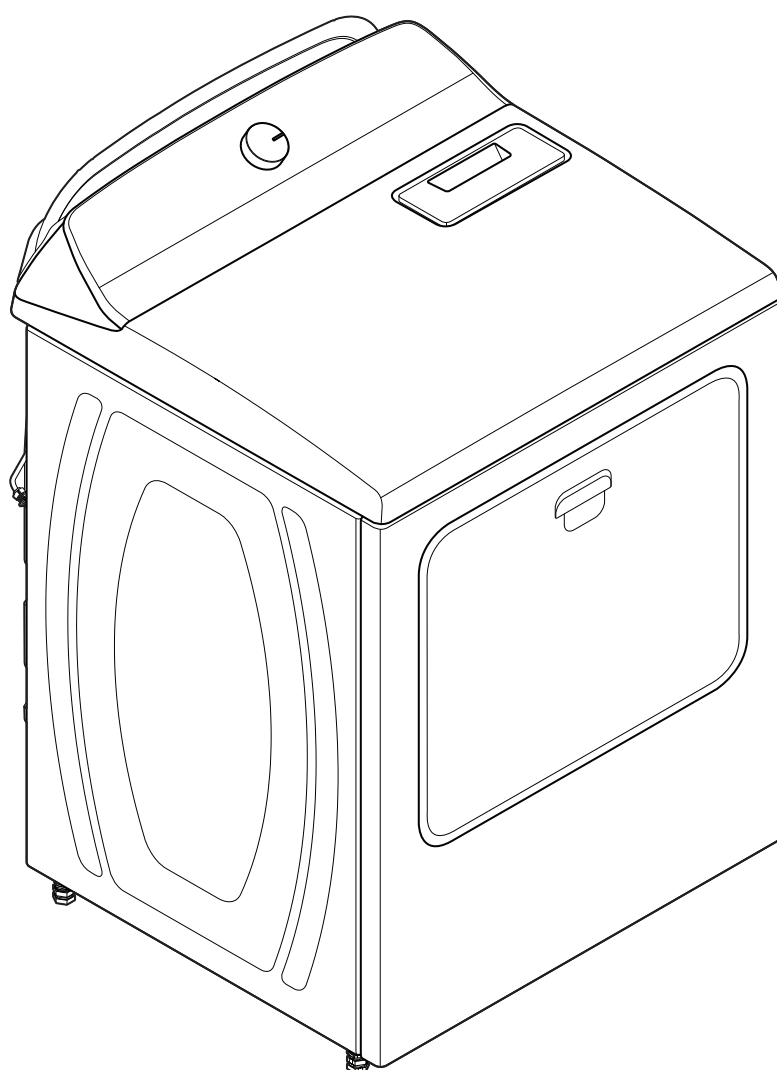


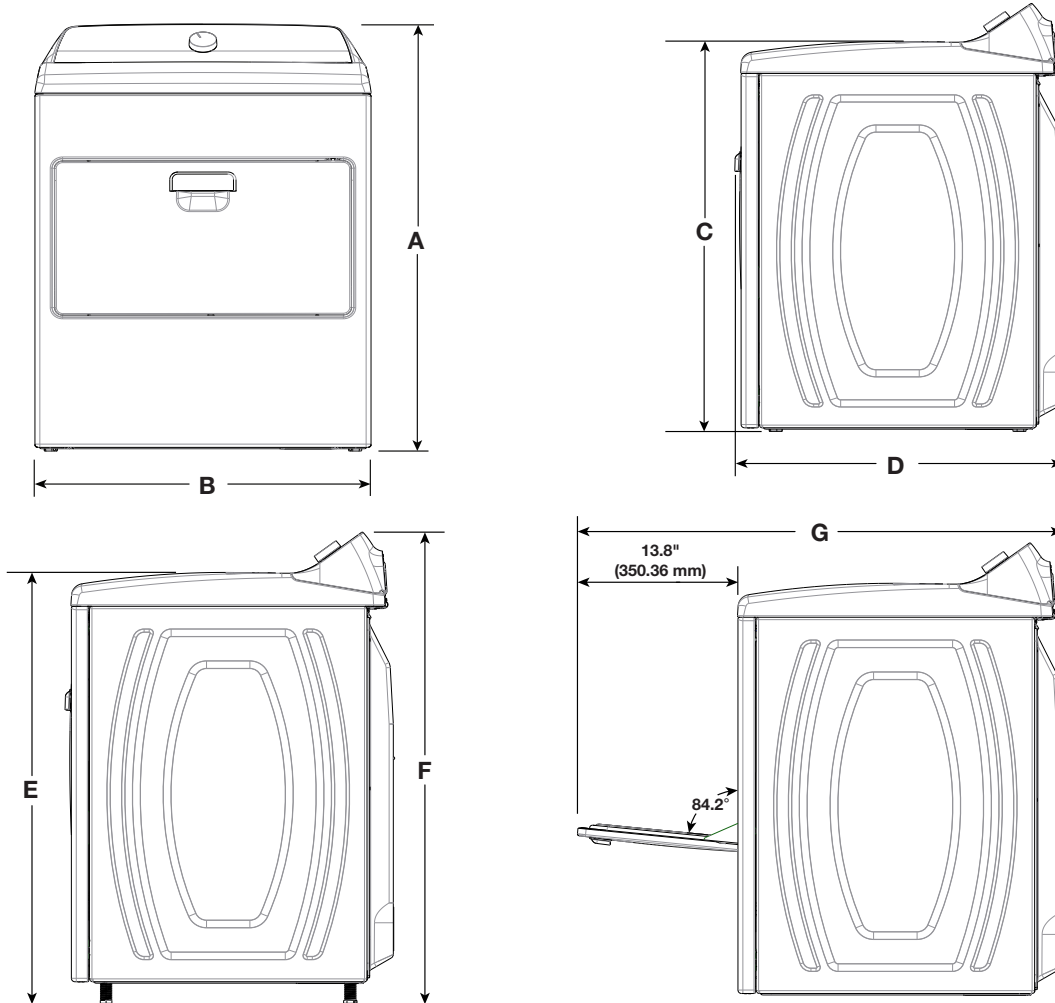
WED5010LW, WED500RMW, WED500RLW0 - Electric
WGD5010LW, WGD500RLW - Gas



DETAILED PLANNING DIMENSIONS

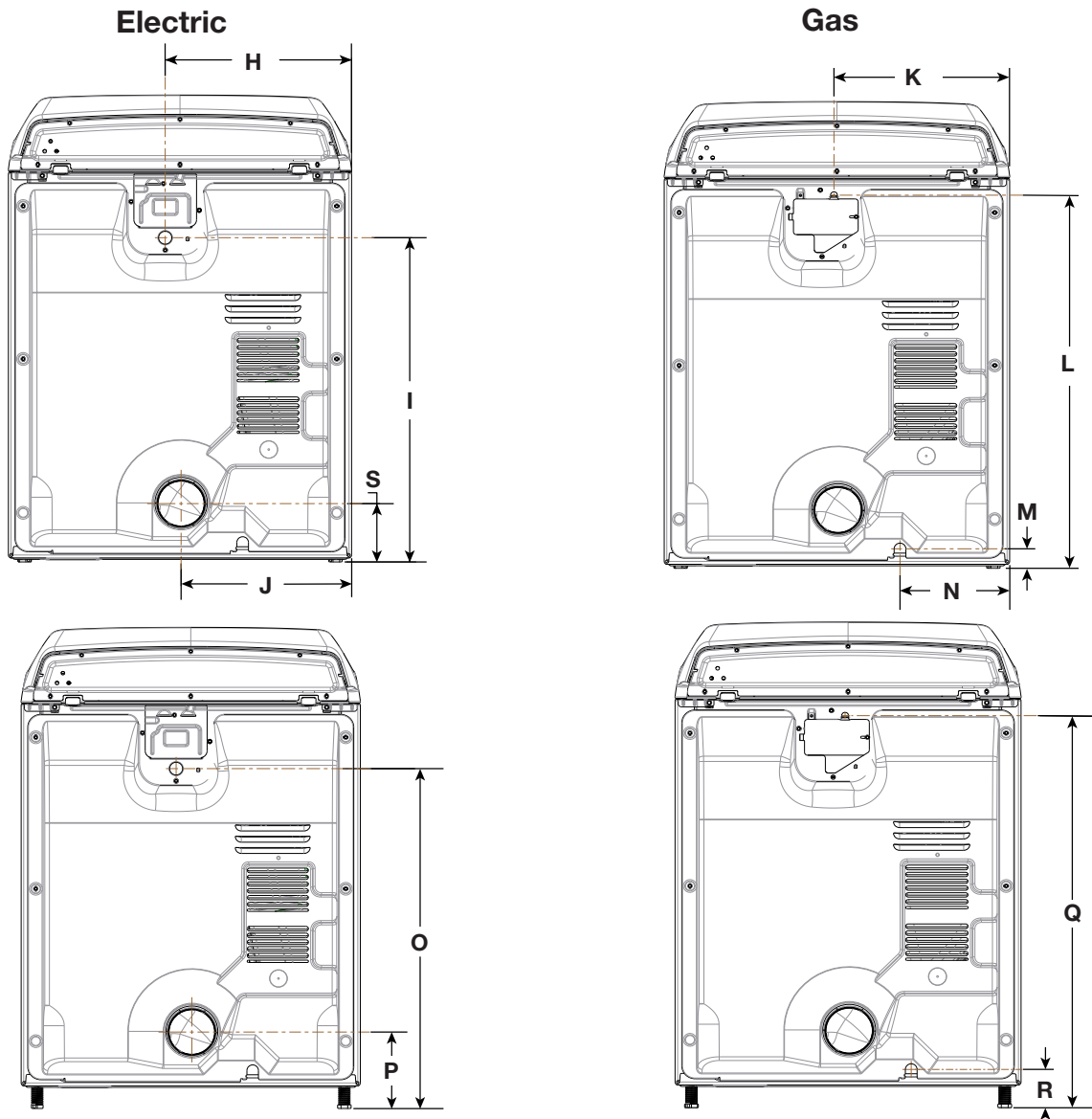
WARNING: To reduce the risk of fire, electric shock, or injury to persons, read the IMPORTANT SAFETY INSTRUCTIONS and INSTALLATION INSTRUCTIONS, located in your appliance's Owner's Manual, before installing and operating this appliance.

| Electrical Requirements | | |
|---------------------------------|---------------------|-----------------|
| Fuel Type | Electric | Gas |
| Minimum Circuit Amperage Rating | 30 A | 15 A |
| Maximum AMP Draw | 26 A | 6 A |
| Operating Voltage | 120/240 V - AC only | 120 V - AC only |
| Current Canada Rating | 24 A | |
| Operating Frequency | 60 Hz | |



| Product Dimensions | | | |
|--------------------|--|-----|------|
| | | in | mm |
| A | Height (With leveling legs not extended) | 40½ | 1028 |
| B | Width | 29 | 737 |
| C | Top Height (with min. feet) | 36⅞ | 937 |
| D | Depth | 28⅞ | 722 |
| E | Top Height (With leveling legs fully extended) | 38½ | 978 |
| F | Height (With leveling legs fully extended) | 42⅞ | 1069 |
| G | Depth with Door Open | 41⅞ | 1059 |

DETAILED PLANNING DIMENSIONS



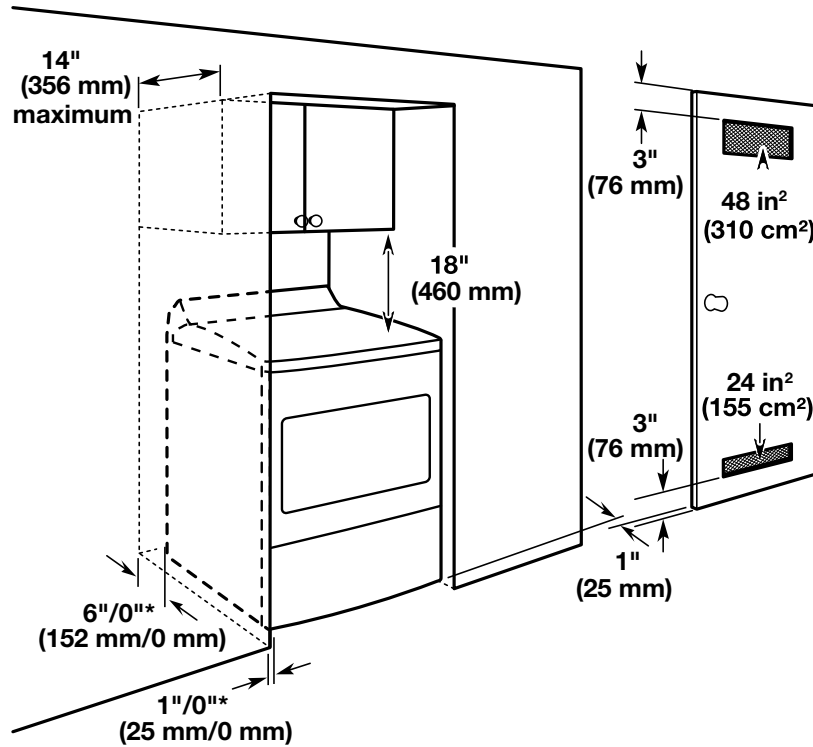
| Product Dimensions | | | |
|--------------------|---|---------------------------------|------|
| | | in | mm |
| H | Strain Relief from Side (electric) | 15 ³ / ₄ | 400 |
| I | Strain Relief Height (electric) (With leveling legs not extended) | 28 ¹ / ₈ | 714 |
| J | Exhaust Duct from Side | 14 ⁷ / ₁₆ | 366 |
| K | Power Cord from Side (gas) | 14 ³ / ₄ | 375 |
| L | Power Cord Height (gas) | 32 ³ / ₈ | 822 |
| M | Gas Connection (With leveling legs not extended) | 1 ¹¹ / ₁₆ | 43 |
| N | Gas Connection from Side | 9 ⁹ / ₁₆ | 234 |
| O | Strain Relief Height (electric) (With leveling legs fully extended) | 29 ³ / ₄ | 755 |
| P | Exhaust Duct Height (With leveling legs fully extended) | 6 ¹¹ / ₁₆ | 170 |
| Q | Power Cord Height (gas) | 34 | 863 |
| R | Gas Connection (With leveling legs fully extended) | 3 ⁵ / ₁₆ | 84 |
| S | Exhaust Duct Height (With leveling legs not extended) | 5 ¹ / ₁₆ | 128 |
| | Gas Power Cord Length | 60 | 1525 |

DETAILED PLANNING DIMENSIONS

Spacing for recessed area or closet installation

The dimensions shown are for the recommended spacing allowed.

- Additional spacing should be considered for ease of installation and servicing.
- Additional clearances might be required for wall, door, and floor moldings.
- Additional spacing of 1" (25 mm) on all sides of the dryer is recommended to reduce noise transfer.
- For closet installation, with a door, minimum ventilation openings in the top and bottom of the door are required. Louvered doors with equivalent ventilations openings are acceptable.
- Companion appliance spacing should also be considered.



*Recommended/Minimum spacing