



Dimension Guide Whirlpool® Dryer with Intuitive Cotrols - 7.4 cu. ft.

White

Available

YWED560LHW - Electric

WED560LHW - Electric

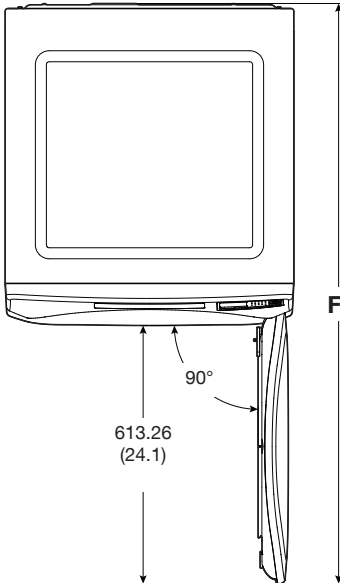
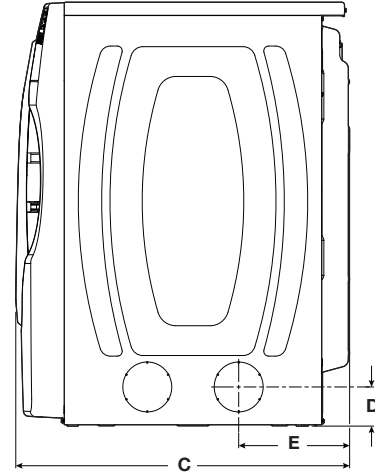
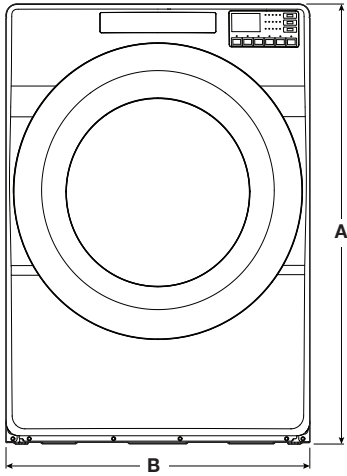
WGD560LHW - Gas



DETAILED PLANNING DIMENSIONS

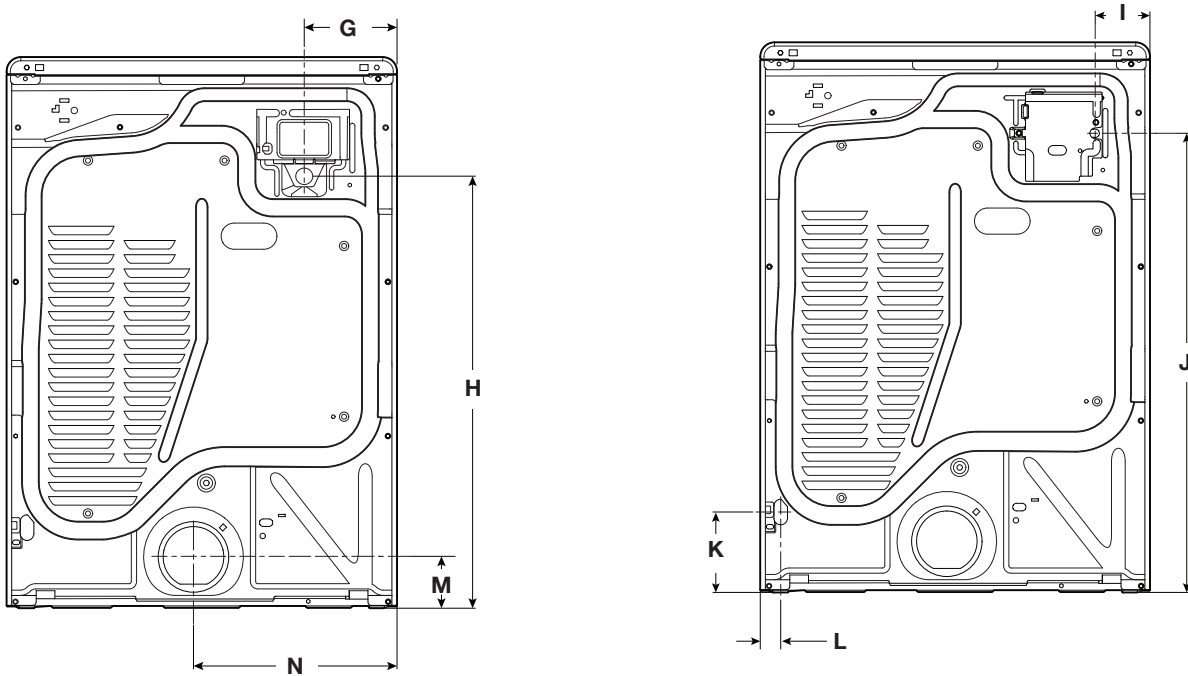
WARNING: To reduce the risk of fire, electric shock, or injury to persons, read the IMPORTANT SAFETY INSTRUCTIONS and INSTALLATION INSTRUCTIONS, located in your appliance's Owner's Manual, before installing and operating this appliance.

Electrical Requirements		
Fuel Type	Electric	Gas
Minimum Circuit Amperage Rating	30 A	15 A
Maximum AMP Draw	26 A 24 A (Canada)	6 A
Operating Voltage	240 V AC only 230 V AC only (Canada)	120 V AC only
Operating Frequency	60 Hz	



Product Dimensions					
		in (min)	in (max)	mm (min)	mm (max)
A	Height (with feet)	38 ¹ / ₈	39	968	989
B	Width	27	-	686	-
C	Depth	30 ⁵ / ₈	-	778	-
D	Side Vent Height (feet min)	3 ¹ / ₂	4 ³ / ₈	89	111
E	Side Vent (from back)	10 ³ / ₁₆	-	258	-
F	Depth with Door Open	54 ⁵ / ₁₆	-	1378	-

DETAILED PLANNING DIMENSIONS



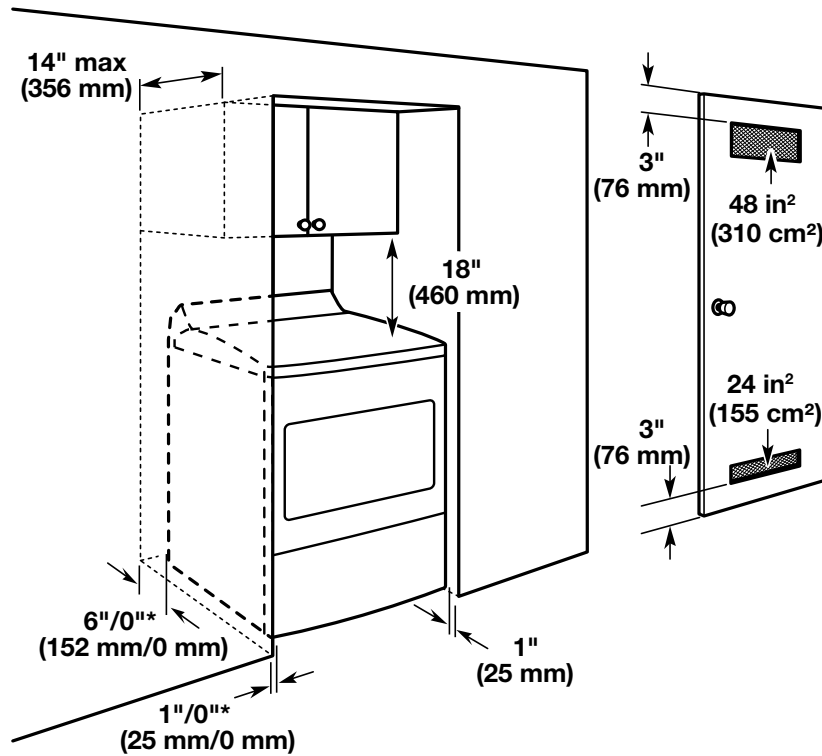
Product Dimensions					
		in (min)	in (max)	mm (min)	mm (max)
G	Strain Relief from Side (elec)	$6\frac{3}{8}$	-	163	-
H	Strain Relief Height (elec)	$29\frac{7}{8}$	$30\frac{11}{16}$	759	780
G	Power Cord from Side (Canadian)	$6\frac{3}{8}$	-	163	-
H	Power Cord Height (Canadian)	$29\frac{7}{8}$	$30\frac{11}{16}$	759	780
	Power Cord Length (Canadian)	$53\frac{3}{8}$	-	1356	-
I	Power Cord from Side (gas)	$3\frac{13}{16}$	-	96	-
J	Power Cord Height (gas)	$31\frac{13}{16}$	$32\frac{11}{16}$	808	829
	Power Cord Length (gas)	72	-	1828	-
K	Gas Valve Height	$5\frac{5}{8}$	$6\frac{6}{16}$	142	163
L	Gas Valve from Side	$1\frac{3}{8}$	-	36	-
M	Exhaust Duct Height	$3\frac{1}{2}$	$4\frac{3}{8}$	90	111
N	Exhaust Duct from Side	$14\frac{1}{8}$	-	358	-

DETAILED PLANNING DIMENSIONS

Spacing for recessed area or closet installation

The dimensions shown are for the recommended spacing allowed.

- Additional spacing should be considered for ease of installation and servicing.
- Additional clearances might be required for wall, door, and floor moldings.
- Additional spacing of 1" (25 mm) on all sides of the dryer is recommended to reduce noise transfer.
- For closet installation, with a door, minimum ventilation openings in the top and bottom of the door are required. Louvered doors with equivalent ventilations openings are acceptable.
- Companion appliance spacing should also be considered.



*Recommended/Minimum spacing