

DETAILED PLANNING DIMENSION

WHIRLPOOL® STACKED LAUNDRY CENTER WITH 6 WASH CYCLES AND WRINKLE SHIELD™



IMPORTANT: Dimensional specifications are provided for planning purposes only.

DETAILED PLANNING DIMENSION

WHIRLPOOL® STACKED LAUNDRY CENTER WITH 6 WASH CYCLES AND WRINKLE SHIELD™

ELECTRICAL REQUIREMENTS

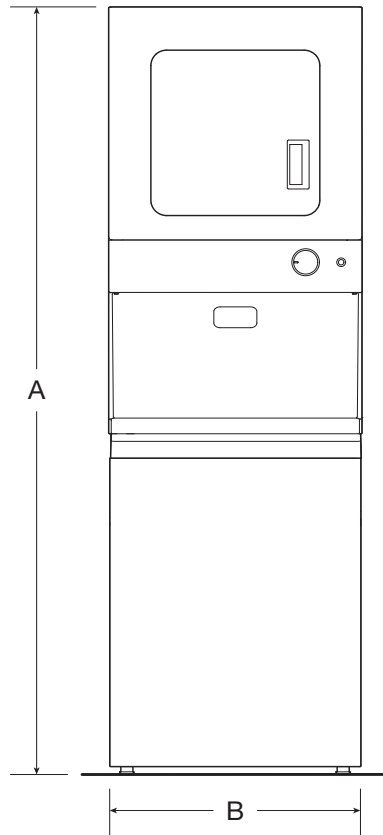
WARNING: To reduce the risk of fire, electric shock, or injury to persons, read the IMPORTANT SAFETY INSTRUCTIONS and INSTALLATION INSTRUCTIONS, located in your appliance's Owner's Manual, before installing and operating this appliance.

Electrical Requirements	
WET4124HW	1.6 cu ft DOE (US) Washer Basket Capacity/ 5.0 cu ft IEC (CAN) Dryer Drum Capacity
Minimum Circuit Amperage Rating	20 A
Maximum Ampere Draw	20 A
Operating Voltage	120 V AC only
Operating Frequency	60 Hz

Drum Volume	
Dryer	3.4 cu ft
Washer	-

PRODUCT DIMENSIONS

WET4124HW	1.6 cu ft DOE (US) Washer Basket Capacity/ 5.0 cu ft IEC (CAN) Dryer Drum Capacity			
Unit of Measurement	in (minimum)	mm (minimum)	in (maximum)	mm (maximum)
Height (with feet) (A)	74	1880	-	-
Product Width (B)	23 ³ / ₄	603	-	-



FRONT VIEW

IMPORTANT: Dimensional specifications are provided for planning purposes only.

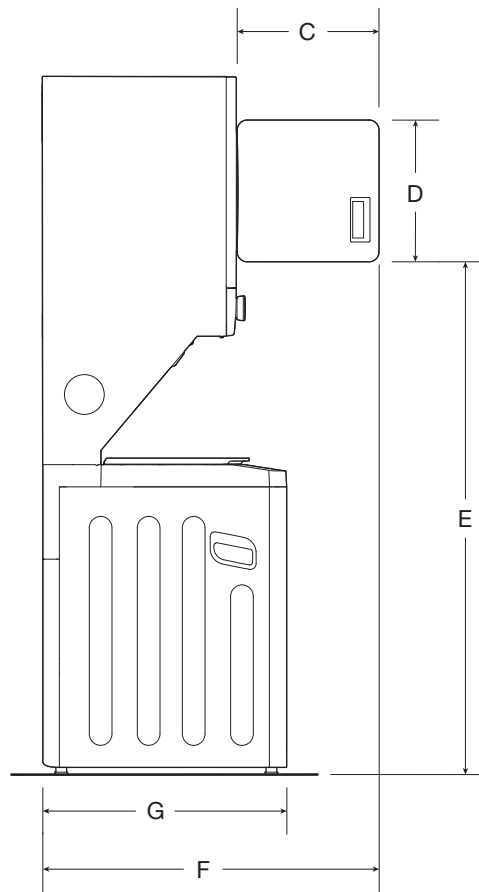


DETAILED PLANNING DIMENSION

WHIRLPOOL® STACKED LAUNDRY CENTER WITH 6 WASH CYCLES AND WRINKLE SHIELD™

PRODUCT DIMENSIONS

WET4124HW	1.6 cu ft DOE (US) Washer Basket Capacity/ 5.0 cu ft IEC (CAN) Dryer Drum Capacity			
Unit of Measurement	in (minimum)	mm (minimum)	in (maximum)	mm (maximum)
Door Width (C)	15½	394	-	-
Door Height (D)	15¼	387	-	-
Height to Bottom of Door (E)	54	1375	-	-
Product Depth with Dryer Door Open (F)	36⅞	926	-	-
Product Depth (G)	26⅝	676	-	-



SIDE VIEW

IMPORTANT: Dimensional specifications are provided for planning purposes only.

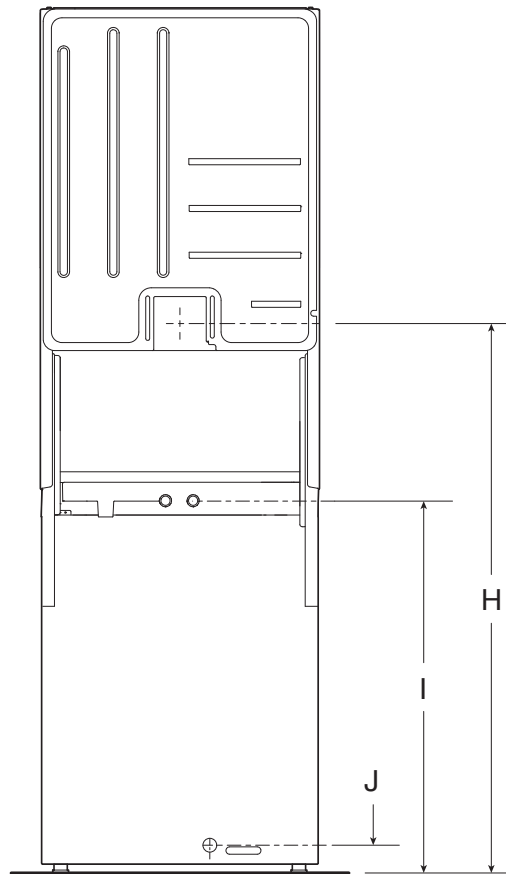


DETAILED PLANNING DIMENSION

WHIRLPOOL® STACKED LAUNDRY CENTER WITH 6 WASH CYCLES AND WRINKLE SHIELD™

PRODUCT DIMENSIONS

WET4124HW	1.6 cu ft DOE (US) Washer Basket Capacity/ 5.0 cu ft IEC (CAN) Dryer Drum Capacity			
Unit of Measurement	in (minimum)	mm (minimum)	in (maximum)	mm (maximum)
Position of Power Cord (H)	48	1219	-	-
Power Cord Length	60	1524	-	-
Position of Water Inlet Valves (I)	32	813	-	-
Drain Hose Length	-	-	-	-
Diameter of Drain Hose	-	-	-	-
Position of Drain Hose (J)	2½	64	-	-



BACK VIEW

IMPORTANT: Dimensional specifications are provided for planning purposes only.

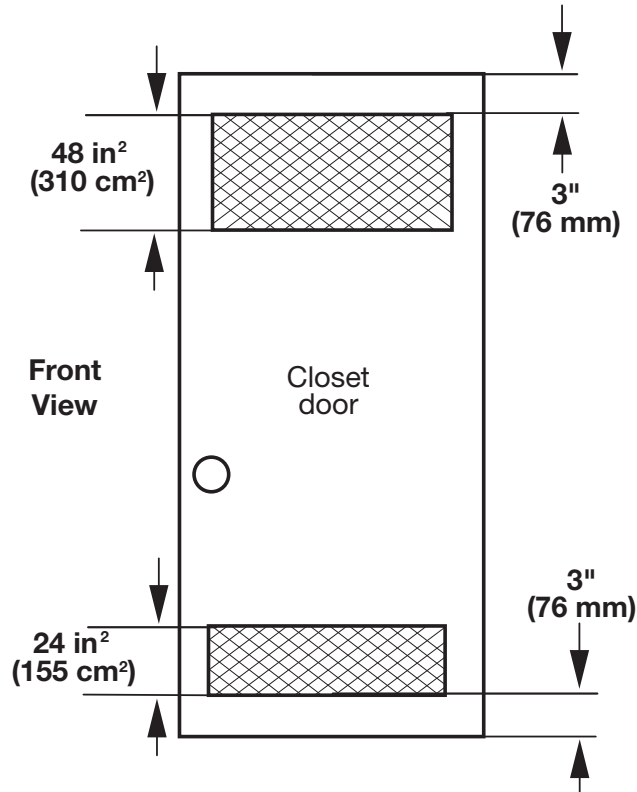


WHIRLPOOL® STACKED LAUNDRY CENTER WITH 6 WASH CYCLES AND WRINKLE SHIELD™

RECESSED AREA OR CLOSET INSTALLATION

All dimensions show recommended spacing allowed, except for closet door ventilation openings which are minimum required. This washer has been tested for installation with spacing of 0" (0 mm) clearance on the sides. Consider allowing more space for ease of installation and servicing, and spacing for companion appliances and clearances for walls, doors, and floor moldings. Add spacing of 1" (25 mm) on all sides of washer to reduce noise transfer. If a closet door or louvered door is installed, top and bottom air openings in door are required.

*For additional details (or information) specific to your model, refer to your Quick Start Guide.



IMPORTANT: Dimensional specifications are provided for planning purposes only.