

# ALL-IN-ONE WASHER & DRYER OWNER'S MANUAL

## GUIDE D'UTILISATION DE LA LAVEUSE-SÉCHEUSE TOUT-EN-UN

### Table of Contents/Table des matières

<b>ALL-IN-ONE WASHER &amp; DRYER SAFETY</b> .....	2	<b>SÉCURITÉ DE LA LAVEUSE-SÉCHEUSE TOUT-EN-UN</b> .....	15
All-In-One Washer & Dryer Safety .....	2	Sécurité de la laveuse-sécheuse tout-en-un .....	15
<b>ADDING LAUNDRY PRODUCTS</b> .....	3	<b>AJOUT DE PRODUITS DE LESSIVE</b> .....	17
<b>ALL-IN-ONE WASHER &amp; DRYER MAINTENANCE AND CARE</b> .....	4	<b>ENTRETIEN ET RÉPARATION DE LA LAVEUSE-SÉCHEUSE TOUT-EN-UN</b> .....	18
<b>INSTALLATION INSTRUCTIONS</b> .....	8	<b>INSTRUCTIONS D'INSTALLATION</b> .....	22
<b>REQUIREMENTS</b> .....	8	<b>SPÉCIFICATIONS</b> .....	23
Tools and Parts .....	8	Outils et pièces .....	23
Location Requirements .....	9	Exigences d'emplacement .....	23
Drain System .....	10	Système de vidange .....	25
Electrical Requirements .....	11	Spécifications électriques .....	26
<b>INSTALLATION</b> .....	11	<b>INSTALLATION</b> .....	26
Connect Drain Hose .....	11	Raccordement du tuyau de vidange .....	26
Connect Inlet Hose .....	12	Raccordement du tuyau d'alimentation .....	27
Level All-In-One Washer & Dryer .....	13	Mettre de niveau la laveuse-sécheuse tout-en-un .....	28
Complete Installation Checklist .....	14	Liste de vérification pour installation terminée .....	29

Normal cycle is recommended for washing normally soiled cotton or linen clothes. This clothes washer's government energy certifications were based on the Regular + Normal cycle with Fast Spin, Medium Soil Level and all Wash Temperature selections offered in the cycle. It was tested as an Adaptive Automatic Water Fill Control System clothes washer. The settings as shipped are Regular + Normal cycle, Warm Wash Temp and Auto Water level.

Regular + Dry Only cycle is recommended for drying cotton or linen clothes. Government energy certifications were based on the REGULAR + DRY ONLY Cycle, SPIN SPEED 5 LED'S, Drying Temperature and Dryness Level Non-Selectable.

Complete instructions for recommended cycles can be found at [www.whirlpool.com/owners](http://www.whirlpool.com/owners).

Le programme Normal (normal) est recommandé pour laver des vêtements en coton ou en lin avec un degré de saleté normal. Les certifications énergétiques gouvernementales de cette laveuse étaient basées sur le programme Regular + Normal (ordinaire + normal) avec essorage rapide, niveau de saleté moyen et toutes les sélections de température de lavage offertes dans le programme. La laveuse a été testée en tant que laveuse à linge avec système de commande de remplissage d'eau automatique adaptatif. Les réglages tels que livrés sont les programmes Regular + Normal (ordinaire + normal), température de lavage Warm (tiède) et niveau Auto Water (eau automatique).

Le programme Regular + Dry Only (ordinaire + séchage seulement) est recommandé pour le séchage des vêtements en coton ou en lin. Les certifications énergétiques du gouvernement étaient basées sur le programme REGULAR + DRY ONLY (ordinaire + sécher seulement), SPIN SPEED 5 LED'S (vitesse d'essorage 5 DEL), Drying Temperature (température de séchage) et Dryness Level (niveau de séchage) non sélectionnables.

Des instructions complètes pour les programmes recommandés se trouvent sur [www.whirlpool.ca/proprietaire](http://www.whirlpool.ca/proprietaire).

#### **IMPORTANT:**

Save for local electrical inspector's use.

#### **IMPORTANT :**

Conserver ces instructions à l'usage de l'inspecteur des installations électriques local.

# ALL-IN-ONE WASHER & DRYER SAFETY

## Your safety and the safety of others are very important.

We have provided many important safety messages in this manual and on your appliance. Always read and obey all safety messages.



This is the safety alert symbol.

This symbol alerts you to potential hazards that can kill or hurt you and others.

All safety messages will follow the safety alert symbol and either the word "DANGER" or "WARNING." These words mean:

**▲ DANGER**

**You can be killed or seriously injured if you don't immediately follow instructions.**

**▲ WARNING**

**You can be killed or seriously injured if you don't follow instructions.**

All safety messages will tell you what the potential hazard is, tell you how to reduce the chance of injury, and tell you what can happen if the instructions are not followed.

## IMPORTANT SAFETY INSTRUCTIONS

**WARNING:** To reduce the risk of fire, electric shock, or injury to persons when using your appliance, follow basic precautions, including the following:

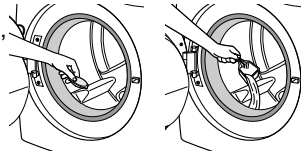
- Read all instructions before using the appliance.
- Do not wash articles that have been previously cleaned in, washed in, soaked in, or spotted with gasoline, dry-cleaning solvents, or other flammable or explosive substances, as they give off vapors that could ignite or explode.
- Do not add gasoline, dry-cleaning solvents, or other flammable or explosive substances to the wash water. These substances give off vapors that could ignite or explode.
- Under certain conditions, hydrogen gas may be produced in a hot-water system that has not been used for 2 weeks or more. **HYDROGEN GAS IS EXPLOSIVE.** If the hot-water system has not been used for such a period, before using a washing machine, turn on all hot-water faucets and let the water flow from each for several minutes. This will release any accumulated hydrogen gas. As the gas is flammable, do not smoke or use an open flame during this time.
- Risk of Suffocation and Injury from Entrapment: Do not allow children to play on or in the appliance. Close supervision of children is necessary when the appliance is used near children.
- Before the appliance is removed from service or discarded, remove the door.
- Do not reach into the appliance if the tub or agitator is moving.
- Do not install or store this appliance where it will be exposed to the weather.
- Do not tamper with controls.
- Do not repair or replace any part of the appliance or attempt any servicing unless specifically recommended in the user-maintenance instructions or in published user-repair instructions that you understand and have the skills to carry out.
- Do not use replacement parts that have not been recommended by the manufacturer (e.g. parts made at home using a 3D printer).
- See the Installation Instructions for grounding requirements and installation.
- This appliance is not designed to be used by people (including children) with physical, sensory, or mental abilities reduced, or with lack of experience and knowledge, unless it has been given instruction or supervision regarding the use of the appliance.
- If the power cord is damaged, it must be replaced by the manufacturer or its service agent or by qualified personnel to avoid danger.
- New hoses must be used supplied with the appliance, old hoses they must not be reused to avoid danger.
- Do not clean your washing machine with flammable substances or liquids.
- **WARNING:** Never stop the Washer-Dryer before the end of the drying cycle, unless all items are removed quickly and spread so that the heat dissipates.
- Do not use the drying cycle on clothes without a pre-wash.
- Remove all items from pockets such as matches and lighters.
- Do not use fabric softeners or products to eliminate static from clothes unless recommended by the manufacturer of the fabric softener or the instructions for the product in use.
- Do not use heat to dry items that contain foam rubber or similarly textured rubber materials.
- Clean the lint trap before or after each load of laundry.
- Keep the area around the ventilation opening and the areas adjacent to the opening free from lint, dust, or dirt.

**SAVE THESE INSTRUCTIONS**

# ADDING LAUNDRY PRODUCTS

## Adding HE detergent to basket:

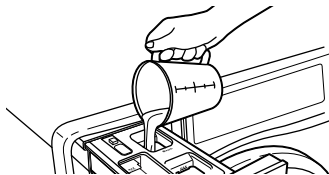
Single-dose laundry packets, Oxi-type boosters, color-safe bleach, scented crystals can be added to the drum prior to adding laundry. When using single-dose laundry packets, make sure that the Load & Go™ Bulk Dispenser option is disabled (on some models).



**NOTE:** Follow the manufacturer's instructions to determine the amount of laundry products to use.

## Adding liquid chlorine bleach to single-load dispenser:

Add liquid chlorine bleach to the bleach compartment. Do not overfill, dilute, or use more than 2/3 cup (165 mL). Do not use color-safe bleach or Oxi in the same cycle with liquid chlorine bleach.

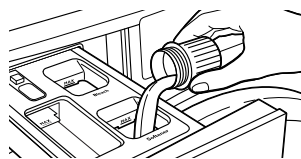


### IMPORTANT:

- Always measure liquid chlorine bleach. Use a measuring cup with a pour spout; do not guess.
- Do not fill beyond the "MAX" line. Overfilling could cause garment damage.
- Do not use thickened, easy-pour, or no-splash bleach when running the Clean Washer with affresh® cycle, as excess suds may occur.
- On some models: Do not add liquid chlorine bleach to the bulk dispenser.
- Slowly close dispenser drawers. Make sure the drawers are closed completely.

## Adding liquid fabric softener to single-load dispenser:

Pour a measured amount of liquid fabric softener into liquid fabric softener compartment. Always follow manufacturer's directions for correct amount of fabric softener, based on your load size. Disable the 1 Liter Load & Go™ dispenser if not used to dispense detergent. Fabric softener is always dispensed in the last rinse.



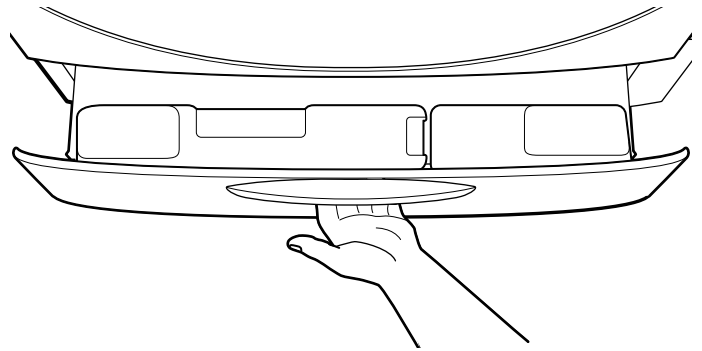
**IMPORTANT:** Do not overfill, dilute, or use more than the manufacturer-recommended quantity of fabric softener. Do not fill past the "MAX" line. Overfilling dispenser will cause fabric softener to immediately dispense into machine.

- Do not spill or drip any fabric softener onto the clothes.
- Do not use liquid fabric softener dispenser balls in this machine. They will not dispense correctly.
- Do not use fabric softener sheets, as they can stain the load.

## Adding HE detergent to Load & Go™ dispenser (on some models):

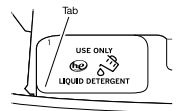
Use only High Efficiency (HE) liquid detergents. The bulk dispensers will hold about 67.6 oz. (2 L) or 33.8 oz. (1 L) of liquid HE detergent, depending on dispenser, or enough for many loads of laundry.

## To fill bulk dispensers:

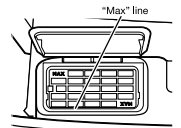


Open the dispenser drawer by pulling on the handle at the base of the machine. If desired, the drawer can be completely removed from the machine.

Locate the Load & Go™ bulk dispenser. Gently pull up on the tab located on the bulk dispenser lid to lift the fill door.



Fill to the "MAX" line (see illustrations at right) with HE liquid detergent or liquid fabric softener (1-liter dispenser only). Close fill door. It will click into place. Make sure the concentration setting is correct (see the online "Cycle Guide").



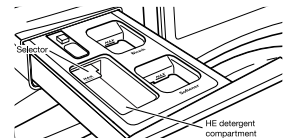
It is recommended that you rinse out the Load & Go™ containers when refilling, when changing detergent types or concentrations, or when the machine will not be used for an extended period. For instructions on cleaning the dispenser cartridge, see "All-In-One Washer & Dryer Care" in the "Maintenance and Care" section of your Owner's Manual.



When you want the machine to use the Load & Go bulk dispenser for automatic detergent dispensing, make sure that the Load & Go™ bulk dispenser option is enabled (on some models). Also, do not add any detergent to the single-load dispenser.

## Adding HE detergent to single-load dispenser:

Pour a measured amount of HE detergent into detergent compartment. For powdered detergent, lift the selector to the high position. For liquid detergent, push down the selector to the low position. Do not overfill; adding too much detergent may cause detergent to be dispensed into the machine too early.



When using single-dose dispenser for detergent, make sure that the Load & Go™ bulk dispenser option is disabled (on some models).

## Getting the most out of your All-In-One Washer & Dryer:

Your new machine is configured to run wash & dry cycles by default. You also have the option to run Wash Only cycles or Dry Only cycles. Refer to the Cycle Guide for additional details.

For optimal drying results and to avoid wrinkling of clothes, do not load clothes more than half full. Since this unit uses a ventless drying technology, expect longer dry times compared to a vented dryer.

# ALL-IN-ONE WASHER & DRYER MAINTENANCE AND CARE

## Water Inlet Hoses

Replace inlet hoses after five years of use to reduce the risk of hose failure. Periodically inspect and replace inlet hoses if bulges, kinks, cuts, wear, or leaks are found.

When replacing your inlet hoses:

Mark the date of replacement on the label with a permanent marker.

Check that the old rubber seals on water inlet hoses are not stuck on the machine inlet valves.

Use new washers in the new inlet hoses to ensure a proper seal.

## All-In-One Washer & Dryer Care

### Recommendations to Help Keep Your Machine Clean and Performing at Its Best

1. Always use High Efficiency (HE) detergents and follow the HE detergent manufacturer's instructions regarding the amount of HE detergent to use. Never use more than the recommended amount because that may increase the rate at which detergent and soil residue accumulate inside your machine which, in turn, may result in undesirable odor.
2. Use warm or hot water washes sometimes (not exclusively cold water washes) because they do a better job of controlling the rate at which soils and detergent accumulate.
3. Always leave the machine door slightly ajar between uses to help dry out the machine and avoid the buildup of odor-causing residue.
4. Periodically clean residue from all interior surfaces of the window. For better care, wipe the entire inside of the door with a damp cloth.

### Cleaning Your All-In-One Washer & Dryer

Read these instructions completely before beginning the routine cleaning processes recommended below. This machine maintenance procedure should be performed, at a minimum, once per month or every 30 cycles, whichever occurs sooner, to control the rate at which soils and detergent may otherwise accumulate in your machine. Note that since this is an all-in-one washer & dryer without a lint screen, you may see some more lint accumulation on the door seal than a typical washer.

#### Cleaning the Door Seal

1. Open the machine door and remove any clothing or items from the machine.
2. Inspect the gray-colored seal between the door opening and the drum for stained areas, soil buildup, or lint. Pull back the seal to inspect all areas under the seal and to check for foreign objects or lint.
3. If stained areas, soil buildup, or lint are found, wipe down these areas of the seal using either of the following two procedures:
  - a. **Affresh® Machine Cleaning Wipes Procedure:**
    - i. When the cycle is complete, gently pull back the rubber door seal and clean the entire surface with the textured side of an affresh® Machine Cleaning Wipe.
  - b. **Dilute Liquid Chlorine Bleach Procedure:**
    - i. Mix a dilute bleach solution, using 3/4 cup (177 mL) of liquid chlorine bleach and 1 gallon (3.8 L) of warm tap water.
    - ii. Wipe the seal area with the dilute solution, using a damp cloth.

iii. Let stand 5 minutes.

iv. Wipe down area thoroughly with a dry cloth and let machine interior air dry with door open.

#### IMPORTANT:

- Wear rubber gloves when cleaning with bleach.
- Refer to the bleach manufacturer's instructions for proper use.

#### Cleaning the Inside of the All-In-One Washer & Dryer

This machine has a special cycle that uses higher water volumes in combination with affresh® Washer Cleaner or regular liquid chlorine bleach to thoroughly clean the inside of the machine. Steam models also utilize steam to enhance cleaning in this special cycle.

**IMPORTANT:** Do not use thickened, easy-pour, or no-splash bleach when running the Clean Washer with affresh® cycle as excess suds may occur.

**NOTE:** Read these instructions completely before beginning the cleaning process.

#### Begin procedure

##### 1. Clean Washer with affresh® Cycle Procedure (Recommended for best performance):

- a. Open the machine door and remove any clothing or items.
- b. Use an affresh® Machine Cleaning Wipe or a soft, damp cloth or sponge to clean the inside door window.
- c. Add an affresh® Washer Cleaner tablet to the machine drum.
- d. Do not add the affresh® Washer Cleaner tablet to the dispenser drawer.
- e. Do not add any detergent or other chemical to the machine when following this procedure.
- f. Close the machine door.
- g. Select the Clean Washer with affresh® cycle.
- h. **On some models:** Select the FanFresh® option to help dry the machine interior after the cycle is complete.

**NOTE:** The machine remembers your last option selection and will use it for future wash cycles until you deselect that option.

- i. Touch and hold START/PAUSE to begin the cycle. The Clean Washer with affresh® cycle operation is described below.

##### 2. Chlorine Bleach Procedure:

- a. Open the machine door and remove any clothing or items.
- b. Open the single load dispenser drawer and add regular liquid chlorine bleach to the "MAX" line in both the bleach compartment and the fabric softener compartment. Either traditional or HE chlorine bleach can be used.

**IMPORTANT:** Do not use thickened, easy-pour, or no-splash bleach as excess suds may occur.

**NOTE:** Use of more liquid chlorine bleach than is recommended above could cause machine damage over time.

- c. Close the machine door and the dispenser drawer.
- d. Do not add any detergent or other chemicals to the machine when following this procedure.
- e. Select the Clean Washer with affresh® cycle.
- f. **On some models:** Select the FanFresh® option to help dry the machine interior after the cycle is complete.

**NOTE:** The machine remembers your last option selection and will use it for future wash cycles until you deselect that option.

- g. Touch and hold START/PAUSE to begin the cycle. The Clean Washer with affresh® cycle operation is described below.

**NOTE:** For best results, do not interrupt cycle.

#### Description of Clean Washer with affresh® Cycle Operation:

1. The Clean Washer with affresh® cycle will determine whether clothing or other items are in the machine.
2. If no items are detected in the machine, it will proceed with the cycle.
  - a. If any items are detected in the machine, "rL" (remove load) will be displayed. The door will unlock. Open machine and remove any garments from the machine drum.
  - b. Touch POWER to clear the "rL" code.
  - c. Touch and hold START/PAUSE to restart the cycle.
3. **Steam models only:** During the first 20 minutes of the cycle, it will activate the steamer but the drum will not spin or fill with water. You may see condensation on the door window during this initial phase. If you are using an affresh® Washer Cleaner tablet, it will not dissolve completely during the steam phase. This is normal.

After the cycle is complete, leave the door open slightly to allow for better ventilation and drying of the machine interior.

#### Cleaning the Dispensers

After using the Clean Washer with affresh® cycle, you may find some residue buildup in the machine's dispensers.

To remove residue from the single load dispenser, remove the drawer and wipe the surfaces with an affresh® Machine Cleaning Wipe or a damp cloth and towel dry either before or after you run the Clean Washer with affresh® cycle. Use an all-purpose surface cleaner, if needed.

On some models: To remove residue from the Load & Go™ bulk dispenser, lift the handle on the dispenser housing and pull to remove it from the machine cabinet; then rinse the dispenser thoroughly with running water. Wipe the outside dispenser surface with an affresh® Machine Cleaning Wipe or a damp cloth, and towel dry. Use an all-purpose surface cleaner, if needed.

Replace the dispenser in the machine cabinet and make sure that it is correctly seated.

**NOTE:** Dispensers are not dishwasher-safe.

#### Cleaning the Outside of the All-In-One Washer & Dryer

Use an affresh® Machine Cleaning Wipe or a soft, damp cloth or sponge to wipe up any spills. Occasionally wipe the outside of your machine to help keep it looking new. Use an affresh® Machine Cleaning Wipe or mild soap and water.

**IMPORTANT:** To avoid damaging the machine's finish, do not use abrasive products.

#### Clean Washer Cycle Reminder

**NOTE:** Not all models have the Clean Washer with affresh® cycle reminder light.

The Clean Washer with affresh® LED will flash at the end of a wash cycle when the machine has run 30 wash cycles. This is a reminder to run the Clean Washer with affresh® cycle.

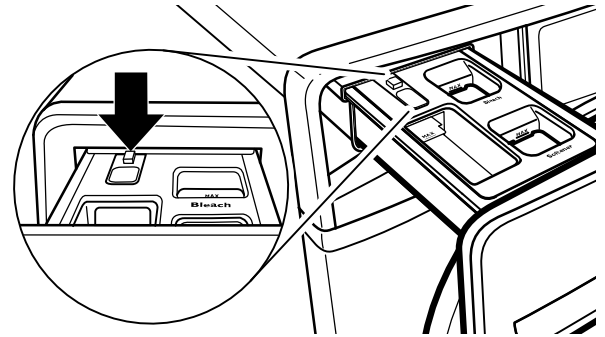
If the Clean Washer with affresh® cycle is not turned on, the LED will stop flashing at the end of a wash cycle after running three more regular wash cycles. After 30 more wash cycles are completed, the Clean Washer with affresh® LED will again flash at the end of a wash cycle as a reminder.

## REMOVING THE DISPENSER

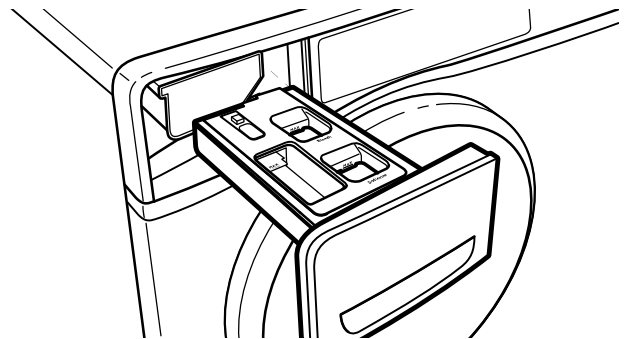
### Single Load Dispenser Drawer

#### To remove:

1. Pull dispenser drawer out until it stops.
2. Press down on the release tab and pull straight out to remove the dispenser.

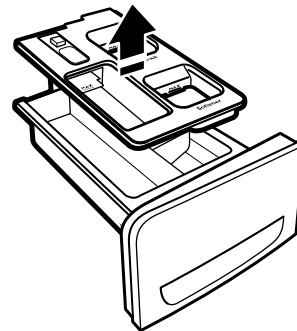


3. Lift off cover panel by pulling straight up.



#### To replace:

1. Position cover panel back onto posts on dispenser. Apply slight pressure on cover panel to seat it.
2. Align edges of dispenser with guides in machine; then slide dispenser back into slot.

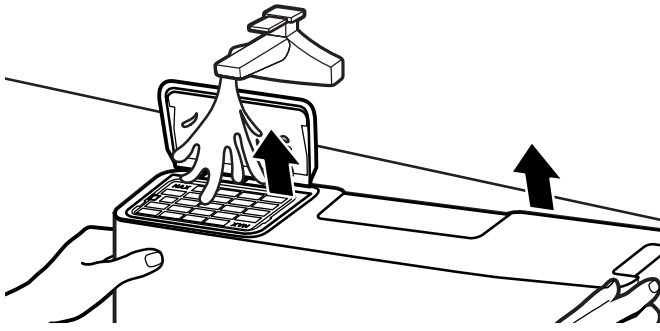


### Cleaning Load & Go™ Containers (on some models)

It is recommended that you rinse out the Load & Go™ containers when refilling, when changing detergent types or concentrations, or when the machine will not be used for an extended period.

1. Pull the dispenser drawer out until it stops.
2. Lift out the Load & Go™ containers.

3. Lift the fill lid and flush interior thoroughly with warm water.



4. Allow to air dry.

### Non-Use and Vacation Care

Operate your machine only when you are home. If moving or not using your machine for a period of time, follow these steps:

1. Unplug or disconnect power to machine.
2. Turn off water supply to machine to avoid flooding due to water pressure surges.

**HELPFUL TIP:** Attach a reminder note to the machine to turn the water back on before machine's next use.

3. Clean the dispensers. See "Cleaning the Dispensers."

### Winter Storage Care

**IMPORTANT:** To avoid damage, install and store machine where it will not freeze. Because some water may stay in hoses, freezing can damage machine. If storing or moving during freezing weather, winterize your machine.

#### To winterize machine:

1. Shut off both water faucets; then disconnect and drain water inlet hoses.  
**HELPFUL TIP:** Attach a reminder note to the machine to turn the water back on before machine's next use.
2. Put 1 quart (1 L) of R.V.-type antifreeze in machine drum and run machine on Normal cycle for about 2 minutes to mix antifreeze and remaining water.
3. Unplug machine or disconnect power.

### Transporting your All-In-One Washer & Dryer

1. Shut off both water faucets. Disconnect and drain water inlet hoses.
2. If machine will be moved during freezing weather, follow "Winter Storage Care" directions before moving.
3. Disconnect drain hose from drain system and from back of machine.
4. Unplug power cord.
5. Place inlet hoses and drain hose inside machine drum.
6. Bundle power cord with a rubber band or cable tie to keep it from hanging to the ground.

**IMPORTANT:** Call for service to install new transport bolts. Do not reuse transport bolts. Machine must be transported in the upright position. To avoid structural damage to your machine, it must be properly set up for relocation by a certified technician.

## ⚠ WARNING



### Electrical Shock Hazard

- Plug into a grounded 3 prong outlet.
- Do not remove ground prong.
- Do not use an adapter.
- Do not use an extension cord.
- Failure to follow these instructions can result in death, fire, or electrical shock.

### Reinstalling/Using Again

To reinstall machine after non-use, vacation, winter storage, or moving:

1. Refer to Installation Instructions to locate, level, and connect machine.
2. Before using again, run machine through the following recommended procedure:

#### To use machine again:

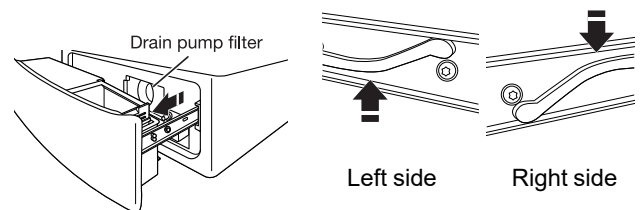
1. Flush water pipes and hoses. Reconnect water inlet hoses. Turn on both water faucets.
2. Plug in machine or reconnect power.
3. Run machine through Heavy Duty cycle to clean machine and remove antifreeze, if used. Use only HE detergent. Use half the manufacturer's recommended amount for a medium-size load.

### Cleaning the Drain Pump Filter/Draining Residual Water (on some models)

**NOTE:** Perform the following procedure occasionally.

**IMPORTANT:** Make sure the machine is off before cleaning the drain pump filter.

1. Open the dispenser drawer by pulling on the handle at the base of the machine. This will reveal the drain pump filter. Remove the drawer by releasing the tab on each side.

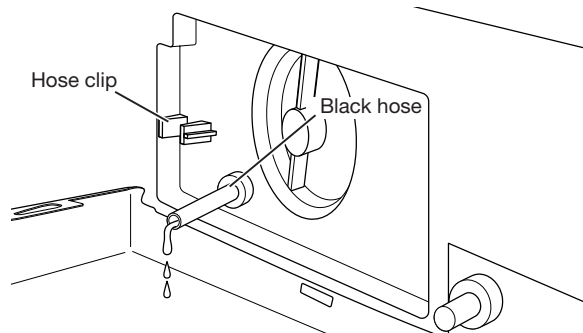


With your finger, push down on tab on right side of drawer, and up on tab on left side of drawer.

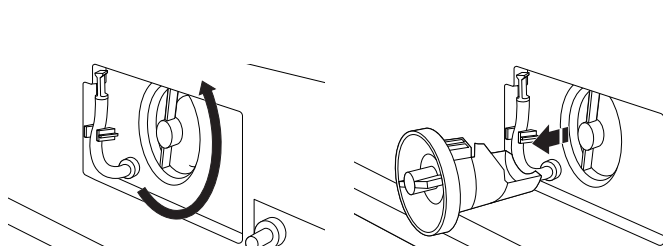


- Place a broad, flat container beneath the drain pump filter to collect the drain water. Release the black hose from the hose clip, remove the plug, and drain the hose into the container. Empty the container. Repeat this procedure if necessary until all the water has drained. Make sure that the black hose is completely dry, replace the plug, and secure the hose in the clip.

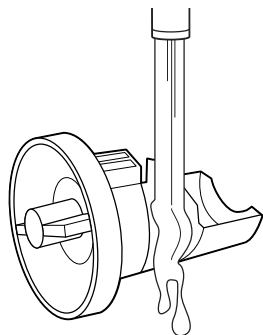
**NOTE:** If water does not drain well, push in hose slightly to remove any possible kinks.



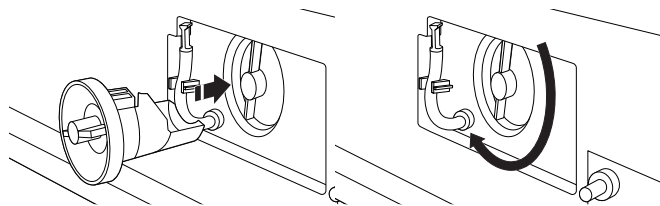
- Lay a cotton cloth beneath the drain pump filter to absorb any water still in it. Then remove the drain pump filter by turning it counterclockwise.



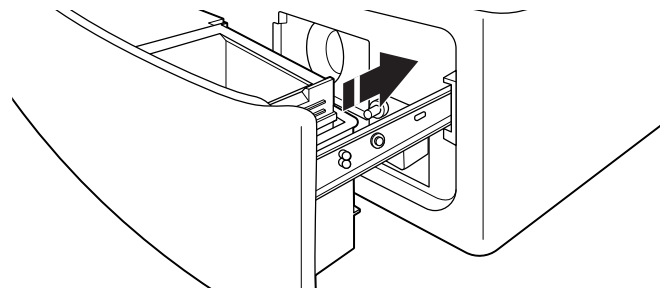
- Check the drain pump filter once a month. Remove large clumps of lint by hand from the filter and place lint in a suitable waste container. Remove remaining residue from the filter by rinsing with water.



- Reinsert the drain pump filter by turning it clockwise. Make sure to turn it in as far as it will go, with the filter handle remaining as close as possible to the vertical position.

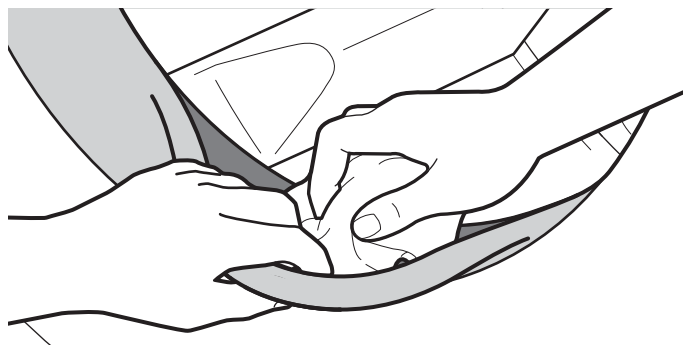


- Replace and close the dispenser drawer. Make sure to insert both rails simultaneously when replacing the drawer. You will hear a clicking sound that indicates the rails have engaged. To ensure proper placement of the drawer, pull out fully. The drawer should be fully engaged and the rails locked in place. Make sure the drain hose is secured in the hose clip and tucked underneath the cutout.



### Additional Cleaning

Gently pull back the rubber door seal and clean any stained areas, soil buildup, or lint with the textured side of an affresh® Machine Cleaning Wipe.



# INSTALLATION INSTRUCTIONS

## ⚠ WARNING

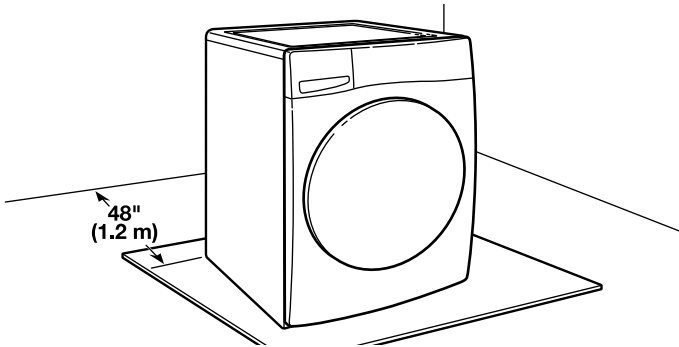
### Excessive Weight Hazard

Use two or more people to move and install or uninstall appliance.

Failure to do so can result in back or other injury.

**NOTE:** To avoid floor damage, set machine onto cardboard before moving it.

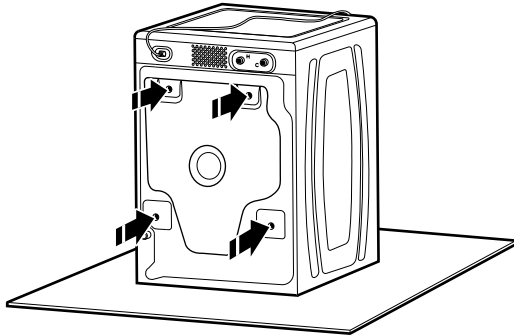
## Move All-In-One Washer & Dryer



It is necessary to remove all shipping materials for proper operation and to avoid excessive noise from machine.

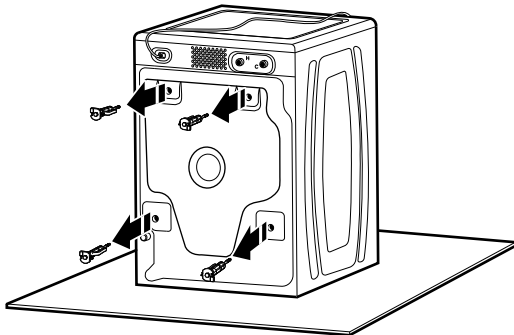
Move machine to within 4 ft (1.2 m) of its final location. It must be in a fully upright position.

## Locate transport bolts



Locate four transport bolts on rear of machine.

## Remove transport bolts from All-In-One Washer & Dryer



Loosen bolts with a 5/8" (16 mm) wrench. Slide each bolt and spacer to center of hole.

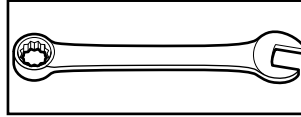
Pull bolts and plastic spacers from back of machine. Discard bolts and spacers.

**NOTE:** Do not plug machine in until installation has been completed.

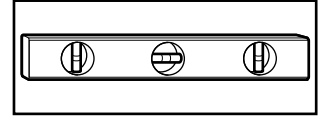
## REQUIREMENTS

### Tools and Parts

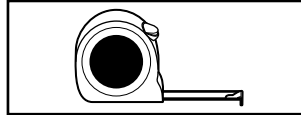
#### Tools needed:



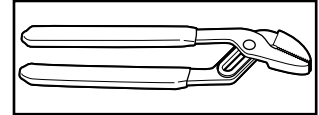
Adjustable or open end wrenches 1/2" (13 mm), 5/8" (16 mm) and 9/16" (14 mm)



Level

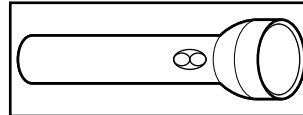


Ruler or measuring tape

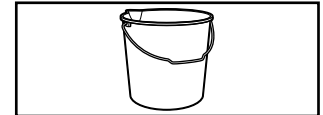


Pliers that open to 1 9/16" (39.5 mm)

#### Optional tool

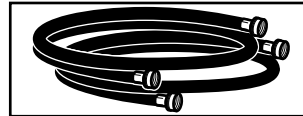


Flashlight

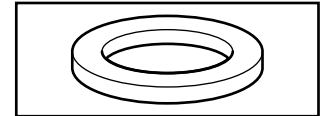


Bucket

#### Parts needed (not supplied with machine):



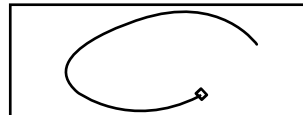
Water inlet hoses (2)



Flat inlet hose washers (4)

#### Parts supplied (not supplied with machine):

**NOTE:** All parts supplied for installation are in the machine basket.



Cable tie



Drain hose with clamp and form (may be shipped unassembled)



## Available accessories:

An optional matching pedestal is available for your machine. Please contact your retailer for ordering information, or see the "Assistance or Service" on Quick Start Guide.

## Alternate parts (not supplied with machine):

Your installation may require additional parts. To order, please refer to toll-free numbers on Quick Start Guide.

### If you have:

Overhead sewer

### You will need:

Standard 20 gallon (76 L) 39" (990 mm) tall drain tub or utility sink, sump pump and connectors (available from local plumbing suppliers)

**Alternate inlet hoses** (may be required for some installations, not supplied with machine):

- 8212656RP 10 ft (3.0 m) Inlet hose, Black EPDM (2 pack)
- 8212641RP 5 ft (1.5 m) Inlet hose, Black EPDM (2 pack)
- 8212546RP 4 ft (1.2 m) Inlet hose, Black EPDM (2 pack)
- 8212545RP 5 ft (1.5 m) Inlet hose, Red and Blue EPDM (2 pack)
- 8212487RP 5 ft (1.5 m) Nylon braided inlet hose (2 pack)
- 8212638RP 6 ft (1.8 m) Nylon braided inlet hose, space-saving 90° elbow, hydro-blue steel couplings (2 pack)

## Location Requirements

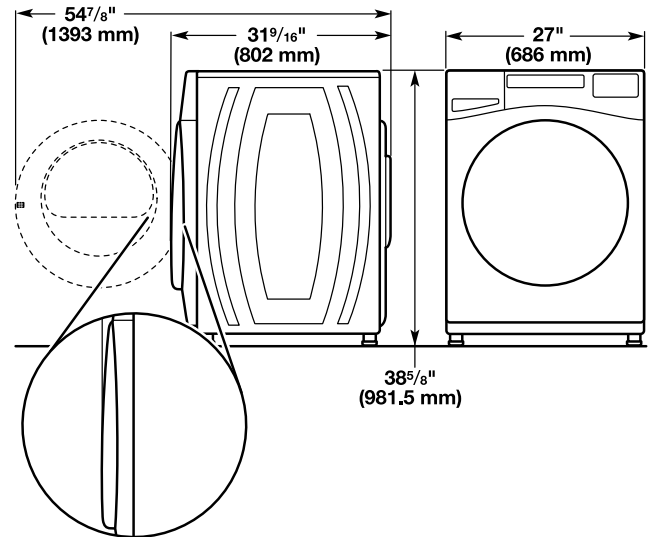
Proper installation is your responsibility.

### You will need:

- A water heater set to 120°F (49°C).
- A grounded electrical outlet located within 6 ft (1.8 m) of power cord on back of machine.
- Hot and cold water faucets located within 4 ft (1.2 m) of hot and cold water fill valves on machine, and water pressure of 20 psi–100 psi (137.9 kPa–689.6 kPa).
- A level floor with maximum slope of 1" (25 mm) under entire machine. Installing on carpet or surfaces with foam backing is not recommended.
- Floor must support machine's total weight (with water and load) of 315 lb (143 kg).

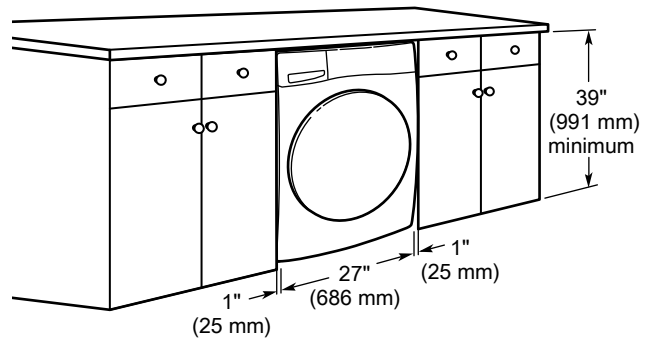
**IMPORTANT:** Do not install, store, or operate machine where it will be exposed to weather or in temperatures below 32°F (0°C). Water remaining in machine after use may cause damage in low temperatures. See "All-In-One Washer & Dryer Care" for winterizing information.

## Whirlpool® Models\*

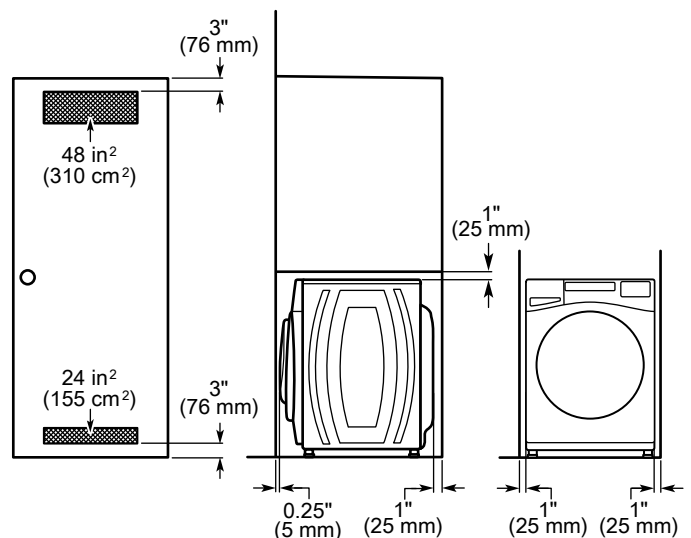


\*For additional details (or information) specific to your model, refer to the 'Dimensions' listed for your model at [www.whirlpool.com/owners](http://www.whirlpool.com/owners).

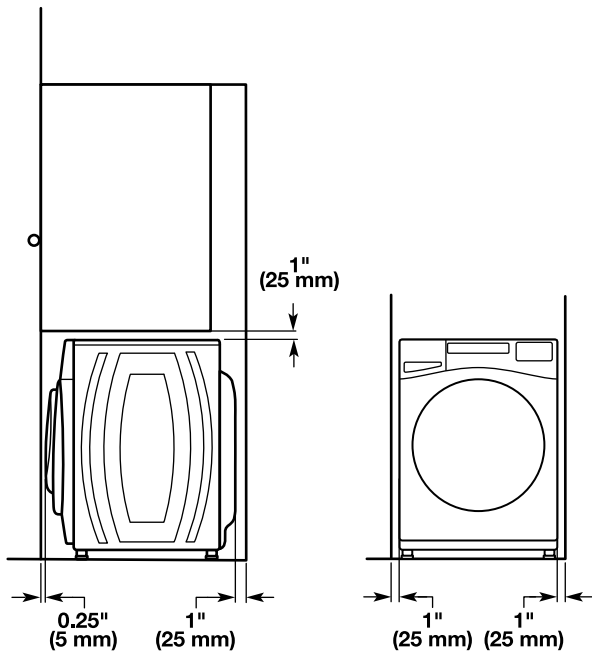
### Custom under-counter installation:



### Recessed area or closet installation:



**Custom cabinet installation:**

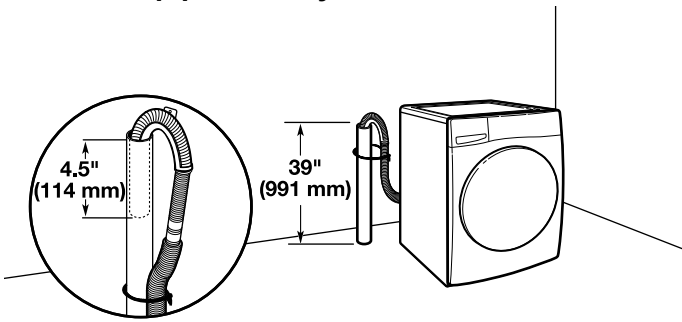


**Drain System**

The drain system can be installed using a floor drain, wall standpipe, floor standpipe, or laundry tub. Select the method you need.

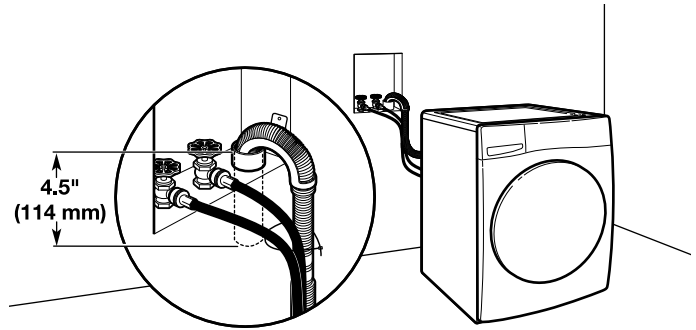
**IMPORTANT:** To avoid siphoning, no more than 4.5" (114 mm) of drain hose should be inside standpipe or below the top of wash tub. Secure drain hose with cable tie.

**Floor standpipe drain system**



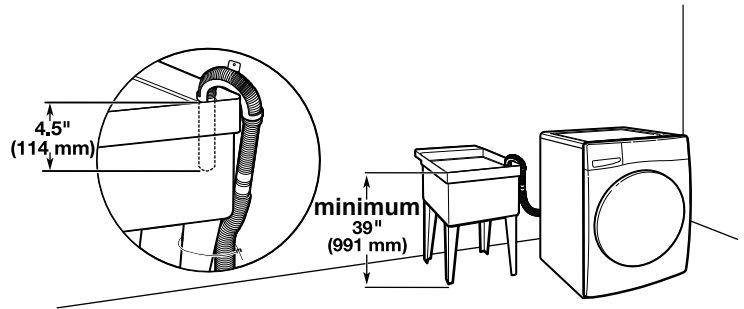
Minimum diameter for a standpipe drain: 2" (51 mm). Minimum carry-away capacity: 17 gallon (64 L) per minute. A 1/4" (6 mm) diameter to 1" (25 mm) diameter Standpipe Adapter Kit is available (Part Number 3363920). Top of standpipe must be at least 39" (991 mm) from the floor; install no higher than 96" (2.44 m) from bottom of machine. If you have an overhead sewer and need to pump higher than 96" (2.44 m), a sump pump and associated hardware are needed. See "Alternate parts."

**Wall standpipe drain system**

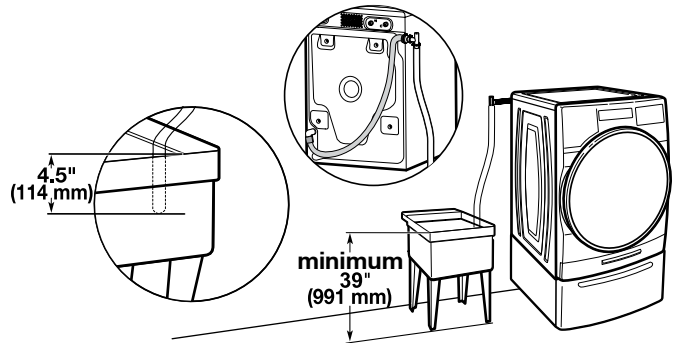


See requirements in the "Floor standpipe drain system" section.

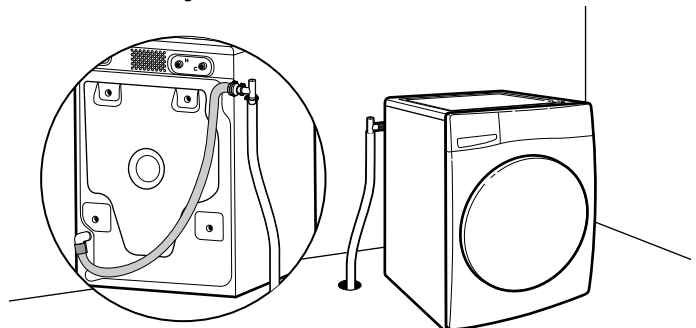
**Laundry tub drain System**



Minimum capacity: 20 gallon (76 L). Top of laundry tub must be at least 39" (991 mm) from the floor; install no higher than 96" (2.44 m) from bottom of machine.



**Floor Drain System**



Floor drain system requires a Siphon Break Kit, two Connector Kits, and an Extension Drain Hose that may be purchased separately. Please contact your retailer for ordering information, or see the "Assistance or Service" on Quick Start Guide. Minimum siphon break height: 28" (710 mm) from bottom of machine. (Additional hoses may be needed.)

## Electrical Requirements

### **⚠WARNING**



#### Electrical Shock Hazard

- Plug into a grounded 3 prong outlet.
- Do not remove ground prong.
- Do not use an adapter.
- Do not use an extension cord.
- Failure to follow these instructions can result in death, fire, or electrical shock.

- A 120 V, 60 Hz AC only, 15 A or 20 A, fused electrical supply is required. A time-delay fuse or circuit breaker is recommended. It is recommended that a separate circuit breaker serving only this appliance be provided.
- This machine is equipped with a power supply cord having a 3 prong grounding plug.
- To minimize possible shock hazard, the cord must be plugged into a mating, 3 prong grounding-type outlet, grounded in accordance with local codes and ordinances. If a mating outlet is not available, it is the personal responsibility and obligation of the customer to have the properly grounded outlet installed by a qualified electrician.
- If codes permit and a separate ground wire is used, it is recommended that a qualified electrician determine that the ground path is adequate.
- Do not ground to a gas pipe.
- Check with a qualified electrician if you are not sure the machine is properly grounded.
- Do not have a fuse in the neutral or ground circuit.

### GROUNDING INSTRUCTIONS

#### For a grounded, cord-connected appliance:

This appliance must be grounded. In the event of a malfunction or breakdown, grounding will reduce the risk of electric shock by providing a path of least resistance for electric current. This appliance is equipped with a cord having an equipment-grounding conductor and a grounding plug. The plug must be plugged into an appropriate outlet that is properly installed and grounded in accordance with all local codes and ordinances.

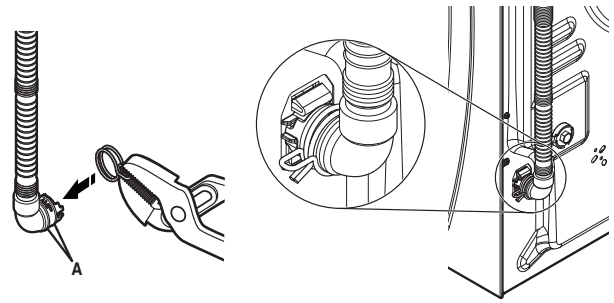
**WARNING:** Improper connection of the equipment-grounding conductor can result in a risk of electric shock. Check with a qualified electrician or serviceman if you are in doubt as to whether the appliance is properly grounded. Do not modify the plug provided with the appliance: if it will not fit the outlet, have a proper outlet installed by a qualified electrician.

**SAVE THESE INSTRUCTIONS**

## INSTALLATION

### Connect Drain Hose

Attach drain hose to drain port



A. Ribs

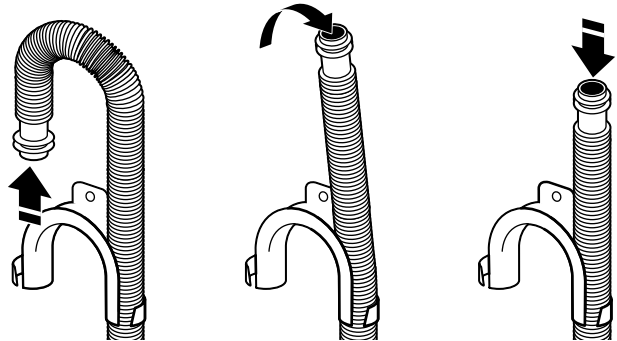
If clamp is not already in place on elbow end of drain hose, squeeze clamp with pliers and slide it over end of hose, centering it between the ribs, as shown. Squeeze clamp with pliers and slide elbow end of drain hose onto drain port and secure with clamp.

For a laundry tub or standpipe drain, refer the above/below steps.

For a floor drain, remove the preinstalled drain hose form as shown in the steps above/below. You may need additional parts with separate directions. See "Alternate Parts."

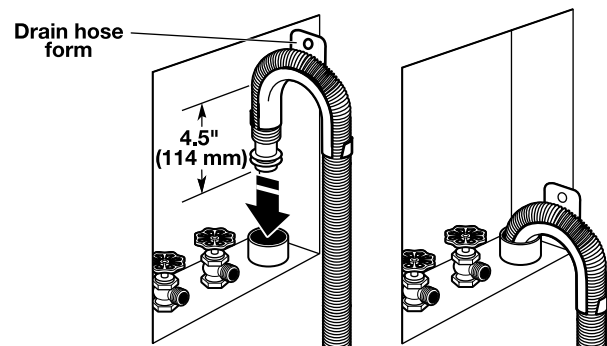
It is the responsibility of the installer to install and secure the drain hose into the provided plumbing/drain in a manner that will avoid the drain hose coming out of or leaking from the plumbing/drain.

### Remove drain hose form (floor drain installations only)



For floor drain installations, you will need to remove the drain hose form from the end of the drain hose. You may need additional parts with separate directions. See "Alternate Parts".

### Place drain hose in standpipe

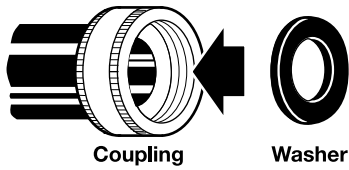


Place hose into standpipe (shown in picture) or over side of laundry tub.

**IMPORTANT:** 4.5" (114 mm) of drain hose should be inside standpipe; do not force excess hose into standpipe or lay on bottom of laundry tub. Drain hose form must be used.

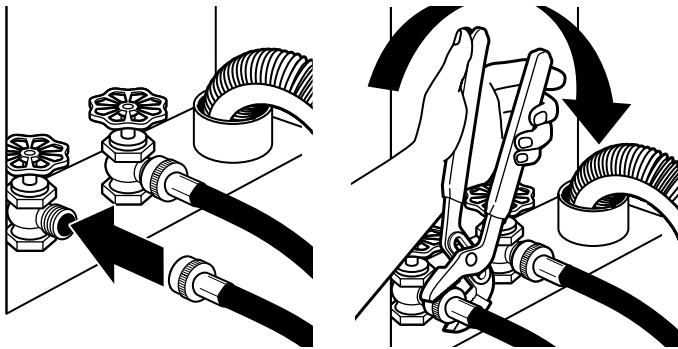
## Connect Inlet Hose

### Insert new flat washers



**IMPORTANT:** To avoid leaks, check that your water inlet hoses have flat washers at both ends. Machine must be connected to water faucets with new inlet hoses with flat washers (not provided). Do not use old hoses. Do not use hoses without washers.

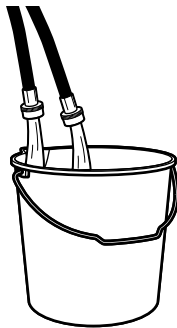
### Connect inlet hoses to water faucets



**IMPORTANT:** Do not overtighten or use tape or sealants on valve when attaching to faucets or machine. Damage can result.

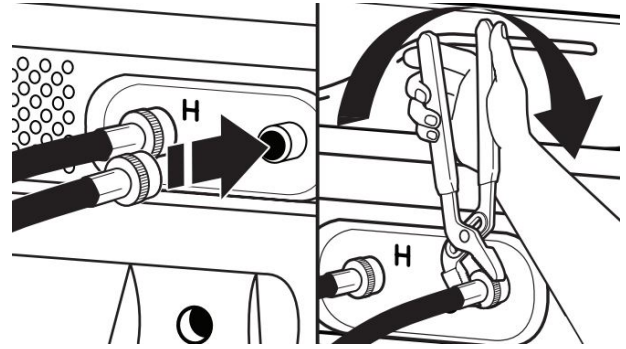
Attach the hose labeled hot to hot water faucet. Screw on coupling by hand until it is seated on washer. Use adjustable pliers to tighten couplings an additional two-thirds turn. Repeat this step with the hose labeled cold for the cold water faucet. Both hoses must be connected for machine to work properly.

### Clear water lines



Run water for a few seconds through hoses into a laundry tub, drainpipe, or bucket to prevent clogs. Water should run until clear.

## Connect inlet hoses to Machine

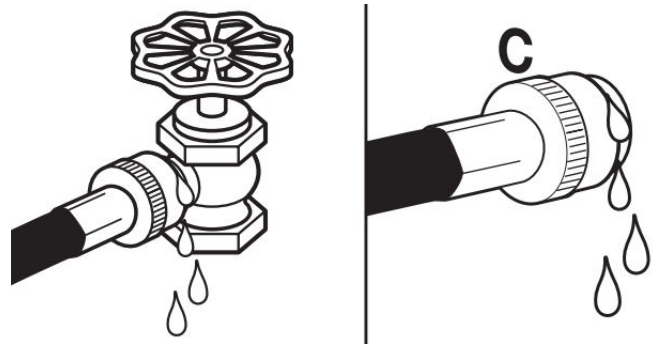


**IMPORTANT:** To reduce risk of hose failure, replace the hoses every 5 years. Record hose installation or replacement dates for future reference.

- Do not overtighten hose or use tape or sealants on the valve. Damage to the valves can result.
- Periodically inspect and replace hoses if bulges, kinks, cuts, wear, or leaks are found.

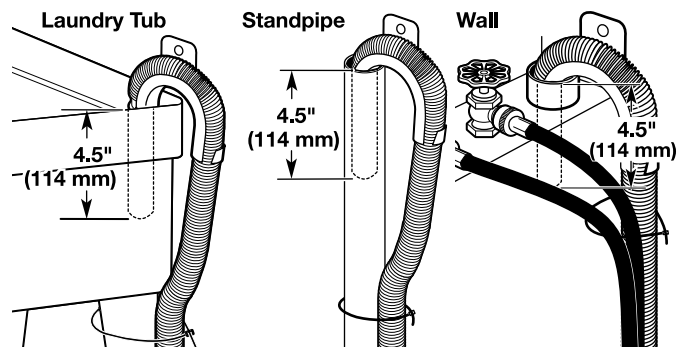
Attach hot water hose to hot water inlet valve. Screw coupling by hand until it is snug. Use adjustable pliers to tighten couplings an additional two-thirds turn. Repeat with cold water inlet valve.

### Check for leaks



Slowly turn on water faucets to check for leaks. A small amount of water may enter machine. It will drain later.

### Secure drain hose



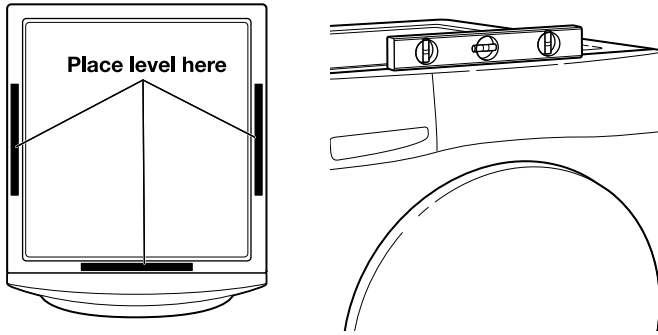
Secure drain hose to laundry tub leg, drain standpipe, or inlet hoses for wall standpipe with cable tie or beaded tie strap.

It is the responsibility of the installer to install and secure the drain hose in to the provided plumbing/drain in a manner that will avoid the drain hose coming out of or leaking from the plumbing/drain.

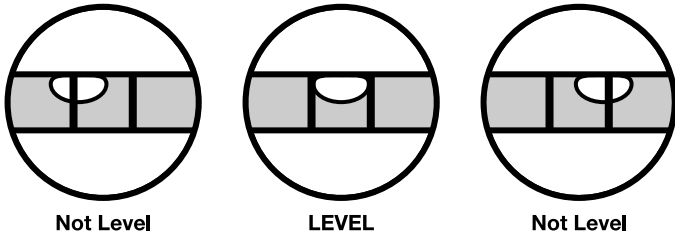
# Level All-In-One Washer & Dryer

**IMPORTANT:** Leveling your machine properly reduces excess noise and vibration.

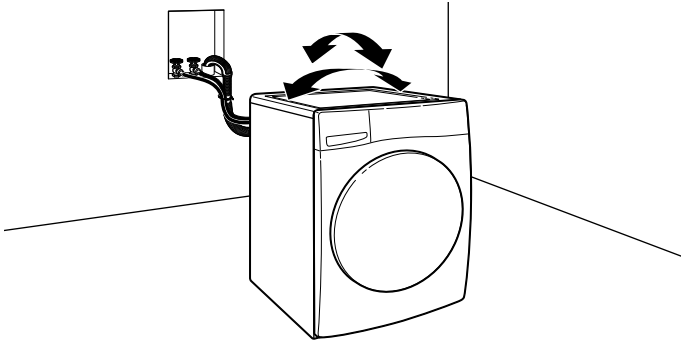
## Check levelness of machine



Remove cardboard from beneath machine. Place a level on top edges of machine, checking each side and front. If not level, tip machine and adjust feet up or down as shown in "Adjust leveling feet" and "Tighten leveling feet", repeating as necessary.

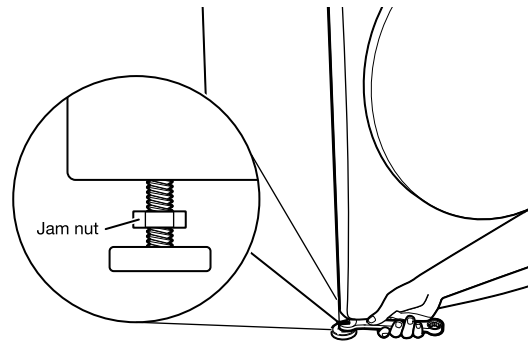


## Rock machine to test foot contact



Grip machine from top and rock back and forth, making sure all four feet are firmly on floor. Repeat, rocking machine from side to side. If machine rocks, adjust leveling feet. If all four feet are in firm contact with floor, tighten leveling feet.

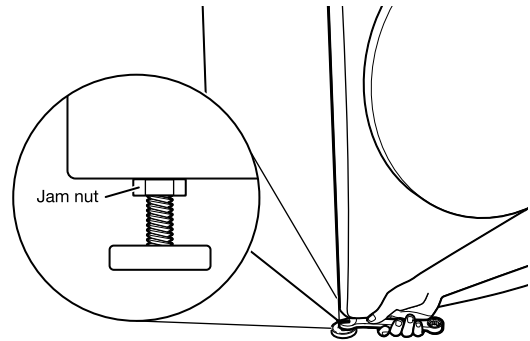
## Adjust leveling feet



If machine is not level, use a 9/16" (14 mm) open-end or adjustable wrench to turn jam nuts clockwise on feet until they are about 1/2" (13 mm) from the machine cabinet. Then turn the leveling foot clockwise to lower the machine or counterclockwise to raise the machine. Do not exceed 2" (50 mm) from bottom of foot to bottom of cabinet. Recheck levelness of machine and that all four feet are firmly in contact with the floor. Repeat as needed.

**HELPFUL TIP:** You may want to prop up front of machine about 4" (102 mm) with a wood block or similar object that will support weight of machine.

## Tighten leveling feet



When machine is level and all four feet are firmly in contact with the floor, use a 9/16" (14 mm) open-end or adjustable wrench to turn jam nuts counterclockwise on leveling feet tightly against machine cabinet.

**HELPFUL TIP:** You may want to prop machine with wooden block.

## **⚠WARNING**



### **Electrical Shock Hazard**

**Plug into a grounded 3 prong outlet.**

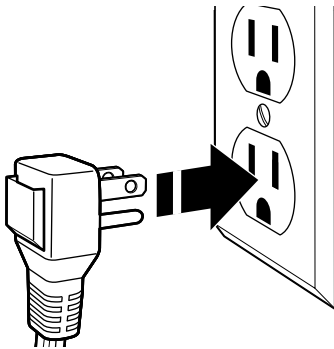
**Do not remove ground prong.**

**Do not use an adapter.**

**Do not use an extension cord.**

**Failure to follow these instructions can result in death, fire, or electrical shock.**

**Plug into a grounded 3 prong outlet**



## **Complete Installation Checklist**

- Check electrical requirements. Be sure you have correct electrical supply and recommended grounding method.
- Check that all parts are now installed. If there is an extra part, go back through steps to see what was skipped.
- Check that you have all of your tools. Check that transport materials were completely removed from back of machine.
- Check that both hot and cold hoses are attached and water faucets are on.
- Check for leaks around faucets, valves, and inlet hoses.
- Remove protective film from console and any tape remaining on machine.
- Check that machine is plugged into a grounded 3 prong outlet.
- Dispose of/recycle all packaging materials.
- To test and clean your machine, press POWER and choose the Quick cycle and run it without clothes. Use only HE detergent. Use 1/2 the manufacturer's recommended amount for a medium-size load.



# SÉCURITÉ DE LA LAVEUSE-SÉCHEUSE TOUT-EN-UN

## Votre sécurité et celle des autres sont très importantes.

Nous donnons de nombreux messages de sécurité importants dans ce manuel et sur votre appareil. Assurez-vous de toujours lire tous les messages de sécurité et de vous y conformer.



Voici le symbole d'alerte de sécurité.

Ce symbole d'alerte de sécurité vous signale les dangers potentiels de décès et de blessures graves.

Tous les messages de sécurité suivront le symbole d'alerte de sécurité et le mot « DANGER » ou « AVERTISSEMENT ». Ces mots signifient :

**▲ DANGER**

**Risque possible de décès ou de blessure grave si vous ne suivez pas immédiatement les instructions.**

**▲ AVERTISSEMENT**

**Risque possible de décès ou de blessure grave si vous ne suivez pas les instructions.**

Tous les messages de sécurité vous diront quel est le danger potentiel, comment réduire le risque de blessure et ce qui peut se produire en cas de non-respect des instructions.

## IMPORTANTES INSTRUCTIONS DE SÉCURITÉ

**AVERTISSEMENT :** Afin de réduire le risque d'incendie, de décharge électrique ou de blessures lors de l'utilisation de l'appareil, il convient d'observer certaines précautions fondamentales, notamment :

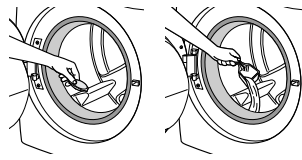
- Lire toutes les instructions avant d'utiliser l'appareil.
- Ne pas laver d'articles qui ont été précédemment nettoyés, lavés, trempés ou tachés avec de l'essence, des solvants pour nettoyage à sec ou d'autres substances inflammables ou explosives; ces substances dégagent des vapeurs qui pourraient s'enflammer ou exploser.
- Ne pas ajouter d'essence, de solvants pour nettoyage à sec ou d'autres substances inflammables ou explosives à l'eau de lavage. Ces substances dégagent des vapeurs qui pourraient s'enflammer ou exploser.
- Dans certaines conditions, un système d'eau chaude qui n'a pas été utilisé depuis 2 semaines ou plus peut produire de l'hydrogène. L'HYDROGÈNE EST UN GAZ EXPLOSIF. Si le système d'eau chaude est resté inutilisé pendant une telle période, ouvrir tous les robinets d'eau chaude et laisser l'eau s'y écouler pendant plusieurs minutes avant d'utiliser la laveuse. Ceci libérera toute accumulation d'hydrogène. Le gaz est inflammable : ne pas fumer ou utiliser une flamme nue durant cette période.
- Risque de suffocation et de blessure par coincement : Ne pas laisser des enfants jouer sur l'appareil ou à l'intérieur de celui-ci. Une surveillance étroite des enfants est nécessaire lorsque l'appareil est utilisé à proximité d'enfants.
- Retirer la porte de l'appareil avant de le retirer du service ou de le mettre au rebut.
- Ne pas accéder à l'intérieur de l'appareil si le tambour ou l'agitateur sont en mouvement.
- Ne pas installer ou entreposer l'appareil dans un endroit où il serait exposé aux intempéries.
- Ne pas effectuer d'intervention non autorisée sur les commandes.
- Ne pas réparer ou remplacer une quelconque pièce de l'appareil ou effectuer un entretien qui ne serait pas expressément recommandé dans les instructions d'entretien de l'utilisateur ou dans les instructions de réparation par l'utilisateur et s'assurer de bien comprendre ces instructions et d'être capable de les exécuter.
- Ne pas utiliser de pièces de remplacement qui n'ont pas été recommandées par le fabricant (c.-à-d., des pièces fabriquées à la maison à l'aide d'une imprimante 3D).
- Voir les instructions d'installation pour les exigences de mise à la terre et l'installation.
- Cet appareil ne convient pas à une utilisation par des personnes (y compris des enfants) dont les capacités physiques, sensorielles ou mentales sont réduites ou qui ne possèdent pas l'expérience ou les connaissances nécessaires, à moins d'être supervisées ou d'avoir reçu des instructions concernant l'utilisation de l'appareil.
- Si le cordon d'alimentation est endommagé, il doit être remplacé par le fabricant, son agent de service ou une autre personne qualifiée afin d'éviter tout danger.
- De nouveaux tuyaux doivent être utilisés avec l'appareil, les vieux tuyaux ne doivent pas être réutilisés pour éviter les dangers.
- Ne pas nettoyer la laveuse avec des substances ou liquides inflammables.
- **AVERTISSEMENT :** Ne jamais arrêter la laveuse-sécheuse avant la fin du programme de séchage, à moins de retirer et d'étendre rapidement tous les articles afin que la chaleur se dissipe.
- Ne pas utiliser le programme de séchage pour des vêtements sans d'abord les avoir lavés.
- Retirer tous les articles des poches comme les briquets et les allumettes.
- Ne pas utiliser d'assouplissant ou de produits pour éliminer l'électricité statique des vêtements à moins que cela ne soit recommandé par le fabricant de l'assouplissant ou inscrit dans les instructions du produit.
- Ne pas sécher à la chaleur des articles contenant du caoutchouc mousse ou des matières similaires en caoutchouc.
- Nettoyer le filtre à charpie avant ou après chaque charge de lessive.
- Maintenir la zone autour de l'ouverture de ventilation et les zones autour de l'ouverture libre de charpie, poussière ou saletés.

## CONSERVER CES INSTRUCTIONS

# AJOUT DE PRODUITS DE LESSIVE

## Ajouter du détergent HE au panier :

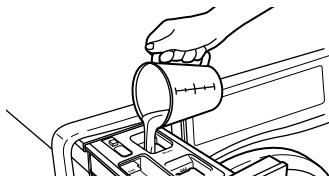
On peut ajouter des sachets de lessive à dose unique, des activateurs de lessive de type Oxi, de javellisant non décolorant ou des cristaux parfumés dans le tambour avant d'ajouter le linge. Lors de l'utilisation de sachets de lessive à dose unique, s'assurer que l'option du distributeur Load & Go™ est désactivé (sur certains modèles).



**REMARQUE :** Suivre les instructions du fabricant pour déterminer la quantité de produits de lessive à utiliser.

## Verser de l'eau de Javel dans le distributeur pour charge unique :

Verser l'eau de Javel dans le compartiment pour eau de Javel. Ne pas remplir excessivement le distributeur, diluer le produit ou utiliser plus de 2/3 tasse (165 mL). Ne pas utiliser de javellisant non décolorant ni de produit Oxi avec un programme utilisant de l'eau de Javel.

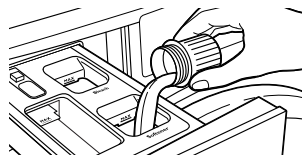


### IMPORTANT :

- Toujours mesurer la quantité d'eau de Javel. Utiliser une tasse à mesurer avec un bec verseur; ne pas utiliser une quantité approximative.
- Ne pas remplir au-delà du niveau « MAX ». Un remplissage excessif pourrait endommager les vêtements.
- Ne pas utiliser de l'eau de Javel épaisse, facile à verser ou anti-éclaboussure lorsque le programme Clean Washer with affresh® (Nettoyage de la laveuse avec affresh®) est en cours, car cela peut entraîner une surproduction de mousse.
- Sur certains modèles : Ne pas verser de l'eau de Javel dans le distributeur en vrac.
- Fermer lentement les tiroirs distributeurs. S'assurer que les tiroirs sont fermés complètement.

## Verser de l'assouplissant de tissu liquide dans le distributeur pour charge unique :

Verser une mesure de l'assouplissant de tissu liquide dans le compartiment d'assouplissant de tissu liquide. Toujours suivre les instructions du fabricant pour connaître la quantité d'assouplissant de tissu adéquate en fonction de la taille de la charge. Désactiver le distributeur Load & Go™ de 1 litre s'il n'est pas utilisé pour distribuer le détergent. L'assouplissant pour tissu est toujours distribué au cours du dernier rinçage.



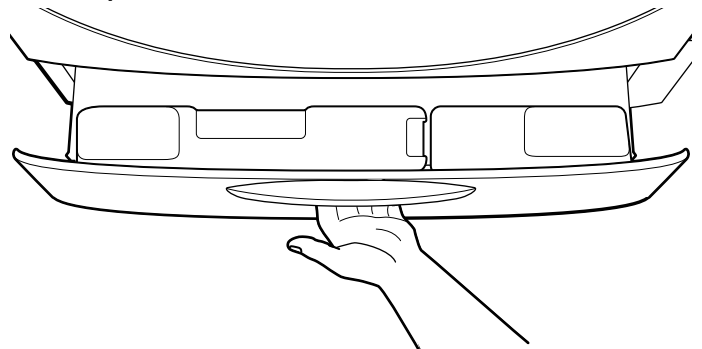
**IMPORTANT :** Ne pas remplir excessivement le distributeur, diluer le produit ou utiliser plus de la quantité d'assouplissant recommandée par le fabricant. Ne pas remplir au-delà du niveau « MAX ». Si l'on remplit excessivement le distributeur, l'assouplissant de tissu sera immédiatement distribué dans la machine.

- Ne pas renverser ou faire couler d'assouplissant de tissu sur les vêtements.
- Ne pas utiliser de boules distributrices d'assouplissant de tissu dans cette machine. Ces produits ne se dissoudront pas correctement.
- Ne pas utiliser de feuilles d'assouplissant, car elles peuvent tacher la charge.

## Ajouter du détergent HE au distributeur Load & Go™ Distributeur (sur certains modèles) :

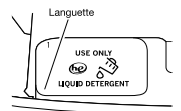
Utiliser uniquement un détergent liquide Haute efficacité (HE). Les distributeurs Load & Go peuvent contenir jusqu'à 67,6 oz (2 L) ou 33,8 oz (1 L) de détergent HE liquide ou suffisamment pour plusieurs charges de lessive.

## Pour remplir le distributeur



Ouvrir le tiroir distributeur en tirant sur la poignée à la base de la machine. Si désiré, le tiroir peut être complètement retiré de la machine.

Trouver le distributeur Load & Go™. Tirer doucement sur la languette située sur le couvercle du distributeur pour soulever la porte de remplissage.



Remplir jusqu'à la ligne « MAX » (voir les illustrations ci-contre) avec du détergent HE liquide ou de l'assouplissant liquide (distributeur 1 litre seulement). Fermer la porte de remplissage. Elle s'emboîte. S'assurer que le réglage de concentration est correct (voir le « Guide des programmes » en ligne).



Il est recommandé de rincer les récipients Load & Go™ avant son remplissage, lorsqu'on change de type ou de concentration de détergent, ou si on n'utilise pas la machine pendant une période prolongée. Pour les instructions concernant le nettoyage de la cartouche du distributeur, consulter le point « Entretien de la laveuse-sécheuse tout-en-un » dans la section « Entretien et réparation » de votre manuel de l'utilisateur.



Pour que l'appareil utilise le distributeur en vrac Load and Go pour la distribution automatique de détergent, s'assurer que l'option Distributeur en vrac Load and Go™ est activée (sur certains modèles). Aussi, ne pas ajouter de détergent dans le distributeur pour charge unique.

### Ajouter du détergent HE au distributeur pour charge unique :

Verser une mesure de détergent HE dans le compartiment à détergent. Pour du détergent en poudre, soulever le sélecteur vers la position supérieure. Pour le détergent liquide, abaisser le sélecteur jusqu'en position inférieure.

Ne pas remplir excessivement; ajouter trop de détergent peut entraîner sa distribution prématurée dans la machine.

Lors de l'utilisation d'un distributeur à dose unique de détergent, s'assurer que l'option de distribution en vrac Load & Go™ est désactivée (sur certains modèles).

### Tirer le maximum de votre laveuse-sécheuse tout-en-un :

Votre nouvelle machine est configurée pour utiliser par défaut des programmes de lavage et de séchage. Il est aussi possible d'effectuer des programmes de lavage et de séchage seuls. Consultez le guide des programmes pour obtenir plus de détails.

Pour obtenir des résultats de séchage optimaux et éviter le froissement des vêtements, ne pas charger plus de vêtements qu'à la moitié. Puisque cet appareil utilise une technologie de séchage sans évacuation, il faut s'attendre à un temps de séchage plus long qu'avec une sècheuse avec évacuation.

## ENTRETIEN ET RÉPARATION DE LA LAVEUSE-SÉCHEUSE TOUT-EN-UN

### Tuyaux d'arrivée d'eau

Remplacer les tuyaux d'arrivée d'eau après cinq ans d'utilisation pour réduire le risque de défaillance intempestive. Inspecter périodiquement les tuyaux; les remplacer en cas de renflement, de déformation, de coupure et d'usure ou de fuite.

Lors du remplacement de vos tuyaux d'arrivée d'eau :

Noter la date de remplacement au marqueur indélébile sur l'étiquette.

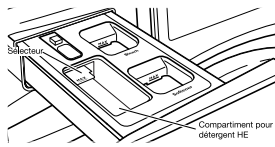
Vérifier que les anciens joints en caoutchouc sur les tuyaux d'arrivée d'eau ne sont pas collés sur les vannes d'entrée de la machine.

Utiliser de nouvelles rondelles avec les nouveaux tuyaux d'entrée pour assurer une bonne étanchéité.

### Entretien de la laveuse-sécheuse tout-en-un

#### Recommandations pour une machine propre et pour un niveau de performance optimal

1. Utiliser toujours un détergent HE (haute efficacité) et employer la quantité de détergent recommandée par le fabricant du détergent HE. Ne jamais utiliser plus que la quantité recommandée de détergent, car ceci peut augmenter le taux d'accumulation de résidus de détergent et de souillures à l'intérieur de la machine, ce qui pourrait entraîner la formation d'odeurs indésirables.
2. Exécuter périodiquement des lavages avec de l'eau tiède ou chaude (pas exclusivement des lavages à l'eau froide) car l'eau chaude facilite l'élimination des résidus de détergent et de souillures.
3. Veiller à toujours laisser la porte de la machine entrouverte pour qu'elle puisse sécher, et pour éviter l'accumulation de résidus générateurs d'odeurs.
4. Nettoyer périodiquement les résidus s'accumulant sur les surfaces intérieures du hublot. Pour un meilleur entretien, passer un linge humide sur toute la partie intérieure de la porte.



### Nettoyage de la laveuse-sécheuse tout-en-un

Lire complètement ces instructions avant d'entreprendre les opérations de nettoyage de routine recommandées ci-dessous. Le processus d'entretien de la machine doit être exécuté au moins une fois par mois ou à intervalles de 30 programmes (selon la période la plus courte des deux); ceci permettra de contrôler la vitesse à laquelle les résidus de détergent et les souillures s'accumulent dans la machine. À noter que puisqu'il s'agit d'une laveuse-sécheuse tout-en-un sans filtre à charpie, il sera possible de voir plus d'accumulation de charpie sur le joint de porte que pour une laveuse typique.

#### Nettoyage du joint de la porte

1. Ouvrir la porte de la machine et retirer tout vêtement ou article de la machine.
2. Inspecter le joint gris entre l'embrasure de la porte et le tambour – noter toute zone tachée, l'accumulation de souillures ou de charpie. Tirer sur le joint pour examiner complètement la zone qui se trouve en dessous et vérifier qu'elle est libre de tout objet étranger ou de toute charpie.
3. S'il y a des zones tachées, d'accumulation de souillures ou de charpie, nettoyer ces zones du joint par essuyage, selon l'une des deux méthodes ci-dessous :

##### a. Procédure de nettoyage avec lingettes affresh® :

- i. Une fois le programme terminé, tirer doucement sur le joint en caoutchouc de la porte et nettoyer toute la surface avec la face rugueuse de la lingette de nettoyage pour laveuse affresh®.

##### b. Procédure de nettoyage avec de l'eau de Javel diluée :

- i. Préparer une solution diluée d'eau de Javel – 3/4 tasse (177 mL) d'eau de Javel et 1 gallon (3,8 L) d'eau tiède puisée au robinet.
- ii. Essuyer la zone du joint avec la solution diluée, en utilisant un chiffon humide.
- iii. Laisser agir pendant 5 minutes.
- iv. Essuyer parfaitement la surface du joint avec un chiffon sec, et laisser la porte de la machine ouverte pour que l'intérieur puisse sécher.

#### IMPORTANT :

- Porter des gants de caoutchouc lors du nettoyage avec de l'eau de Javel.
- Consulter les instructions du fabricant de l'eau de javel pour une utilisation correcte.

#### Nettoyage de l'intérieur de la laveuse-sécheuse tout-en-un

Cette machine comporte un programme spécial qui utilise un volume d'eau plus important en conjonction avec le nettoyant pour laveuse affresh® ou l'eau de Javel ordinaire pour nettoyer à fond l'intérieur de la machine. Les modèles avec génération de vapeur utilisent aussi la vapeur avec ce programme spécial pour le nettoyage approfondi de la machine.

**IMPORTANT :** Ne pas utiliser de l'eau de Javel épaisse, facile à verser ou anti-éclaboussure lorsque le programme Clean Washer with affresh® (Nettoyage de la laveuse avec affresh®) est en cours, car cela peut entraîner une surproduction de mousse.

**REMARQUE :** Lire ces instructions complètement avant de lancer la procédure de nettoyage.

## Début de la procédure

### 1. Nettoyer la laveuse à l'aide du programme Clean Washer with affresh® (Nettoyage de la laveuse avec affresh®) (recommandé pour une performance optimale) :

- Ouvrir la porte de la machine; retirer tous les articles présents dans la machine.
- Utiliser une lingette de nettoyage pour machine affresh®, un tissu doux mouillé ou une éponge pour nettoyer l'intérieur de la porte en verre.
- Ajouter une pastille de nettoyant pour laveuse affresh® dans le tambour de la machine.
- Ne pas ajouter la pastille de nettoyant pour laveuse affresh® dans le tiroir distributeur.
- Ne pas ajouter de détergent ou autre composé chimique dans la machine lors de l'exécution de cette procédure.
- Fermer la porte de la machine.
- Sélectionner le programme Clean Washer with affresh® (Nettoyage de la laveuse avec affresh®).
- Sur certains modèles** : Sélectionner l'option FanFresh® pour mieux sécher l'intérieur de la machine une fois le programme terminé.  
**REMARQUE** : La machine garde en mémoire la dernière sélection d'options et la sélectionnera pour les prochains programmes de lavage, à moins que cette option soit retirée.
- Toucher et maintenir enfoncé le bouton de START/PAUSE (MISE EN MARCHE/PAUSE) pour démarrer le programme. Le programme Clean Washer with affresh® (Nettoyage de la laveuse avec affresh®) est décrit cidessous.

### 2. Méthode avec de l'eau de Javel :

- Ouvrir la porte de la machine; retirer tous les articles présents dans la machine.
- Ouvrir le tiroir distributeur pour charge unique et ajouter de l'eau de Javel jusqu'à la ligne « MAX » à la fois dans les compartiments d'eau de Javel et d'assouplissant de tissu. On peut utiliser un agent de blanchiment au chlore HE ou traditionnel.  
**IMPORTANT** : Ne pas utiliser d'agent de blanchiment épais, facile à verser ou anti-éclaboussure, car cela peut entraîner une surproduction de mousse.  
**REMARQUE** : L'emploi d'une quantité d'eau de Javel supérieure à ce qui est recommandé ci-dessus pourrait endommager la machine avec le temps.
- Fermer la porte de la machine et le tiroir distributeur.
- Ne pas ajouter de détergent ou autre composé chimique dans la machine lors de l'exécution de cette procédure.
- Sélectionner le programme Clean Washer with affresh® (Nettoyage de la laveuse avec affresh®).
- Sur certains modèles** : Sélectionner l'option FanFresh® pour mieux sécher l'intérieur de la machine une fois le programme terminé.  
**REMARQUE** : La machine garde en mémoire la dernière sélection d'options et la sélectionnera pour les prochains programmes de lavage, à moins que cette option soit retirée.
- Toucher et maintenir enfoncé le bouton de START/PAUSE (MISE EN MARCHE/PAUSE) pour démarrer le programme. Le programme Clean Washer with affresh® (Nettoyage de la laveuse avec affresh®) est décrit cidessous.  
**REMARQUE** : Pour de meilleurs résultats, ne pas interrompre le programme.

## Description du programme Clean Washer with affresh® (Nettoyage de la laveuse avec affresh®) :

- Le programme Clean Washer with affresh® (Nettoyage de la laveuse avec affresh®) détecte la présence éventuelle de vêtements dans la machine.
- Si aucun article n'est détecté dans la machine, l'exécution du programme se poursuit.
  - Si des articles sont détectés dans la machine, « rL » (retirer la charge) s'affiche pour indiquer qu'il faut retirer la charge. La porte se déverrouille. Ouvrir la machine et retirer tous les vêtements qui se trouvent dans le tambour de la machine.
  - Toucher le bouton POWER (MISE SOUS TENSION) pour effacer le code « rL ».
  - Toucher et maintenir enfoncé le bouton START/PAUSE (MISE EN MARCHE/PAUSE) pour redémarrer le programme.
- Modèles à vapeur uniquement** : Durant ses 20 premières minutes, le programme active la génération de vapeur, mais le tambour ne tourne pas et ne se remplit pas d'eau. De la condensation peut se former sur la porte en verre durant cette phase initiale. En cas d'utilisation d'une pastille de nettoyant pour laveuse affresh®, celle-ci ne se dissout pas entièrement durant la phase de génération de vapeur. Ceci est normal.  
À la fin du programme, laisser la porte entrouverte pour permettre une meilleure ventilation et pour que l'intérieur de la machine puisse sécher.

### Nettoyage des distributeurs

Après avoir utilisé le programme Clean Washer with affresh® (Nettoyage de la laveuse avec affresh®), on peut parfois constater une accumulation de résidus dans les distributeurs de la machine.

Pour éliminer les résidus du distributeur pour charge unique, retirer le tiroir et essuyer les surfaces avec une lingette de nettoyage pour laveuse affresh® ou un chiffon humide, et sécher avec une serviette avant ou après l'exécution du programme Clean Washer with affresh® (Nettoyage de la laveuse avec affresh®). Si nécessaire, utiliser un nettoyant tout usage.

Sur certains modèles : Pour retirer les résidus du distributeur Load & Go™, soulever la poignée sur le boîtier du distributeur et tirer pour le retirer de la caisse de la machine; rincer ensuite le distributeur à fond avec de l'eau courante. Essuyer la surface externe du distributeur avec une lingette de nettoyage pour laveuse affresh® ou un chiffon humide, et sécher avec une serviette. Si nécessaire, utiliser un nettoyant tout usage.

Replacer le distributeur dans la caisse de la machine en s'assurant qu'il est bien placé.

**REMARQUE** : Les distributeurs ne sont pas lavables au lave-vaisselle.

### Nettoyage de l'extérieur de la laveuse-sécheuse tout-en-un

Utiliser une lingette de nettoyage pour laveuse affresh® ou un chiffon doux mouillé ou une éponge pour essuyer tout renversement. Essuyer de temps en temps les surfaces externes de la machine pour entretenir son aspect neuf. Utiliser une lingette de nettoyage pour laveuse affresh® ou de l'eau et du savon doux.

**IMPORTANT** : Afin d'éviter d'endommager le revêtement de la machine, ne pas utiliser de produits abrasifs.

## Rappel de lancement du programme de nettoyage de la laveuse

**REMARQUE** : Les modèles ne sont pas tous équipés du témoin lumineux Clean Washer with affresh® (Nettoyage de la laveuse avec affresh®).

Le témoin DEL Clean Washer with affresh® (Nettoyage de la laveuse avec affresh®) clignote à la fin d'un programme, après

que la machine a effectué 30 programmes de lavage. Il fait office de rappel indiquant à l'utilisateur qu'il faut faire fonctionner le programme Clean Washer with affresh® (Nettoyage de la laveuse avec affresh®).

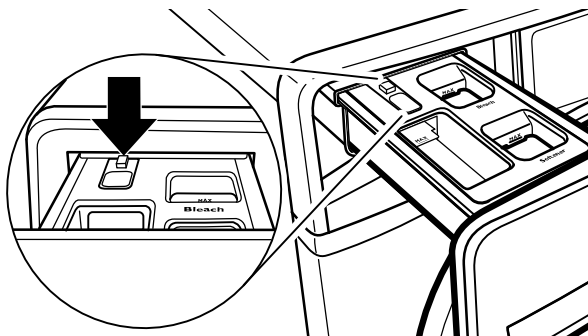
Si le programme Clean Washer with affresh® (Nettoyage de la laveuse avec affresh®) n'est pas activé, le témoin DEL cesse de clignoter à la fin d'un programme de lavage après que la laveuse a effectué trois programmes de lavage ordinaires supplémentaires. Après que la laveuse a effectué 30 programmes de lavage supplémentaires, le témoin DEL Clean Washer with affresh® (Nettoyage de la laveuse avec affresh®) clignote à nouveau à la fin d'un programme de lavage en guise de rappel.

## RETRAIT DU DISTRIBUTEUR

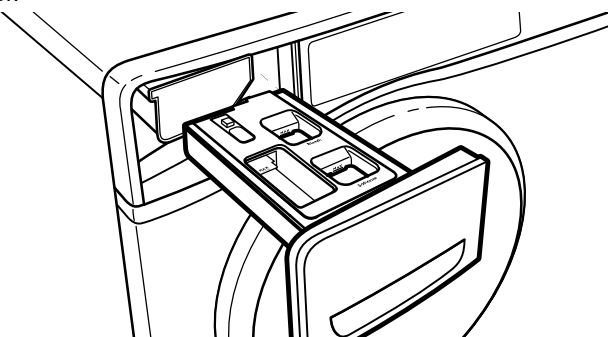
### Tiroir distributeur pour charge unique

#### Pour enlever :

1. Retirer le tiroir distributeur jusqu'en butée.
2. Appuyer sur la patte de déverrouillage et dégager le distributeur en le tirant tout droit.

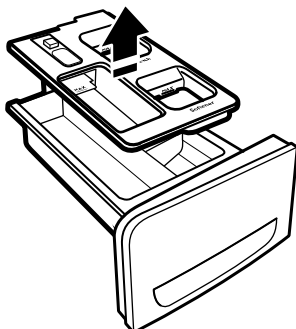


3. Soulever le couvercle et le tirer tout droit vers le haut pour le retirer.



#### Pour replacer :

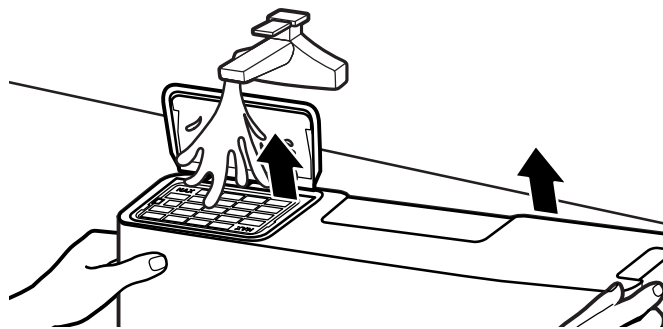
1. Positionner le couvercle sur les ergots du distributeur. Appliquer une légère pression sur le couvercle pour le mettre en place.
2. Aligner les bords du distributeur avec les guides situés dans la machine, puis réinsérer le distributeur dans la fente en le faisant glisser.



## Nettoyage du distributeur Load & Go™ (sur certains modèles)

Il est recommandé de rincer les distributeurs Load & Go™ avant le remplissage, lorsqu'on change de type ou de concentration de détergent ou si on n'utilise pas la machine pendant une période prolongée.

1. Retirer le tiroir distributeur jusqu'en butée.
2. Sortir les distributeurs Load & Go™.
3. Soulever le couvercle de remplissage et vidanger l'intérieur soigneusement à l'eau chaude.



4. Laisser sécher à l'air.

## Non-utilisation et entretien avant les vacances

Faire fonctionner la machine seulement lorsqu'on est présent. Lors d'un déménagement ou lorsque la machine n'est pas utilisée pendant longtemps, suivre les étapes suivantes :

1. Débrancher la machine ou déconnecter la source de courant électrique.
2. Fermer l'alimentation en eau à la machine pour éviter toute inondation due à une surpression.

**CONSEIL UTILE :** Fixer une note de rappel à la machine d'ouvrir le robinet d'eau avant de l'utiliser à nouveau.

3. Nettoyer les distributeurs. Voir la section « Nettoyage des distributeurs ».

## Entretien pour entreposage hivernal

**IMPORTANT :** Pour éviter tout dommage, installer et remettre la machine à l'abri du gel. L'eau qui peut rester dans les tuyaux risque d'abîmer la machine en temps de gel. Si la machine doit faire l'objet d'un déménagement ou d'un entreposage au cours d'une période de gel, hiverner la laveuse.

#### Pour hiverner la machine :

1. Fermer les deux robinets d'eau; puis déconnecter et vidanger les tuyaux d'arrivée d'eau.

**CONSEIL UTILE :** Fixer une note de rappel à la machine d'ouvrir le robinet d'eau avant de l'utiliser à nouveau.

2. Placer 1 pte (1 L) d'antigel pour véhicule récréatif dans le tambour de la machine et faire fonctionner la machine sur un programme Normal pendant environ 2 minutes pour mélanger l'antigel et l'eau restante.
3. Débrancher la machine ou déconnecter la source de courant électrique.

## Transport de la laveuse/sécheuse tout-en-un

1. Fermer les deux robinets d'eau. Débrancher et vidanger les tuyaux d'arrivée d'eau.
2. Pour déplacer la machine pendant une période de gel, suivre les instructions de la section « Entretien pour entreposage hivernal » avant de le déplacer.
3. Déconnecter le tuyau d'évacuation du système d'évacuation et de l'arrière de la machine.



4. Débrancher le cordon d'alimentation.
5. Placer les tuyaux d'arrivée d'eau et le tuyau d'évacuation dans le tambour de la machine.
6. Enrouler le cordon d'alimentation et l'attacher avec un élastique ou avec un attache-câbles pour l'empêcher de traîner sur le plancher.

**IMPORTANT :** Demander une intervention de dépannage si l'on doit installer de nouveaux boulons de transport. Ne pas réutiliser les boulons de transport. La machine doit être transportée en position verticale. Afin d'éviter d'endommager la structure de la machine, celle-ci doit être correctement installée pour pouvoir être déplacée par un technicien agréé.

## ⚠ AVERTISSEMENT



### Risque de décharge électrique

**Brancher l'appareil sur une prise à 3 alvéoles reliée à la terre.**

**Ne pas enlever la prise de liaison à la terre.**

**Ne pas utiliser d'adaptateur.**

**Ne pas utiliser de rallonge.**

**Le non-respect de ces instructions peut causer un décès, un incendie ou une décharge électrique.**

## Réinstallation/réutilisation

Pour réinstaller la machine après une période de non-utilisation, de vacances, de remisage pour l'hiver ou après un déménagement :

1. Consulter les instructions d'installation pour choisir l'emplacement, régler l'aplomb de la machine et la raccorder.
2. Avant de réutiliser la machine, exécuter la procédure recommandée suivante :

### Remise en marche de la machine :

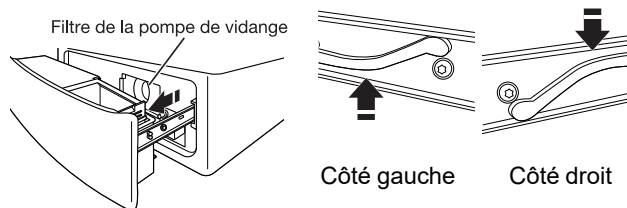
1. Vidanger les canalisations d'eau et les tuyaux. Reconnecter les tuyaux d'arrivée d'eau. Ouvrir les deux robinets d'eau.
2. Brancher la machine ou reconnecter la source de courant électrique.
3. Faire exécuter à la machine le programme Heavy Duty (Service intense) pour nettoyer la machine et éliminer l'antigel, le cas échéant. Utiliser uniquement du détergent HE. Utiliser la moitié de la quantité recommandée par le fabricant pour une charge de taille moyenne.

## Nettoyage du filtre de la pompe de vidange/vidange de l'eau résiduelle (sur certains modèles)

**REMARQUE :** Effectuer la procédure suivante de temps en temps.

**IMPORTANT :** S'assurer que la machine est éteinte avant de nettoyer le filtre de la pompe de vidange.

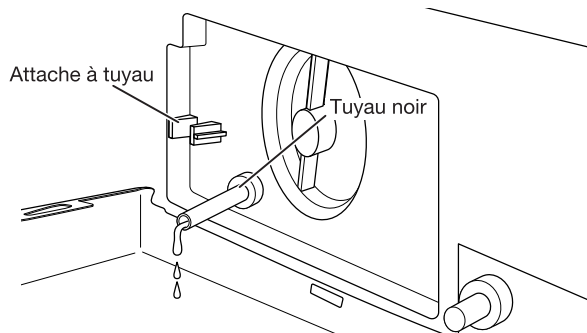
1. Ouvrir le tiroir distributeur en tirant sur la poignée à la base de la machine. Ceci permet de révéler le filtre de la pompe de vidange. Retirer le tiroir en relâchant les languettes de chaque côté.



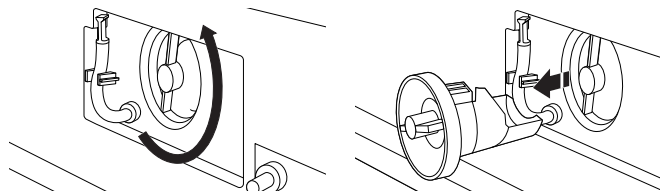
Avec son doigt, déplacer vers le haut la languette située sur le côté droit du tiroir et déplacer vers le haut la languette située sur le côté gauche du tiroir.

2. Placer un récipient plat sous le filtre de la pompe de vidange pour ramasser l'eau de vidange. Dégager le tuyau noir du collier de serrage, retirer le bouchon et vidanger le tuyau dans le récipient. Vider le contenant. Répéter au besoin la procédure jusqu'à ce qu'il n'y ait plus d'eau. S'assurer que le tuyau noir est complètement sec, replacer le bouchon et fixer le tuyau dans l'attache.

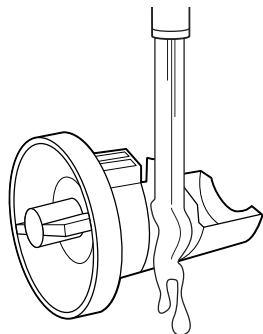
**REMARQUE :** Si l'eau ne se vidange pas bien, pousser légèrement le tuyau pour éliminer de possibles plis.



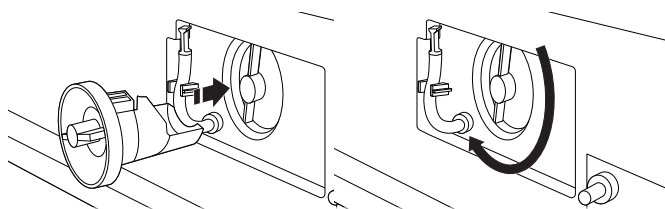
3. Placer un chiffon en coton sous le filtre de la pompe de vidange pour absorber l'eau restante. Retirer ensuite le filtre de la pompe de vidange en le tournant en sens antihoraire.



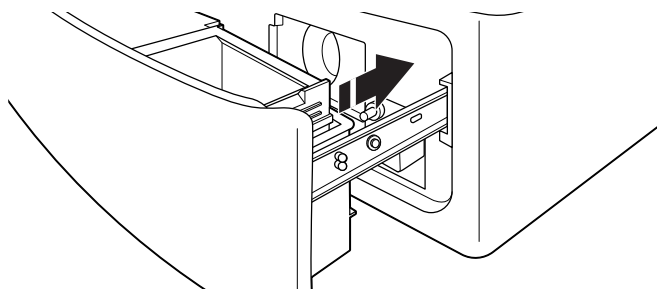
4. Vérifier le filtre de la pompe une fois par mois. Retirer la charpie du filtre à la main et la jeter de façon appropriée. Enlever les résidus restants du filtre en le rinçant à l'eau.



5. Replacer le filtre de la pompe de vidange en le tournant en sens horaire. S'assurer de tourner aussi loin que possible en gardant la poignée du filtre en position verticale.

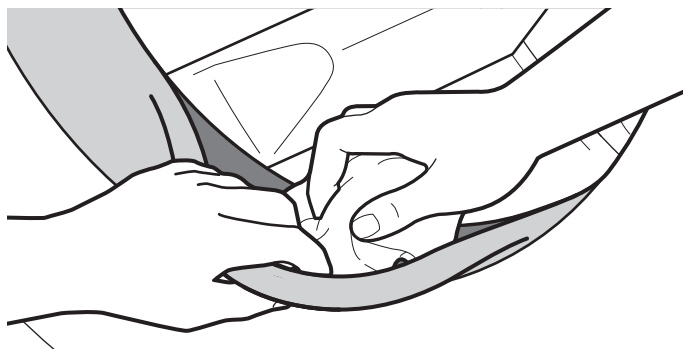


6. Replacer et fermer le tiroir distributeur. S'assurer d'insérer les deux rails simultanément lors du remplacement du tiroir. Un dé clic se fait entendre indiquant que les rails sont engagés. Pour assurer un positionnement correct du tiroir, le retirer complètement. Le tiroir doit être complètement engagé et les rails verrouillés en place. S'assurer que le tuyau de vidange est bien fixé dans l'attache de tuyau et rentré sous la découpe.



## Nettoyage supplémentaire

Retirer doucement le joint de porte en caoutchouc et nettoyer les zones tachées, l'accumulation de saleté ou de charpie avec le côté texturé d'une lingette de nettoyage pour laveuse affresh®.



## INSTRUCTIONS D'INSTALLATION

### ⚠ AVERTISSEMENT

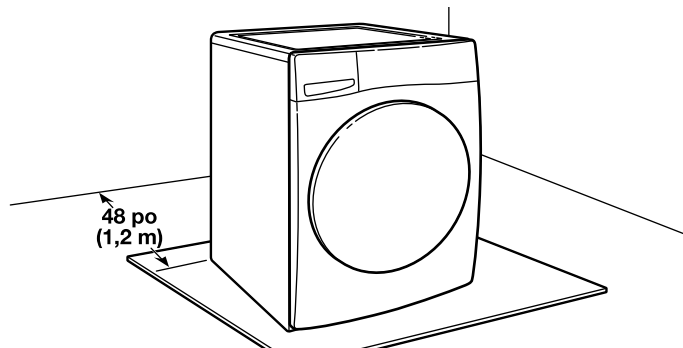
**Risque de poids excessif**

Utiliser deux personnes ou plus pour déplacer et installer l'appareil.

Le non-respect de cette instruction peut causer une blessure au dos ou d'autres blessures.

**REMARQUE :** Pour éviter d'endommager le plancher, installer la machine sur un carton avant de la déplacer.

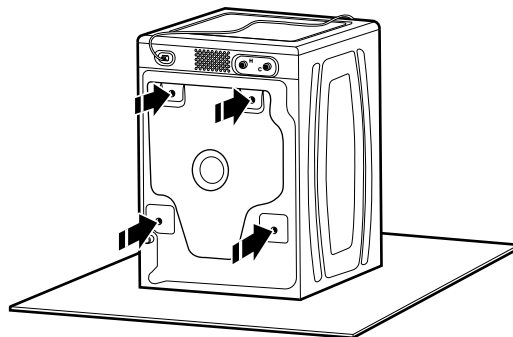
### Déplacement de la laveuse-sécheuse tout-en-un



Il est nécessaire de retirer tout le matériel d'expédition pour un fonctionnement correct et pour éviter que la machine ne fasse trop de bruit.

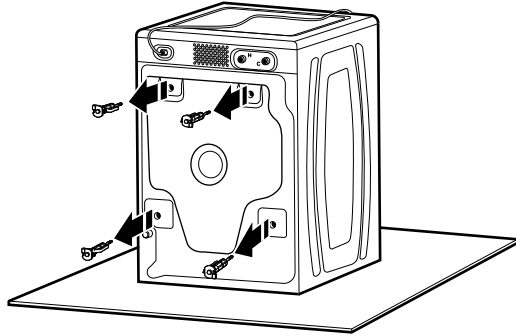
Approcher la machine jusqu'à environ 4 pi (1,2 m) de son emplacement d'installation final. Elle doit être en position debout.

### Localiser les boulons de transport



Repérer les quatre boulons de transport à l'arrière de la machine.

## Retirer les boulons de transport de la laveuse/sécheuse tout-en-un



Desserrer les boulons avec une clé à molette de 5/8 po (16 mm). Glisser chaque boulon et cale au centre du trou.

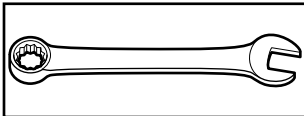
Retirer les boulons et cales d'espacement en plastique de l'arrière de la machine. Jeter les boulons et cales d'espacement.

**REMARQUE :** Ne pas brancher la machine avant la fin de l'installation.

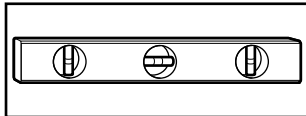
## SPÉCIFICATIONS

### Outils et pièces

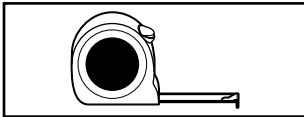
#### Outils nécessaires :



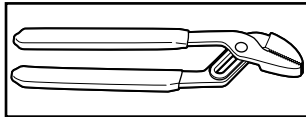
Clés plates ou clés à molette de 1/2 po (13 mm), 5/8 po (16 mm) et 9/16 po (14 mm)



Niveau

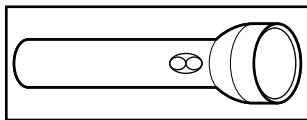


Règle ou ruban à mesurer

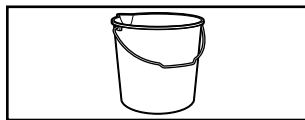


Pince – ouverture jusqu'à 1 9/16 po (39,5 mm)

#### Outils facultatifs

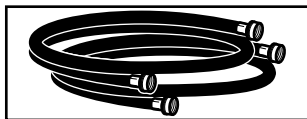


Lampe de poche

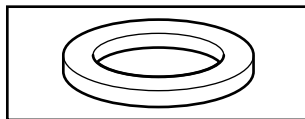


Bac

#### Pièces nécessaires (non fournies avec la machine) :



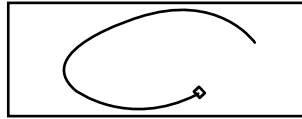
Tuyaux d'admission d'eau (2)



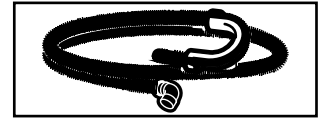
Rondelles plates pour tuyau d'arrivée d'eau (4)

### Pièces nécessaires (non fournies avec la machine) :

**REMARQUE :** Toutes les pièces fournies pour l'installation se trouvent dans le panier de la machine.



Attache mono-usage



Tuyau de vidange avec bride et bride de retenue (peuvent être livrés non montés)

### Accessoires disponibles :

Vous pouvez obtenir un piédestal facultatif assorti pour la machine. Veuillez communiquer avec votre détaillant pour obtenir les informations de commande ou consultez la section « Assistance ou entretien » du Guide de démarrage rapide.

### Pièces supplémentaires (non fournies avec la machine) :

Il se peut que l'installation nécessite des pièces supplémentaires. Pour commander, composer le numéro sans frais dans le Guide de démarrage rapide.

#### Si vous avez :

Égout surélevé

#### Il vous faudra :

Tuyau rigide d'évacuation standard de 20 gal (76 L) de 39 po (990 mm) de haut ou évier de décharge pompe de puisard, et connecteurs (offerts chez les vendeurs de matériel de plomberie locaux)

**Tuyaux d'arrivée d'eau supplémentaires** (peuvent être nécessaire pour certaines installations; ne sont pas fournis avec la machine) :

- 8212656RP Tuyau d'arrivée d'eau de 10 pi (3 m), EPDM noir (ensemble de 2)
- 8212641RP Tuyau d'arrivée d'eau de 5 pi (1,5 m), EPDM noirs (ensemble de 2)
- 8212546RP Tuyau d'arrivée d'eau de 4 pi (1,2 m), EPDM noirs (ensemble de 2)
- 8212545RP Tuyau d'arrivée d'eau de 5 pi (1,5 m), EPDM rouge et bleu (ensemble de 2)
- 8212487RP Tuyau d'arrivée d'eau en nylon tressé de 5 pi (1,5 m) (ensemble de 2)
- 8212638RP Tuyau d'arrivée en nylon tressé de 6 pi (1,8 m), coude compact de 90°, raccords hydro-blue en acier (ensemble de 2)

## Exigences d'emplacement

C'est à l'utilisateur qu'incombe la responsabilité de réaliser une installation correcte.

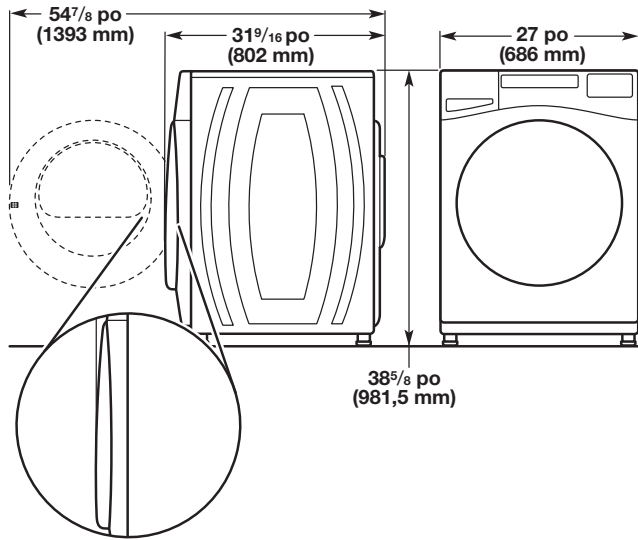
#### Il faut :

- Un chauffe-eau réglé à 120 °F (49 °C).
- Une prise électrique reliée à la terre et située à moins de 6 pi (1,8 m) du cordon d'alimentation à l'arrière de la machine.
- Des robinets d'eau chaude et d'eau froide situés à moins de 4 pi (1,2 m) des électrovannes de remplissage d'eau chaude et d'eau froide sur la machine, et une pression d'eau de 20 à 100 lb/po<sup>2</sup> (137,9 à 689,6 kPa).

- Un plancher de niveau avec une pente maximale de 1 po (25 mm) sous l'ensemble de la machine. Il n'est pas recommandé de l'installer sur un tapis, de la moquette ou des surfaces avec endos en mousse.
- Un plancher capable de supporter le poids total de 315 lb (143 kg) de la machine (eau et charge compris).

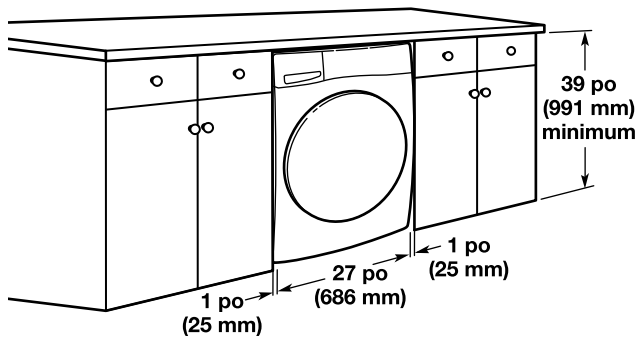
**IMPORTANT :** Ne pas installer, remettre ou faire fonctionner la machine à un emplacement où elle sera exposée aux intempéries ou à des températures inférieures à 32 °F (0 °C). De l'eau restée dans la machine après utilisation peut causer des dommages à basse température. Voir la section « Entretien de la laveuse/sécheuse tout-en-un » pour des renseignements sur la préparation pour l'hiver.

**Whirlpool® Modèles\***

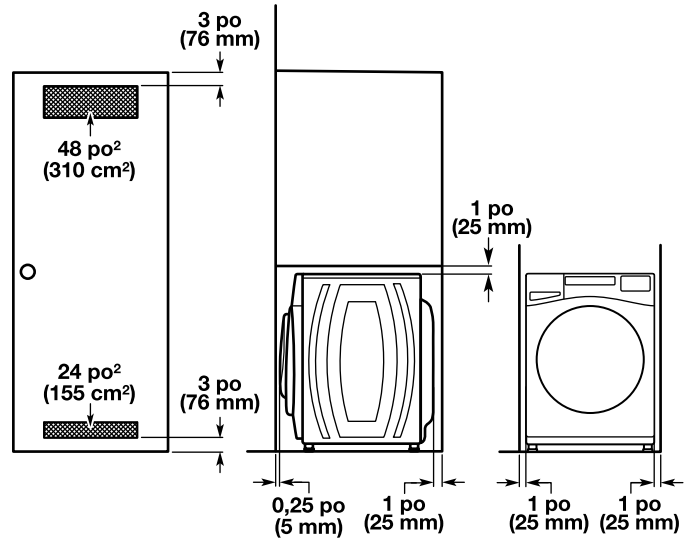


\*Pour des détails supplémentaires (ou des informations) à votre modèle, consulter les « Dimensions » de votre modèle au [www.whirlpool.ca/propretaire](http://www.whirlpool.ca/propretaire).

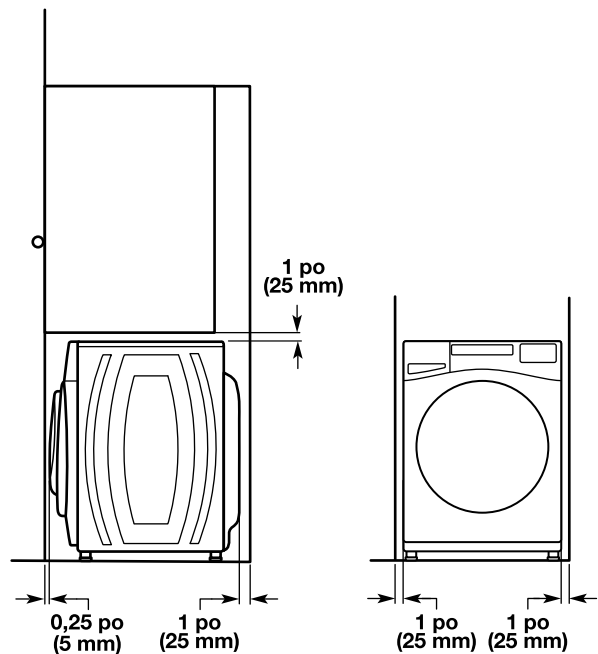
**Installation sous comptoir personnalisée :**



**Installation dans un encastrement ou armoire :**



**Installation dans une armoire personnalisée :**

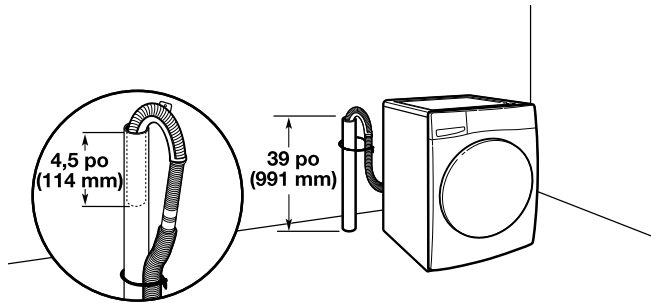


## Système de vidange

Le système de vidange peut être installé à l'aide d'un conduit d'évacuation au plancher, un tuyau de rejet à l'égout mural (rigide), un tuyau de rejet à l'égout au plancher (rigide) ou de un évier buanderie. Sélectionner la méthode à utiliser.

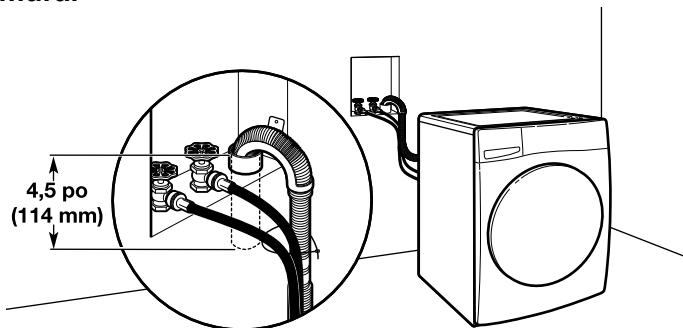
**IMPORTANT :** Pour éviter un effet de siphon, ne pas introduire plus de 4,5 po (114 mm) de tuyau de vidange à l'intérieur du tuyau de rejet à l'égout ou sous la partie supérieure de la cuve de lavage. Immobiliser le tuyau de vidange avec le serre-câbles.

### Système de vidange avec tuyau de rejet à l'égout au plancher



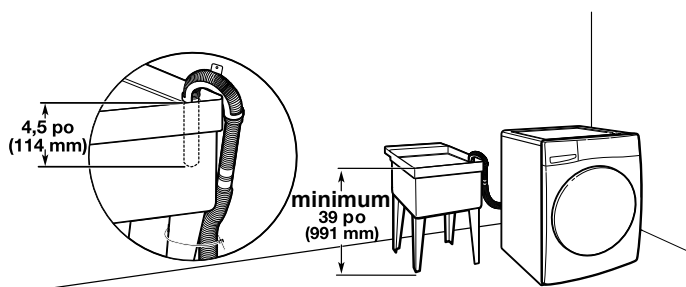
Diamètre minimum pour un tuyau de rejet à l'égout : 2 po (51 mm). Capacité minimale d'acheminement : 17 gallons (64 L) par minute. Un ensemble d'adaptation pour tuyau de rejet à l'égout pour diamètre de 1/4 po (6 mm) vers diamètre de 1 po (25 mm) est offert (numéro de pièce 3363920). Le haut du tuyau de rejet à l'égout doit être à au moins 39 po (991 mm) du sol, mais pas à plus de 96 po (2,44 m) du bas de la machine. Si la canalisation de vidange est au-dessus de la tête et que l'eau doit être pompée à plus de 96 po (2,44 m), une pompe de puisard et sa quincaillerie seront nécessaires. Consulter le point « Pièces facultatives ».

### Système de vidange avec tuyau de rejet à l'égout mural

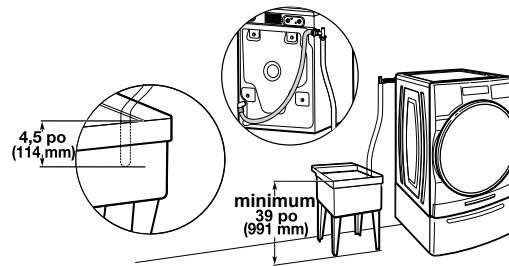


Voir les exigences dans la section « système de vidange avec tuyau de rejet à l'égout au plancher ».

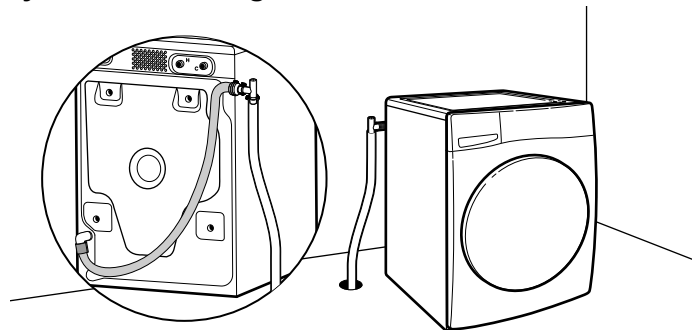
### Système de vidange dans un évier de buanderie



Capacité minimale : 20 gallons (76 L). Le haut de l'évier de buanderie doit être à au moins 39 po (991 mm) du sol, mais pas à plus de 96 po (2,44 m) du bas de la machine.



### Système de vidange au sol



Le système de vidange au plancher nécessite un ensemble brise-siphon, 2 ensembles de raccordement et une rallonge de tuyau de vidange qui peuvent être achetés séparément. Veuillez communiquer avec votre détaillant pour obtenir les informations de commande ou consultez la section « Assistance ou entretien » du guide de démarrage rapide. Hauteur minimale du guide de démarrage rapide. Hauteur minimale du brise-siphon : 28 po (710 mm) à partir du bas de la machine. (Des tuyaux supplémentaires peuvent être requis.)

## Spécifications électriques

### **⚠ AVERTISSEMENT**



#### Risque de décharge électrique

**Brancher l'appareil sur une prise à 3 alvéoles reliée à la terre.**

**Ne pas enlever la prise de liaison à la terre.**

**Ne pas utiliser d'adaptateur.**

**Ne pas utiliser de rallonge.**

**Le non-respect de ces instructions peut causer un décès, un incendie ou une décharge électrique.**

- Une source d'alimentation de 120 V CA à 60 Hz uniquement et protégée par fusible de 15 A ou 20 A est nécessaire. On recommande d'utiliser un fusible ou un disjoncteur temporisé. Il est recommandé de raccorder l'appareil sur un circuit distinct exclusif à cet appareil.
- Cette machine comporte un cordon d'alimentation électrique à trois broches pour liaison à la terre.
- Pour minimiser les risques de décharge électrique, on doit brancher le cordon sur une prise de courant de configuration correspondante, à 3 alvéoles reliée à la terre et installée conformément aux codes et règlements locaux. Si une prise de courant de configuration correspondante n'est pas accessible, le client a la responsabilité et l'obligation de faire installer par un électricien qualifié une prise de courant correctement reliée à la terre.
- Si les codes le permettent et si on utilise un conducteur distinct de liaison à la terre, il est recommandé qu'un électricien qualifié vérifie la qualité de la liaison à la terre.
- Ne pas utiliser une tuyauterie de gaz pour le raccordement à la terre.
- En cas de doute quant à la qualité de la mise à la terre de la machine, consulter un électricien qualifié.
- Ne pas installer un fusible dans le conducteur neutre ou le circuit de mise à la terre.

### INSTRUCTIONS DE LIAISON À LA TERRE

**Pour un appareil avec liaison à la terre et cordon d'alimentation :**

Cet appareil doit être relié à la terre. En cas d'anomalie de fonctionnement ou de panne, la liaison à la terre réduira le risque de décharge électrique en offrant au courant électrique un itinéraire d'évacuation de moindre résistance. L'appareil est doté d'un cordon électrique comportant un conducteur de mise à la terre d'équipement et une fiche de branchement de liaison à la terre. La fiche doit être branchée sur une prise de courant appropriée qui soit bien installée et reliée à la terre conformément à tous les codes et règlements locaux.

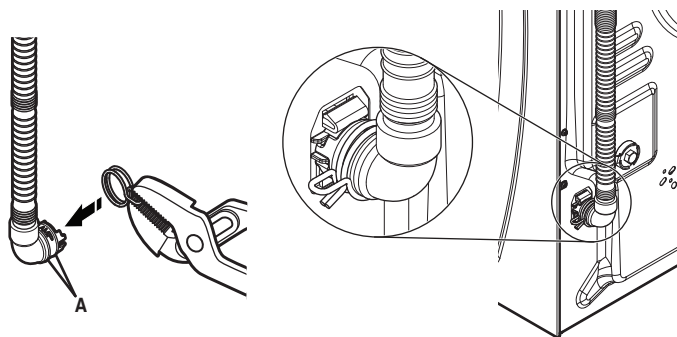
**AVERTISSEMENT :** Un raccordement inapproprié du conducteur de mise à la terre de l'équipement peut causer un risque de décharge électrique. En cas de doute quant à la qualité de la mise à la terre de l'appareil, consulter un électricien ou un technicien d'entretien qualifié. Ne pas modifier la fiche fournie avec cet appareil; si elle ne correspond pas à la prise de sortie, faire installer une prise appropriée par un électricien qualifié.

**CONSERVER CES INSTRUCTIONS**

## INSTALLATION

### Raccordement du tuyau de vidange

#### Fixation du tuyau de vidange à l'orifice de vidange



A. Côtes

Si la bride n'est pas déjà installée sur l'extrémité coudée du tuyau de vidange, serrer la bride avec une pince et faire glisser la bride sur l'extrémité du tuyau en la centrant entre les rainures comme illustré. Serrer la bride avec une pince et faire glisser l'extrémité coudée du tuyau de vidange sur l'orifice de vidange de la laveuse, puis fixer avec la bride.

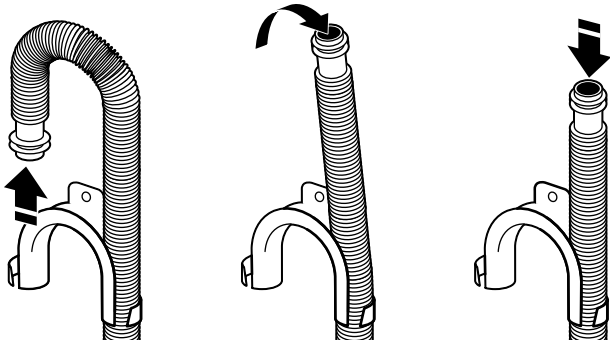
Pour un évier de buanderie ou un tuyau de rejet à l'égout, consulter les étapes précédentes/suivantes.

Pour une vidange au plancher, retirer la bride retenue pour tuyau de vidange préinstallée, comme indiqué aux étapes précédentes/suivantes. Des pièces supplémentaires avec des directives distinctes seront peut-être nécessaires. Consulter le point « pièces facultatives ».

Il incombe à l'installateur d'installer et de fixer solidement le tuyau de vidange à la canalisation d'évacuation de manière que le tuyau de vidange ne puisse sortir et causer d'éventuelles fuites de la canalisation d'évacuation.

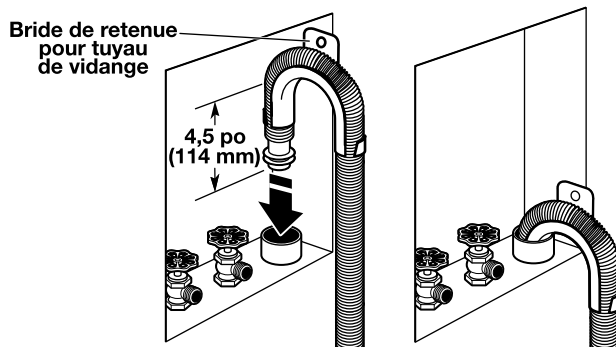


## Enlever la bride de retenue pour tuyau de vidange (installations avec vidange au plancher seulement)



Pour les installations avec vidange au plancher, il faut retirer la bride de retenue pour tuyau de vidange de l'extrémité du tuyau de vidange. Des pièces supplémentaires avec des directives distinctes seront peut-être nécessaires. Voir la section « Pièces supplémentaires ».

## Placer le tuyau de vidange dans le tuyau de rejet à l'égout

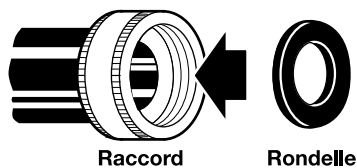


Placer le tuyau dans le tuyau de rejet à l'égout (illustré à l'image) ou par-dessus le côté de l'évier de buanderie.

**IMPORTANT :** 4,5 po (114 mm) de tuyau de vidange soit se trouver à l'intérieur du tuyau de rejet à l'égout; ne pas forcer l'excédent du tuyau dans le tuyau de rejet à l'égout ni le placer dans l'évier de buanderie. On doit utiliser la bride de retenue pour tuyau de vidange.

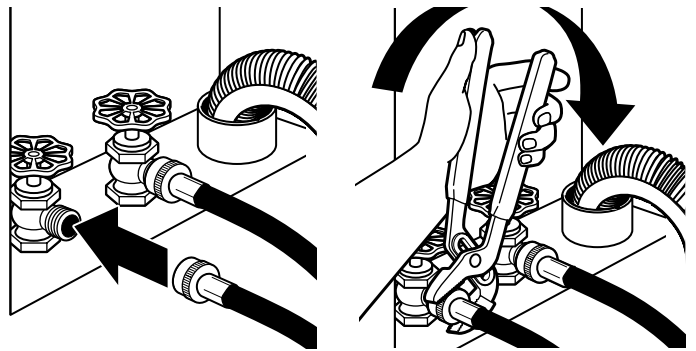
## Raccordement du tuyau d'alimentation

Insérer les rondelles plates neuves



**IMPORTANT :** Afin d'éviter toute fuite, vérifier que les tuyaux d'arrivée d'eau comportent des rondelles d'étanchéité plates aux deux extrémités. La machine doit être raccordée aux robinets d'eau à l'aide des tuyaux d'arrivée d'eau et des rondelles neuves (non compris). Ne pas utiliser de tuyaux usagés. Ne pas utiliser de tuyaux sans installer de rondelles d'étanchéité.

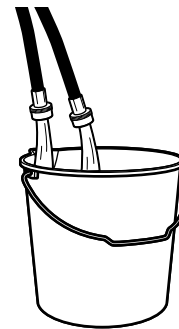
## Connecter les tuyaux d'arrivée d'eau aux robinets



**IMPORTANT :** Ne pas serrer excessivement ni utiliser de ruban adhésif ou de dispositifs d'étanchéité lors de la fixation des robinets ou de la machine. Cela pourrait entraîner des dommages.

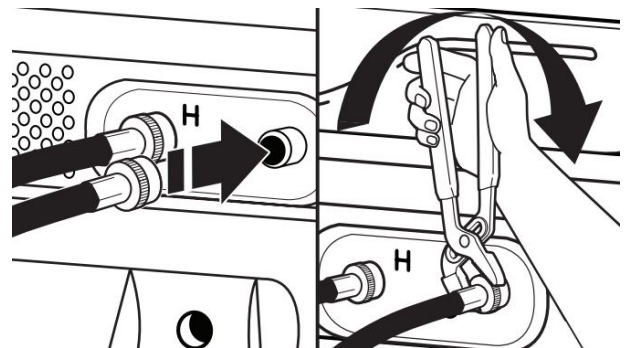
Fixer le tuyau dont l'étiquette porte la mention « hot » (chaud) au robinet d'eau chaude. Visser le raccord à la main pour qu'il repose sur la rondelle. Serrer les raccords de deux tiers de tour supplémentaires à l'aide d'une pince. Répéter cette étape avec le tuyau portant la mention « cold » (froide) pour le robinet d'eau froide. Les deux tuyaux doivent être raccordés pour que la machine fonctionne correctement.

## Purger les canalisations d'eau



Faire couler de l'eau dans les tuyaux de l'évier de buanderie, le tuyau rigide de rejet à l'égout ou le seau pendant quelques secondes pour prévenir toute obstruction. On doit laisser couler l'eau jusqu'à ce qu'elle soit limpide.

## Connecter les tuyaux d'arrivée d'eau à la machine

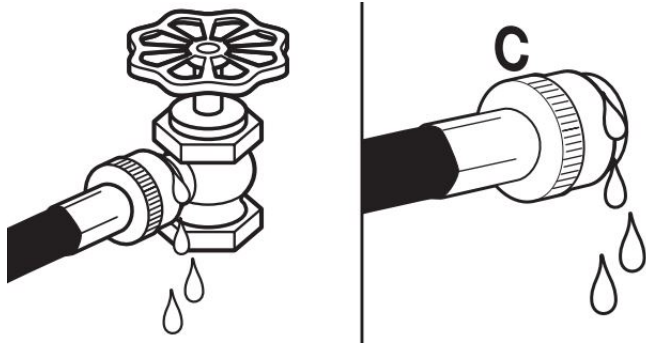


**IMPORTANT :** Pour réduire le risque de défaillance des tuyaux, remplacer les tuyaux tous les 5 ans. Inscrire la date d'installation ou de remplacement des tuyaux pour référence ultérieure.

- Ne pas serrer excessivement le tuyau, utiliser du ruban adhésif ou un calfeutrant sur le robinet. Les robinets risquent d'être endommagés.
- Inspecter périodiquement les tuyaux et les remplacer en cas de renflement, de déformation, de coupure, d'usure ou de fuite.

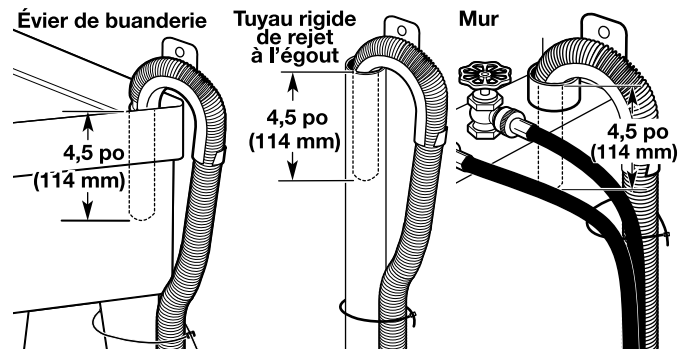
Fixer le tuyau d'eau chaude au robinet d'arrivée d'eau chaude. Visser le raccord à la main jusqu'à ce qu'il soit bien serré. Serrer les raccords de deux tiers de tour supplémentaires à l'aide d'une pince. Répéter pour le robinet d'eau froide.

### Recherche de fuites



Ouvrir doucement les robinets d'eau pour vérifier qu'il n'y a pas de fuites. Une petite quantité d'eau peut entrer dans la machine. Elle s'évacuera plus tard.

### Immobiliser le tuyau de vidange



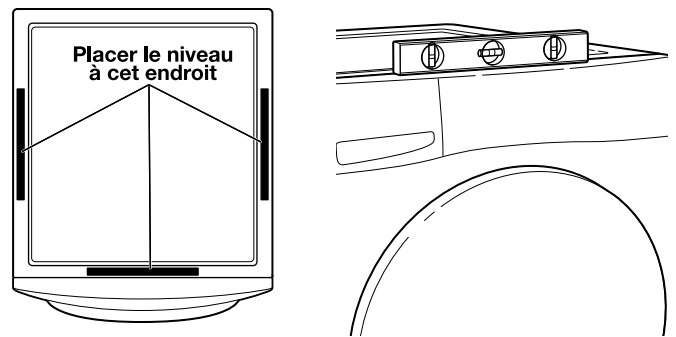
Fixer le tuyau de vidange avec le serre-câbles ou la fixation perlée au pied de l'évier de buanderie, au tuyau rigide de rejet à l'égout ou aux tuyaux d'arrivée d'eau pour le tuyau de rejet à l'égout mural rigide.

Il incombe à l'installateur d'installer et de fixer solidement le tuyau de vidange à la canalisation d'évacuation de manière que le tuyau de vidange ne puisse sortir et causer d'éventuelles fuites de la canalisation d'évacuation.

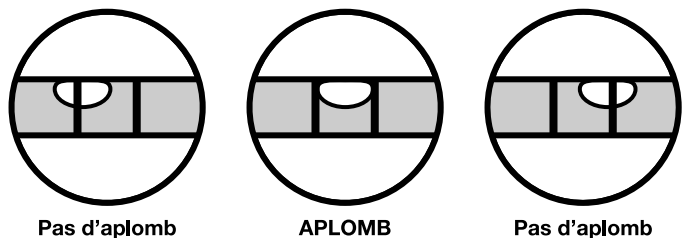
## Mettre de niveau la laveuse-sécheuse tout-en-un

**IMPORTANT :** Niveler votre machine pour réduire de façon adéquate le niveau sonore et les vibrations excessifs.

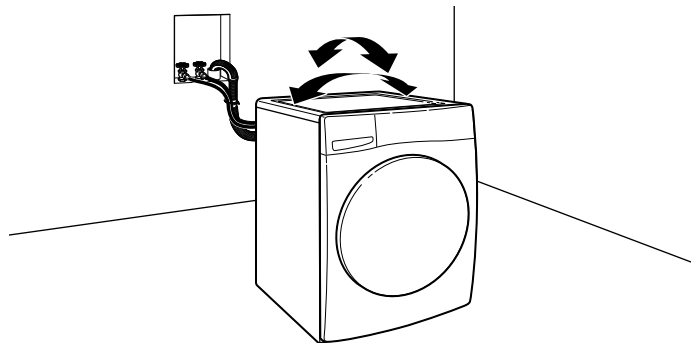
### Vérifier le bon aplomb de la machine



Enlever le morceau de carton placé sous la machine. Placer un niveau sur les bords supérieurs de la machine en contrôlant chaque côté et l'avant. Si elle n'est pas d'aplomb, faire basculer la machine et régler les pieds vers le haut ou vers le bas comme indiqué dans les sections « Ajuster les pieds de nivellement » et « Serrer les pieds de nivellement », et recommencer si nécessaire.

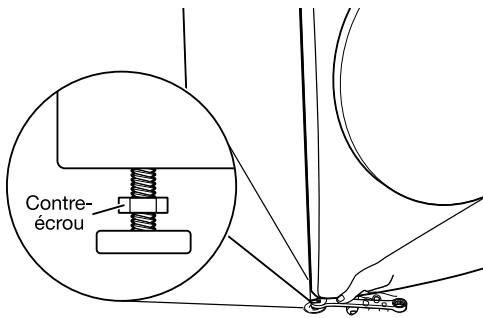


### Faire basculer la machine pour tester la stabilité des pieds sur le plancher



Saisir la machine par le dessus et la faire basculer d'avant en arrière tout en s'assurant que les quatre pieds sont en contact ferme avec le sol. Faire de nouveau basculer la machine, transversalement. Si la machine bascule, ajuster les pieds de nivellement. Si les quatre pieds sont en contact ferme avec le sol, serrer les pieds de nivellement.

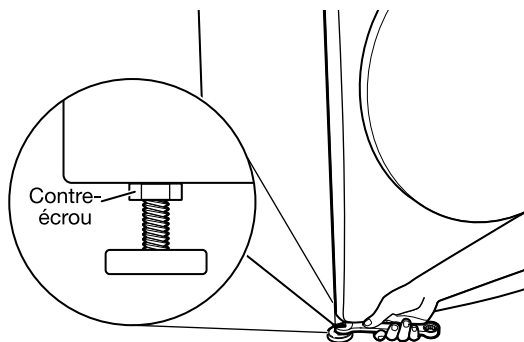
## Ajuster les pieds de nivellement



Si la machine n'est pas d'aplomb, utiliser une clé plate de 9/16 po (14 mm) ou une clé à molette pour tourner les contre-écrous dans le sens horaire sur les pieds jusqu'à ce qu'ils se trouvent à environ 1/2 po (13 mm) de la caisse de la laveuse. Tourner ensuite le pied de nivellement dans le sens horaire pour abaisser la machine ou antihoraire pour la soulever. Ne pas dépasser 2 po (50 mm) du bas du pied au bas de l'armoire. Contrôler à nouveau l'aplomb de la machine et vérifier que les quatre pieds sont en contact ferme avec le sol. Répéter au besoin.

**CONSEIL UTILE :** Il serait judicieux de soulever l'avant de la machine d'environ 4 po (102 mm) à l'aide d'une cale en bois ou d'un objet similaire qui soutiendra le poids de la machine.

## Serrer les pieds de nivellement



Après que l'aplomb de la machine a été établi et que les quatre pieds sont en contact ferme avec le sol, tourner les contre-écrous dans le sens antihoraire sur les pieds de nivellement à l'aide d'une clé à fourche ou d'une clé à molette de 9/16 po (14 mm) jusqu'à ce qu'ils soient bien serrés contre la caisse de la machine.

**CONSEIL UTILE :** On devra peut-être de nouveau soulever légèrement la machine à l'aide d'une cale de bois.

## ⚠ AVERTISSEMENT



### Risque de décharge électrique

**Brancher l'appareil sur une prise à 3 alvéoles reliée à la terre.**

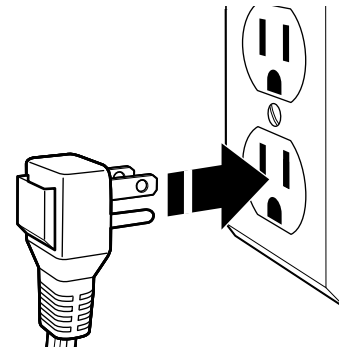
**Ne pas enlever la prise de liaison à la terre.**

**Ne pas utiliser d'adaptateur.**

**Ne pas utiliser de rallonge.**

**Le non-respect de ces instructions peut causer un décès, un incendie ou une décharge électrique.**

### Brancher l'appareil dans une prise à 3 alvéoles reliée à la terre



## Liste de vérification pour installation terminée

- Consulter les spécifications électriques. S'assurer de disposer d'une source d'électricité appropriée, et d'une liaison à la terre conforme à la méthode recommandée.
- Vérifier que toutes les pièces sont maintenant installées. S'il reste une pièce, passer en revue les différentes étapes pour découvrir laquelle aurait été oubliée.
- Vérifier la présence de tous les outils. Vérifier que tout le matériel de transport a été retiré du derrière de la machine.
- Vérifier que les tuyaux d'arrivée d'eau chaude et d'eau froide sont bien fixés et que les robinets d'eau sont ouverts.
- Vérifier qu'il n'y a pas de fuite autour des robinets, valves et tuyaux d'arrivée d'eau.
- Ôter la pellicule protectrice de la console et tout ruban adhésif resté sur la machine.
- Vérifier que la machine est branchée sur une prise de courant à 3 alvéoles reliée à la terre.
- Éliminer/recycler tous les matériaux d'emballage.
- Pour tester et nettoyer votre machine, appuyer sur POWER (mise sous tension), choisir le programme Quick (rapide) et la faire fonctionner sans vêtements. Utiliser uniquement un détergent HE. Utiliser la moitié de la quantité recommandée par le fabricant pour une charge de taille moyenne.

## NOTES

## NOTES

