

INSTALLATION INSTRUCTIONS FREESTANDING ELECTRIC RANGE WITH DOUBLE OVENS

INSTRUCTIONS D'INSTALLATION POUR CUISINIÈRE ÉLECTRIQUE AUTOPORTANTE AVEC FOURS DOUBLES

Table of Contents/Table des matières

RANGE SAFETY	1	SÉCURITÉ DE LA CUISINIÈRE	15
INSTALLATION REQUIREMENTS	2	EXIGENCES D'INSTALLATION	16
Tools and Parts.....	2	Outils et pièces.....	16
Location Requirements.....	2	Exigences d'emplacement.....	16
Electrical Requirements - U.S.A. Only.....	4	Spécifications électriques.....	18
Electrical Requirements - Canada Only.....	5	INSTRUCTIONS D'INSTALLATION	18
INSTALLATION INSTRUCTIONS	5	Déballage de la cuisinière	18
Unpack Range.....	5	Réglage des pieds de nivellement.....	18
Adjust Leveling Legs	5	Installation de la bride antibasculement	19
Install Anti-Tip Bracket.....	6	Vérifier que la bride antibasculement est bien installée et engagée	19
Electrical Connection - U.S.A. Only.....	7	Réglage de l'aplomb de la cuisinière.....	20
Verify Anti-Tip Bracket Is Installed and Engaged	12	Enlever la/les porte(s) du four	21
Level Range.....	12	Achever l'installation	22
Complete Installation	13	Déplacement de la cuisinière.....	22
Remove Oven Door(s).....	13		
Moving the Range.....	13		

RANGE SAFETY

Your safety and the safety of others are very important.

We have provided many important safety messages in this manual and on your appliance. Always read and obey all safety messages.



This is the safety alert symbol.

This symbol alerts you to potential hazards that can kill or hurt you and others.

All safety messages will follow the safety alert symbol and either the word "DANGER" or "WARNING."

These words mean:

⚠ DANGER

You can be killed or seriously injured if you don't immediately follow instructions.

⚠ WARNING

You can be killed or seriously injured if you don't follow instructions.

All safety messages will tell you what the potential hazard is, tell you how to reduce the chance of injury, and tell you what can happen if the instructions are not followed.

IMPORTANT:

Save for local electrical inspector's use.

IMPORTANT :

À conserver pour consultation par l'inspecteur local des installations électriques.

⚠ WARNING

Tip Over Hazard

A child or adult can tip the range and be killed.

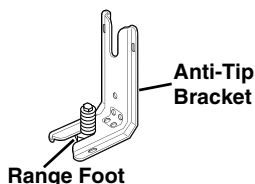
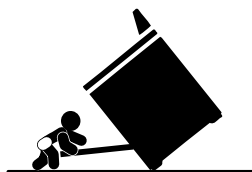
Install anti-tip bracket to floor or wall per installation instructions.

Slide range back so rear range foot is engaged in the slot of the anti-tip bracket.

Re-engage anti-tip bracket if range is moved.

Do not operate range without anti-tip bracket installed and engaged.

Failure to follow these instructions can result in death or serious burns to children and adults.



To verify the anti-tip bracket is installed and engaged:

- Slide range forward.
- Look for the anti-tip bracket securely attached to floor or wall.
- Slide range back so rear range foot is under anti-tip bracket.
- See installation instructions for details.

INSTALLATION REQUIREMENTS

Tools and Parts

Gather the required tools and parts before starting installation. Read and follow the instructions provided with any tools listed here.

Tools Needed

- Tape measure
- Level
- Phillips screwdriver
- Flat-blade screwdriver
- Wrench or pliers
- 3/8" (9.5 mm) nut driver
- Hand or electric drill
- 1/8" (3.2 mm) drill bit

Parts supplied

Check that all parts are included.

- 3 - 10-32 hex nuts (attached to terminal block)
- 3 - Terminal lugs
- Oven racks
- 2 - #12 x 1⁵/₈" screws (for mounting anti-tip bracket)
- Anti-tip bracket (taped inside upper oven with package containing literature)

Anti-tip bracket must be securely mounted to back wall or floor. Thickness of floor may require longer screws to anchor bracket to subfloor. Longer screws are available from your local hardware store.

Parts needed

If using a power supply cord:

- A UL Listed power supply cord kit marked for use with ranges. The cord should be rated at 250 V minimum, 40 A or 50 A that is marked for use with nominal 1³/₈" (3.5 cm) diameter connection opening and must end in ring terminals or open-end spade terminals with upturned ends.
- A UL Listed strain relief.

Check local codes. Check existing electrical supply. See the "Electrical Requirements" section.

It is recommended that all electrical connections be made by a licensed, qualified electrical installer.

Location Requirements

IMPORTANT: Observe all governing codes and ordinances.

- It is the installer's responsibility to comply with installation clearances specified on the model/serial/rating plate. The model/serial/rating plate is located behind the control panel.
- To eliminate the risk of burns or fire by reaching over-heated surface units, cabinet storage space located above the surface units should be avoided. If cabinet storage is to be provided, the risk can be reduced by installing a range hood that projects horizontally a minimum of 5" (12.7 cm) beyond the bottom of the cabinets.
- Cabinet opening dimensions that are shown must be used. Given dimensions are minimum clearances.
- The floor anti-tip bracket must be installed. To install the anti-tip bracket shipped with the range, see the "Install Anti-Tip Bracket" section.
- Grounded electrical supply is required. See the "Electrical Requirements" section.

IMPORTANT: To avoid damage to your cabinets, check with your builder or cabinet supplier to make sure that the materials used will not discolor, delaminate or sustain other damage. This range has been designed in accordance with the requirements of UL and CSA International and complies with the maximum allowable wood cabinet temperatures of 194°F (90°C).

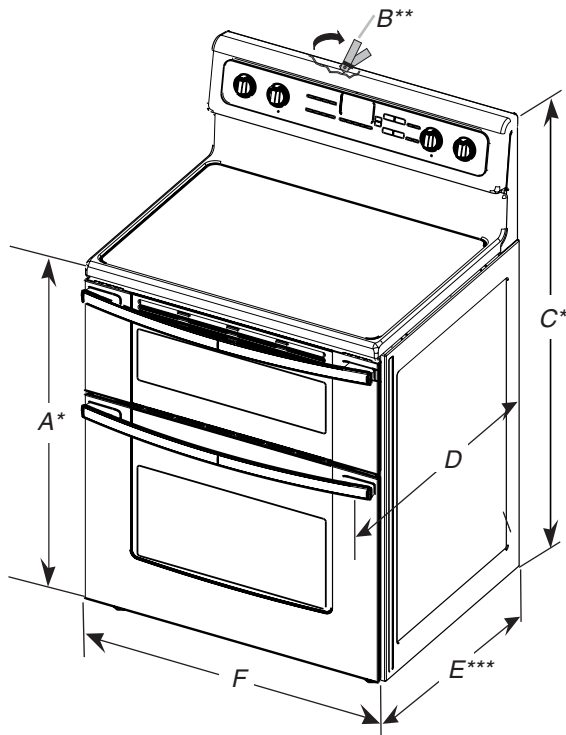
Mobile Home - Additional Installation Requirements

The installation of this range must conform to the Manufactured Home Construction and Safety Standard, Title 24 CFR, Part 3280 (formerly the Federal Standard for Mobile Home Construction and Safety, Title 24, HUD Part 280). When such standard is not applicable, the Standard for Manufactured Home Installations, ANSI A225.1/NFPA 501A or with local codes.

Mobile home installations require:

- When this range is installed in a mobile home, it must be secured to the floor during transit. Any method of securing the range is adequate as long as it conforms to the standards listed above.
- Four-wire power supply cord or cable must be used in a mobile home installation. The appliance wiring will need to be revised. See the "Electrical Connection" section.

Product Dimensions



A. $35\frac{3}{4}'' \pm \frac{1}{8}''$ (90.8 cm \pm 0.3 cm) cooktop height (minimum) with leveling legs screwed all the way in*

B. Model/serial/rating plates (located behind the control panel)**

C. $47\frac{1}{8}'' \pm \frac{1}{8}''$ (119.7 cm \pm 0.3 cm) overall height (minimum) with leveling legs screwed all the way in*

D. $28\frac{1}{2}'' \pm \frac{1}{4}''$ (72.4 cm \pm 0.6 cm) depth with handle

E. $26\frac{1}{8}'' \pm \frac{1}{8}''$ (66.4 cm \pm 0.3 cm)***

F. $29\frac{15}{16}'' \pm \frac{1}{16}''$ (76.0 cm \pm 0.2 cm) width

* Range can be raised approximately 1" (2.5 cm) by adjusting the leveling legs.

** Model/serial/rating plates may be rotated up from behind the control panel for viewing from the front of the range.

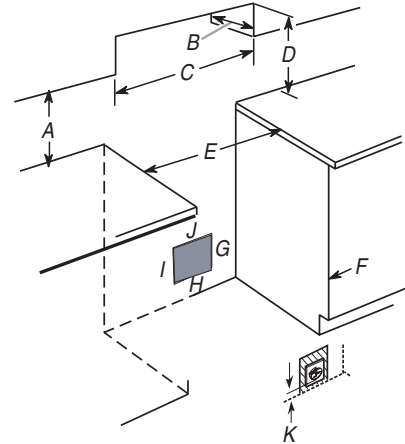
*** Excludes handle. Dimension given is from wall to front of oven door and will vary based on electric outlet receptacle installation.

Cabinet Dimensions

Cabinet opening dimensions shown are for 25" (63.5 cm) countertop depth, 24" (61.0 cm) base cabinet depth, and 36" (91.4 cm) countertop height.

IMPORTANT: If installing a range hood or microwave hood combination above the cooking surface, follow the range hood or microwave hood combination installation instructions for dimensional clearances above the cooktop surface.

A freestanding range may be installed next to combustible walls with zero clearance.



A. 18" (45.7 cm) upper cabinet to countertop

B. 13" (33.0 cm) upper cabinet depth

C. 30" (76.2 cm) min. opening width

D. For minimum clearance to the top of the cooktop, see NOTE.

E. U.S.A.: 30" (76.2 cm) min. opening width
Canada: 31" (78.7 cm) min. opening width

F. Cabinet door or hinge should not extend into cutout*

G. $1\frac{1}{2}''$ (3.8 cm) min. from right side cabinet

H. 2" (5.1 cm) min. from floor

I. 7" (17.8 cm) height

J. 8" (20.3 cm) width

K. $3\frac{1}{2}''$ (8.9 cm) min. from floor

Proper positioning of outlet shown above.

* Nothing located in shaded areas can extend more than $1\frac{1}{2}''$ (3.8 cm) from wall or range will not slide all the way back.

NOTE: 24" (61.0 cm) minimum when bottom of wood or metal cabinet is covered by not less than $\frac{1}{4}''$ (0.64 cm) flame-retardant millboard covered with not less than No. 28 MSG sheet steel, 0.015" (0.4 mm) stainless steel, 0.024" (0.6 mm) aluminum, or 0.020" (0.5 mm) copper.

30" (76.2 cm) minimum clearance between the top of the cooking platform and the bottom of an uncovered wood or metal cabinet.

Electrical Requirements - U.S.A. Only

If codes permit and a separate ground wire is used, it is recommended that a qualified electrical installer determine that the ground path and wire gauge are in accordance with local codes.

Do not use an extension cord.

Be sure that the electrical connection and wire size are adequate and in conformance with the National Electrical Code, ANSI/NFPA 70-latest edition and all local codes and ordinances.

A copy of the above code standards can be obtained from:

National Fire Protection Association
1 Batterymarch Park
Quincy, MA 02169-7471

WARNING: Improper connection of the equipment-grounding conductor can result in a risk of electric shock. Check with a qualified electrician or service technician if you are in doubt as to whether the appliance is properly grounded. Do not modify the power supply cord plug. If it will not fit the outlet, have a proper outlet installed by a qualified electrician.

Electrical Connection

To properly install your range, you must determine the type of electrical connection you will be using and follow the instructions provided for it here.

- Range must be connected to the proper electrical voltage and frequency as specified on the model/serial/ rating plate. The model/serial/ rating plate is located behind the control panel. Refer to the figures in "Product Dimensions" in the "Location Requirements" section.
- This range is manufactured with the neutral terminal connected to the cabinet. Use a 3-wire, UL Listed, 40 or 50 A power supply cord (pigtail) (see the following Range Rating chart). If local codes do not permit ground through the neutral, use a 4-wire power supply cord rated at 250 V, 40 or 50 A and investigated for use with ranges.

Range Rating*		Specified Rating of Power Supply Cord Kit and Circuit Protection
120/240 Volts	120/208 Volts	Amps
8.8 - 16.5 KW	7.8 - 12.5 KW	40 or 50**
16.6 - 22.5 KW	12.6 - 18.5 KW	50

* The NEC calculated load is less than the total connected load listed on the model/serial/ rating plate.

** If connecting to a 50 A circuit, use a 50 A rated cord with kit. For 50 A rated cord kits, use kits that specify use with a nominal 1³/₈" (34.9 mm) diameter connection opening.

- A circuit breaker is recommended.
- The range can be connected directly to the circuit breaker box (or fused disconnect) through flexible or nonmetallic sheathed, copper, or aluminum cable. See the "Electrical Connection - U.S.A. Only" section.
- Allow at least 6 ft (182.9 cm) of slack in the line so that the range can be moved if servicing is ever necessary.
- A UL Listed conduit connector must be provided at each end of the power supply cable (at the range and at the junction box).
- Wire sizes and connections must conform with the rating of the range.
- The wiring diagram is located on the Tech Sheet.
- The Tech Sheet is located on the back of the range inside a clear plastic bag.

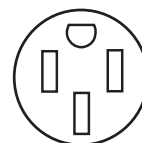
If connecting to a 4-wire system:

This range is manufactured with the ground connected to the neutral by a link. The ground must be revised so the green ground wire of the 4-wire power supply cord is connected to the cabinet. See the "Electrical Connection - U.S.A. Only" section.

Grounding through the neutral conductor is prohibited for new branch-circuit installations (1996 NEC); mobile homes; and recreational vehicles, or an area where local codes prohibit grounding through the neutral conductor.

When a 4-wire receptacle of NEMA Type 14-50R is used, a matching UL Listed, 4-wire, 250 V, 40 or 50 A, range power supply cord (pigtail) must be used. This cord contains 4 copper conductors with ring terminals or open-end spade terminals with upturned ends, terminating in a NEMA Type 14-50P plug on the supply end.

The fourth (grounding) conductor must be identified by a green or green/yellow cover and the neutral conductor by a white cover. Cord should be Type SRD or SRDT with a UL Listed strain relief and be at least 4 ft (1.22 m) long.



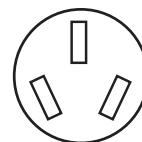
4-wire receptacle (14-50R)

The minimum conductor sized for the copper 4-wire power cord are:

- 40 A circuit
- 2 No.-8 conductors
- 1 No.-10 white neutral
- 1 No.-8 green grounding

If connecting to a 3-wire system:

Local codes may permit the use of a UL Listed, 3-wire, 250 V, 40 or 50 A range power supply cord (pigtail). This cord contains 3 copper conductors with ring terminals or open-end spade terminals with upturned ends, terminating in a NEMA Type 10-50P plug on the supply end. Connectors on the appliance end must be provided at the point the power supply cord enters the appliance. This uses a 3-wire receptacle of NEMA Type 10-50R.



3-wire receptacle (10-50R)

Electrical Requirements - Canada Only

⚠ WARNING



Electrical Shock Hazard

Electrically ground range.

Failure to do so can result in death, fire, or electrical shock.

If codes permit and a separate ground wire is used, it is recommended that a qualified electrical installer determine that the ground path is adequate and wire gauge are in accordance with local codes.

Be sure that the electrical connection and wire size are adequate and in conformance with CSA Standard C22.1, Canadian Electrical Code, Part 1 - latest edition, and all local codes and ordinances.

A copy of the above code standards can be obtained from:

Canadian Standards Association
178 Rexdale Blvd.
Toronto, ON M9W 1R3 CANADA

- Check with a qualified electrical installer if you are not sure the range is properly grounded.

Range Rating*

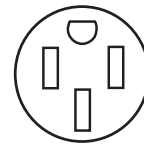
Specified Rating of Power Supply Cord Kit and Circuit Protection

120/240 Volts	120/208 Volts	Amps
8.8 - 16.5 KW	7.8 - 12.5 KW	40 or 50**
16.6 - 22.5 KW	12.6 - 18.5 KW	50

*The NEC calculated load is less than the total connected load listed on the model/serial/rating plate.

** If connecting to a 50 A circuit, use a 50-amp rated cord with kit. For 50 A rated cord kits, use kits that specify use with a nominal 1³/₈" (34.9 mm) diameter connection opening.

- A time-delay fuse or circuit breaker is recommended.
- This range is equipped with a CSA International Certified Power Cord intended to be plugged into a standard 14-50R wall receptacle. Be sure the wall receptacle is within reach of range's final location.



- Do not use an extension cord.

INSTALLATION INSTRUCTIONS

Unpack Range

⚠ WARNING

Excessive Weight Hazard

Use two or more people to move and install range.

Failure to do so can result in back or other injury.

1. Remove shipping materials, tape, and film from the range. Keep cardboard bottom under range.
2. Remove oven racks and parts package from inside oven.
3. To place range on its back, take 4 cardboard corners from the carton. Stack one cardboard corner on top of another. Repeat with the other 2 corners. Place them lengthwise on the floor behind the range to support the range when it is laid on its back.
4. Using 2 or more people, firmly grasp the range and gently lay it on its back on the cardboard corners.
5. Pull cardboard bottom firmly to remove.
6. Use an adjustable wrench to loosen the leveling legs.
7. Place cardboard or hardboard in front of range. Using 2 or more people, stand range back up onto cardboard or hardboard.

Adjust Leveling Legs

1. If range height adjustment is necessary, use a wrench or pliers to loosen the 4 leveling legs.
This may be done with the range on its back or with the range supported on 2 legs after the range has been placed back to a standing position.
NOTE: To place range back up into a standing position, put a sheet of cardboard or hardboard in front of range. Using 2 or more people, stand range back up onto the cardboard or hardboard.
2. Adjust the leveling legs to the correct height. Leveling legs can be loosened to add up to a maximum of 1" (2.5 cm). A minimum of 3/16" (5.0 mm) is needed to engage the anti-tip bracket.
NOTE: If height adjustment is made when range is standing, tilt the range back to adjust the front legs, then tilt forward to adjust the rear legs.
3. When the range is at the correct height, check that there is adequate clearance under the range for the anti-tip bracket. Before sliding range into its final location, check that the anti-tip bracket will slide under the range and onto the rear leveling leg prior to anti-tip bracket installation.

Install Anti-Tip Bracket

WARNING



Tip Over Hazard

A child or adult can tip the range and be killed.

Install anti-tip bracket to floor or wall per installation instructions.

Slide range back so rear range foot is engaged in the slot of the anti-tip bracket.

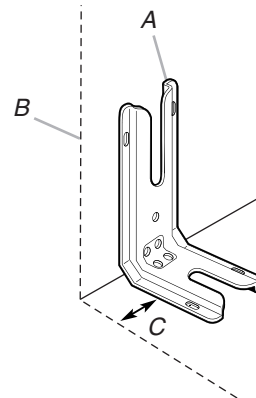
Re-engage anti-tip bracket if range is moved.

Do not operate range without anti-tip bracket installed and engaged.

Failure to follow these instructions can result in death or serious burns to children and adults.

1. Remove the anti-tip bracket that is taped inside the upper oven with the package containing literature.
2. Determine which mounting method to use: floor or wall. If you have a stone or masonry floor, you can use the wall mounting method.

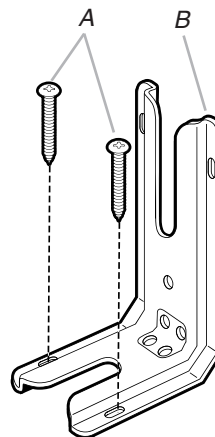
3. Determine and mark edge of range in the cutout space. The mounting bracket can be installed on either the left side or right side of the cutout. Position mounting bracket in cutout so that right (or left) edge of the bracket is 15/16" (2.4 cm) from the marked edge of the range, as shown.



- A. Anti-tip bracket
- B. Mark edge of range.
- C. 15/16" (2.4 cm)

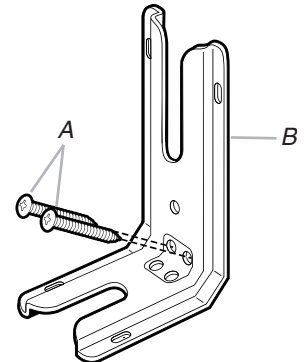
4. Drill two 1/8" (3.0 mm) holes that correspond to the bracket holes of the determined mounting method. See the following illustrations.

Floor Mounting



- A. #12 x 1⁵/₈" screws
- B. Anti-tip bracket

Wall Mounting



- A. #12 x 1⁵/₈" screws
- B. Anti-tip bracket

5. Using a Phillips screwdriver, mount anti-tip bracket to the wall or floor with the two #12 x 1⁵/₈" screws provided.

Electrical Connection - U.S.A. Only

Power Supply Cord

⚠ WARNING



Electrical Shock Hazard

Disconnect power before servicing.

Use a new 40 amp power supply cord.

Plug into a grounded outlet.

Failure to follow these instructions can result in death, fire, or electrical shock.

Direct Wire

⚠ WARNING



Electrical Shock Hazard

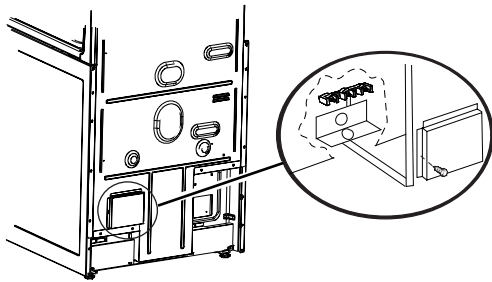
Disconnect power before servicing.

Use 8 gauge copper or 6 gauge aluminum wire.

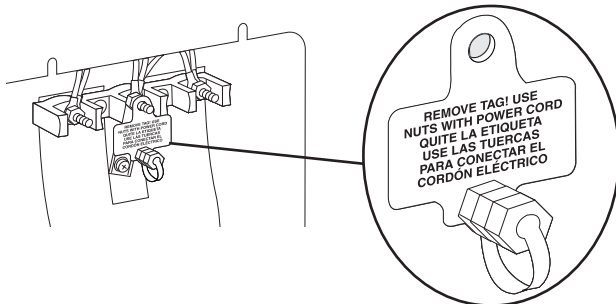
Electrically ground range.

Failure to follow these instructions can result in death, fire, or electrical shock.

1. Disconnect power.
2. Use Phillips screwdriver to remove the terminal block cover screw located on the back of the range. Pull cover down and toward you to remove cover.



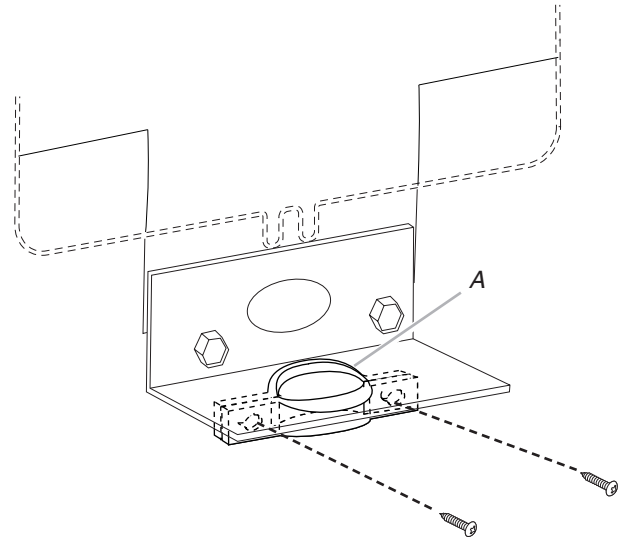
3. Remove plastic tag holding three 10-32 hex nuts from the middle post of the terminal block.



4. Add strain relief.

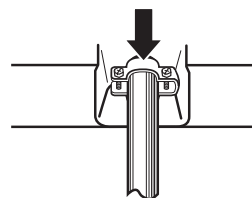
Style 1: Power supply cord strain relief

- Assemble a UL Listed strain relief in the opening.



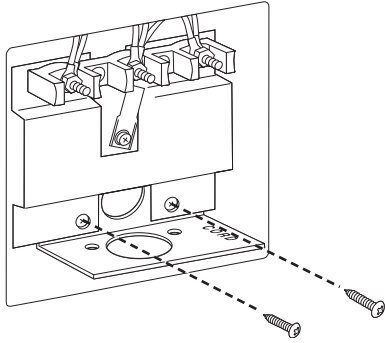
A. UL Listed strain relief

- Feed the power supply cord through the strain relief in the cord/conduit plate on bottom of range. Allow enough slack to easily attach the wiring to the terminal block.
- Tighten strain relief screw against the power supply cord.

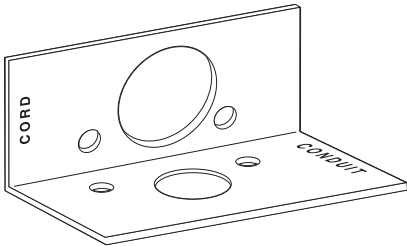


Style 2: Direct wire strain relief

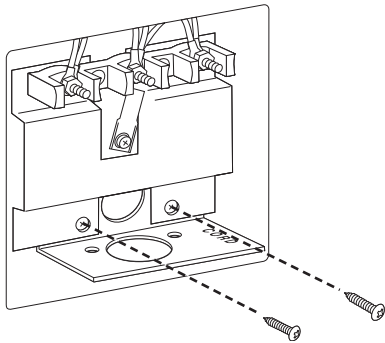
- Use Phillips screwdriver to remove screws and slide cord/conduit plate down and out.



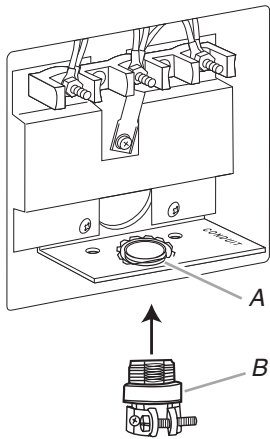
- Position cord/conduit plate as shown in the following illustration.



- Replace cord/conduit plate and insert screws.

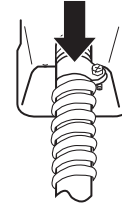


- Assemble a UL Listed conduit connector in the opening.



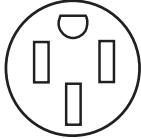
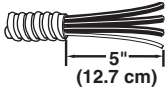
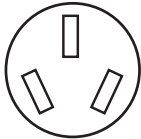
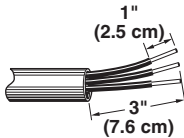
A. Removable retaining nut
B. Strain relief

- Feed the flexible conduit through the strain relief, allowing enough slack to easily attach wiring to the terminal block.
- Tighten strain relief screw against the flexible conduit.



5. Replace back panel and screws on rear of range.
6. Complete installation following instructions for your type of electrical connection:
 - 4-wire** (recommended)
 - 3-wire** (if 4-wire is not available)

Electrical Connection Options

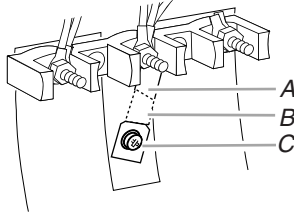
If your home has:	And you will be connecting to:	Go to Section:
4-wire receptacle (NEMA type 14-50R)	A UL Listed, 250 V minimum, 40 A, range power supply cord	4-Wire Connection: Power Supply Cord
		
4-wire direct	A fused disconnect or circuit breaker box	4-Wire Connection: Direct Wire
		
3-wire receptacle (NEMA type 10-50R)	A UL Listed, 250 V minimum, 40 A, range power supply cord	3-Wire Connection: Power Supply Cord
		
3-wire direct	A fused disconnect or circuit breaker box	3-Wire Connection: Direct Wire
		

4-Wire Connection: Power Supply Cord

Use this method for:

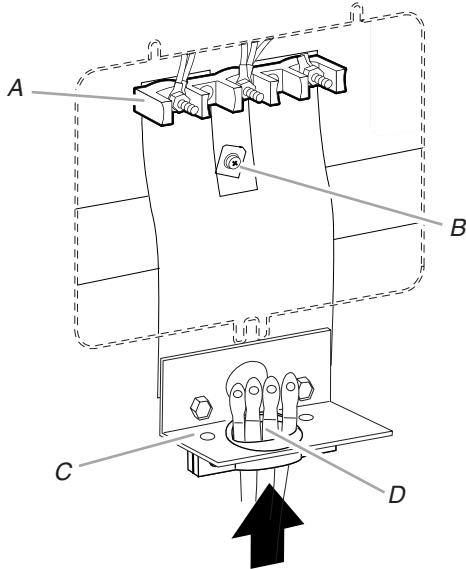
- New branch-circuit installations (1996 NEC)
- Mobile homes
- Recreational vehicles
- In an area where local codes prohibit grounding through the neutral

1. Part of metal ground strap must be cut out and removed.



A. Metal ground strap
B. Discard
C. Ground-link screw

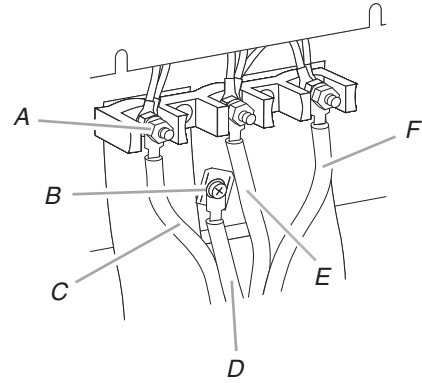
2. Use Phillips screwdriver to remove the ground-link screw from the back of the range. Save the ground-link screw and the end of the ground link under the screw.
3. Feed the power supply cord through the strain relief in the cord/conduit plate on bottom of range. Allow enough slack to easily attach the wiring to the terminal block.



A. Terminal block
B. Ground-link screw
C. Cord/conduit plate
D. Power supply cord wires

4. Use Phillips screwdriver to connect the green ground wire from the power supply cord to the range with the ground-link screw. The ground wire must be attached first.

5. Use 3/8" (9.5 mm) nut driver to connect the neutral (white) wire to the center terminal block post with one of the 10-32 hex nuts.



A. 10-32 hex nut
B. Ground-link screw
C. Line 1 (black)
D. Green ground wire
E. Neutral (center) wire
F. Line 2 (red)

6. Connect line 1 (black) and line 2 (red) wires to the outer terminal block posts with 10-32 hex nuts.
7. Securely tighten hex nuts.

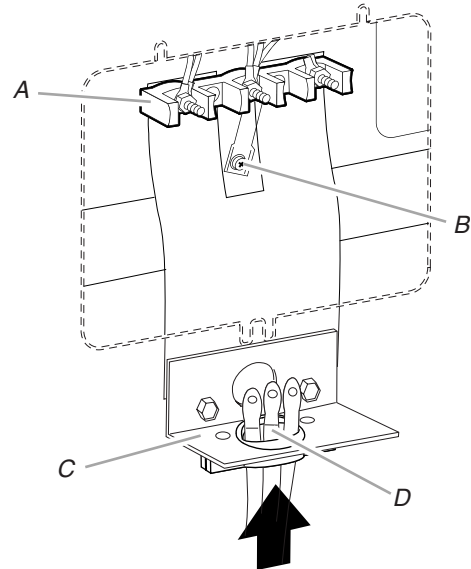
NOTE: For power supply cord replacement, only use a power cord rated at 250 V minimum, 40 A or 50 A that is marked for use with nominal 1³/₈" (3.5 cm) diameter connection opening, with ring terminals and marked for use with ranges.

8. Replace terminal block access cover.

3-Wire Connection: Power Supply Cord

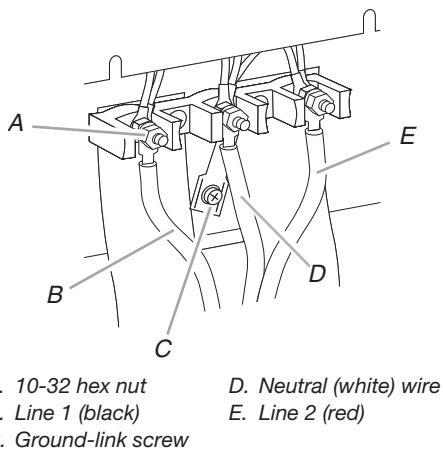
Use this method only if local codes permit connecting chassis ground conductor to neutral wire of power supply cord.

1. Feed the power supply cord through the strain relief in the cord/conduit plate on bottom of range. Allow enough slack to easily attach the wiring to the terminal block.



A. Terminal block
B. Ground-link screw
C. Cord/conduit plate
D. Power supply cord wires

- Use 3/8" (9.5 mm) nut driver to connect the neutral (white) wire to the center terminal block post with one of the 10-32 hex nuts.



- Connect line 1 (black) and line 2 (red) wires to the outer terminal block posts with 10-32 hex nuts.
- Securely tighten hex nuts.

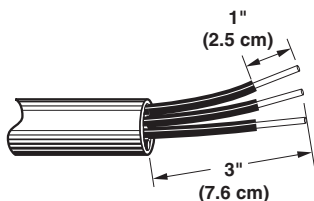
NOTE: For power supply cord replacement, only use a power cord rated at 250 V minimum, 40 A or 50 A that is marked for use with nominal 1 3/8" (3.5 cm) diameter connection opening, with ring terminals and marked for use with ranges.

- Replace terminal block access cover.

Direct Wire Installation: Copper or Aluminum Wire

This range may be connected directly to the fuse disconnect or circuit breaker box. Depending on your electrical supply, make the required 3-wire or 4-wire connection.

- Strip outer covering back 3" (7.6 cm) to expose wires. Strip the insulation back 1" (2.5 cm) from the end of each wire.

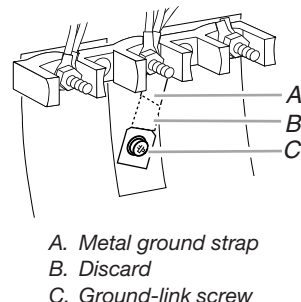


- Allow enough slack in the wire to easily attach the wiring terminal block.
- Complete electrical connection according to your type of electrical supply (4-wire or 3-wire connection).

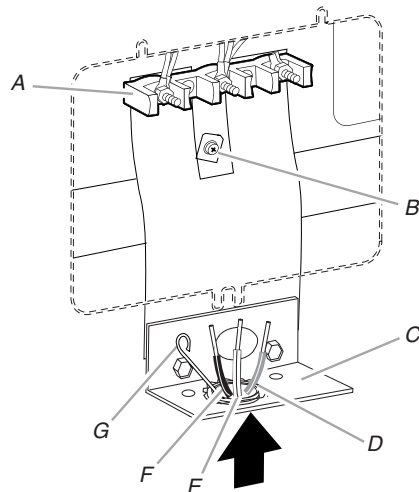
4-Wire Connection: Direct Wire

Use this method for:

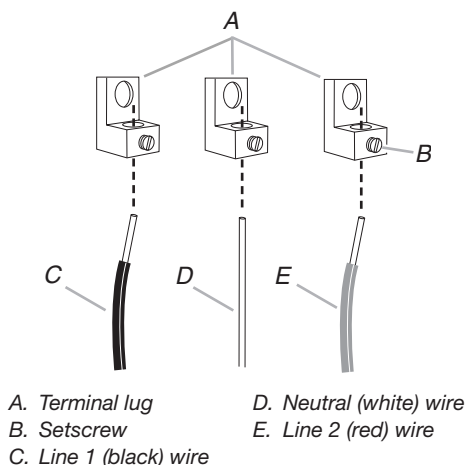
- New branch-circuit installations (1996 NEC)
 - Mobile homes
 - Recreational vehicles
 - In an area where local codes prohibit grounding through the neutral
- Part of metal ground strap must be cut out and removed.



- Use Phillips screwdriver to remove the ground-link screw from the back of the range. Save the ground-link screw and the end of the ground link under the screw.
- Pull the conduit through the strain relief on cord/conduit plate on bottom of range. Allow enough slack to easily attach wiring to the terminal block.



- Attach terminal lugs to line 1 (black), neutral (white), and line 2 (red) wires. Loosen (do not remove) the setscrew on the front of the terminal lug and insert exposed wire end through bottom of terminal lugs. Securely tighten setscrew to XX lbs-in. torque. See "Bare Wire Torque Specifications" chart.

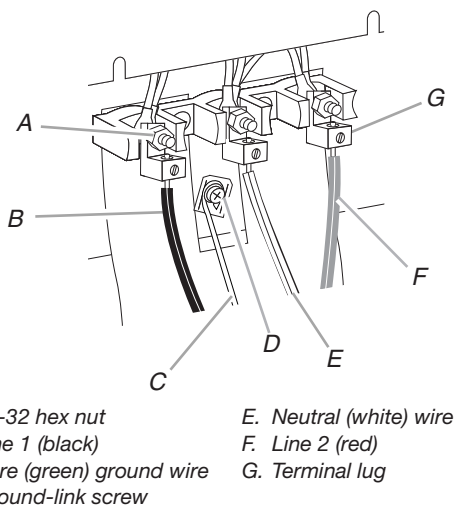


Bare Wire Torque Specifications

Attaching terminal lugs to the terminal block - 20 lbs-in. (2.3 N-m)

Wire AWG	Torque
8 gauge copper	25 lbs-in. (2.8 N-m)
6 gauge aluminum	35 lbs-in. (4.0 N-m)

- Use Phillips screwdriver to connect the bare (green) ground wire to the range with the ground-link screw. The ground wire must be attached first and must not contact any other terminal.
- Use $\frac{3}{8}$ " nut driver to connect the neutral (white) wire to the center terminal block post with one of the 10-32 hex nuts.

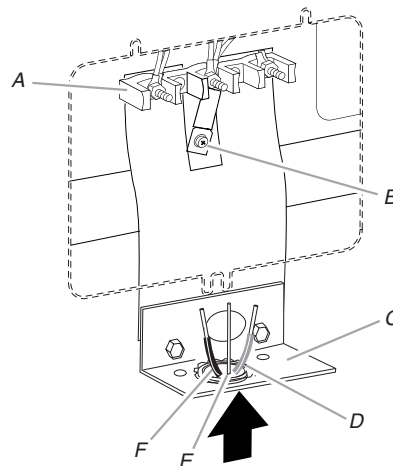


- Connect line 1 (black) and line 2 (red) wires to the outer terminal block posts with 10-32 hex nuts.
- Securely tighten hex nuts.
- Replace terminal block access cover.

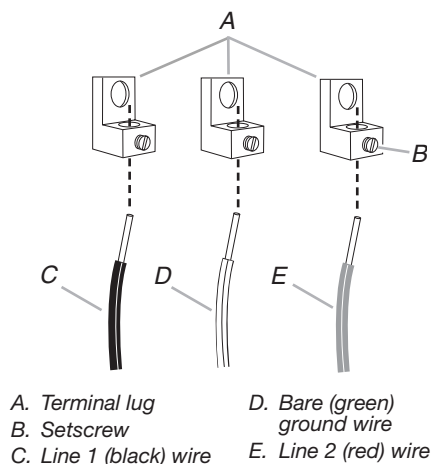
3-Wire connection: Direct Wire

Use this method only if local codes permit connecting ground conductor to neutral supply wire.

- Pull the conduit through the hole and conduit plate on bottom of range. Allow enough slack to easily attach the wiring to the terminal block.



- Attach terminal lugs to line 1 (black), bare (green) ground, and line 2 (red) wires. Loosen (do not remove) the setscrew on the front of the terminal lug and insert exposed wire end through bottom of terminal lugs. Securely tighten setscrew to XX lbs-in. torque. See "Bare Wire Torque Specifications" chart.

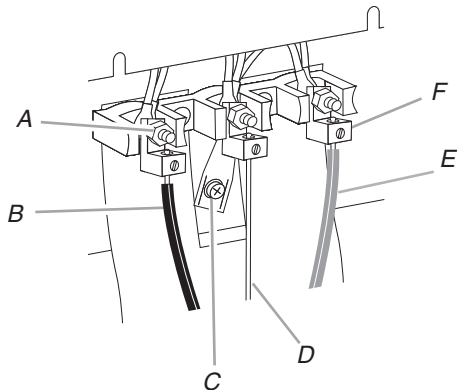


Bare Wire Torque Specifications

Attaching terminal lugs to the terminal block - 20 lbs-in. (2.3 N-m)

Wire Awg	Torque
8 gauge copper	25 lbs-in. (2.8 N-m)
6 gauge aluminum	35 lbs-in. (4.0 N-m)

- Use 3/8" (9.5 mm) nut driver to connect the bare (green) ground wire to the center terminal block post with one of the 10-32 hex nuts.



- A. 10-32 hex nut
 B. Line 1 (black)
 C. Ground-link screw
 D. Bare (green) ground wire
 E. Line 2 (red)
 F. Terminal lug

- Connect line 1 (black) and line 2 (red) wires to the outer terminal block posts with 10-32 hex nuts.
- Securely tighten hex nuts.
- Replace terminal block access cover.

Verify Anti-Tip Bracket Is Installed and Engaged

- Place the outside of your foot against the bottom front of the oven door to keep the range from moving, and grasp the lower right or left side of the control panel as shown.

NOTE: If your countertop is mounted with a backsplash, it may be necessary to grasp the range higher than is shown in the illustration.



- Slowly attempt to tilt the range forward. If you encounter immediate resistance, the range foot is engaged in the anti-tip bracket.

- If the rear of the range lifts more than 1/2" (1.3 cm) off the floor without resistance, stop tilting the range and lower it gently back to the floor. The range foot is not engaged in the anti-tip bracket.

IMPORTANT: If there is a snapping or popping sound when lifting the range, the range may not be fully engaged in the bracket. Check to see if there are obstructions keeping the range from sliding to the wall or keeping the range foot from sliding into the bracket. Verify that the bracket is held securely in place by the mounting screws.

- Slide the range forward, and verify that the anti-tip bracket is securely attached to the floor or wall.
- Slide range back so the rear range foot is inserted into the slot of the anti-tip bracket.

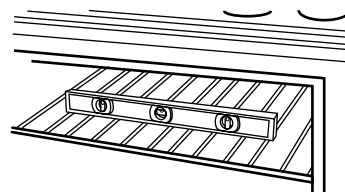
IMPORTANT: If the back of the range is more than 2" (5.1 cm) from the mounting wall, the rear range foot may not engage the bracket. Slide the range forward and determine if there is an obstruction between the range and the mounting wall. If you need assistance or service, refer to the "Assistance or Service" section of the Use and Care Guide, or the cover or the "Warranty" section of the User Instructions, for contact information.

- Repeat steps 1 and 2 to ensure that the range foot is engaged in the anti-tip bracket.

If the rear of the range lifts more than 1/2" (1.3 cm) off the floor without resistance, the anti-tip bracket may not be installed correctly. Do not operate the range without anti-tip bracket installed and engaged. Please reference the "Assistance or Service" section of the Use and Care Guide, or the cover or the "Warranty" section of the User Instructions, to contact service.

Level Range

- Place a rack in oven.
- Place level on rack and check levelness of range, first side to side, then front to back.



- If range is not level, pull range forward until rear leveling leg is removed from the anti-tip bracket.
- Use a wrench or pliers to adjust leveling legs up or down until the range is level. Push range back into position.
- Check that rear leveling leg is engaged in the anti-tip bracket.

NOTE: Range must be level for satisfactory baking performance.

Complete Installation

- Check that all parts are now installed. If there is an extra part, go back through the steps to see which step was skipped.
- Check that you have all of your tools.
- Dispose of/recycle all packaging materials.
- Check that the range is level. See the "Level Range" section.
- Use a mild solution of liquid household cleaner and warm water to remove waxy residue caused by shipping material. Dry thoroughly with a soft cloth. For more information, read the "Range Care" section of the Use and Care Guide.
- Read the range Use and Care Guide.
- Plug power cord into appropriate outlet. Slide range into its final location. Check that the flexible conduit or power supply cord is not bent.
- Turn power on. Turn on surface elements and oven. See the Use and Care Guide for specific instruction on range operation.

If range does not operate, check the following:

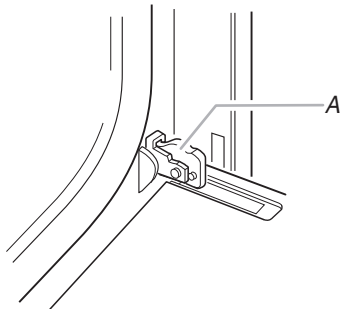
- Household fuse is intact and tight, or circuit breaker has not tripped.
- Range is plugged into a grounded outlet.
- Electrical supply is connected.

- See the “Troubleshooting” section in the Use and Care Guide.

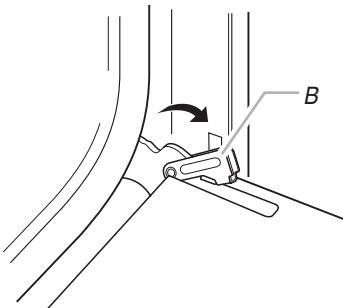
When the range has been on for 5 minutes, check for heat. If range is cold, turn off the range and contact a qualified technician.

Remove Oven Door(s)

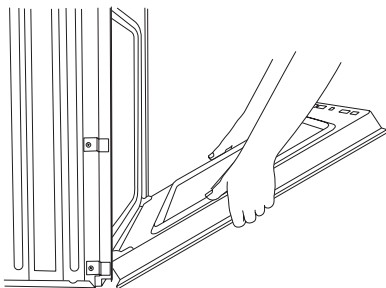
- The range is designed to not need the oven doors removed for standard usage and cleaning, however, they can be removed if necessary.
- Do not lift or move the range by the door handle(s).
- Prepare a surface where you will place the door(s). This surface should be flat and covered with a soft blanket, or use the corner posts from the packaging material.



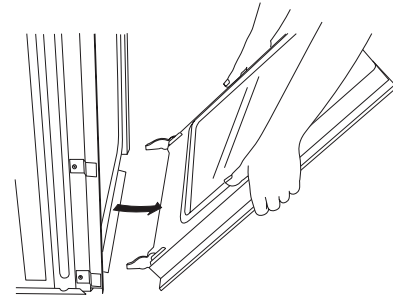
A. Oven door hinge in the locked position



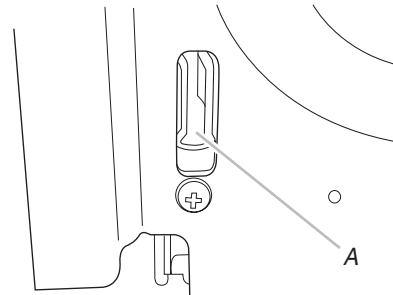
B. Oven door hinge in the unlocked position



Partially close the door to engage the door latch locks. The door will stop at this point.



Use two hands to remove and replace the oven door(s). It may be necessary to gently shift door from side to side.



A. Slot in the oven frame for the door hinge lock

- To replace the oven door(s), locate the slots in the oven cavity for the hinge locks and repeat the steps above in reverse order. Make sure the door closes properly and there is no interference from the door latch. If necessary, remove the door and repeat the steps above. If power is connected to the range, open and close the door to make sure the oven light comes on and goes off appropriately.
- Follow the installation instructions found in the bag containing the literature.

Moving the Range

⚠ WARNING



Tip Over Hazard

A child or adult can tip the range and be killed.

Install anti-tip bracket to floor or wall per installation instructions.

Slide range back so rear range foot is engaged in the slot of the anti-tip bracket.

Re-engage anti-tip bracket if range is moved.

Do not operate range without anti-tip bracket installed and engaged.

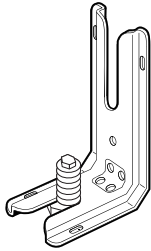
Failure to follow these instructions can result in death or serious burns to children and adults.

When moving range, slide range onto cardboard or hardboard to avoid damaging the floor covering.

If removing the range is necessary for cleaning or maintenance:

For power supply cord-connected ranges:

1. Slide range forward.
2. Unplug the power supply cord.
3. Complete cleaning or maintenance.
4. Plug power supply cord into a grounded outlet.
5. Slide range back so rear range foot is under anti-tip bracket.



6. Refer to the "Verify Anti-Tip Bracket Is Installed and Engaged" section to verify engagement.
7. Check that range is level.

For direct-wired ranges:

⚠ WARNING



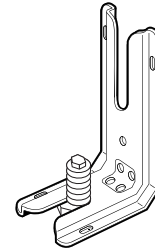
Electrical Shock Hazard

Disconnect power before servicing.

Replace all parts and panels before operating.

Failure to do so can result in death or electrical shock.

1. Disconnect power.
2. Slide range forward.
3. Complete cleaning or maintenance.
4. Slide range back so rear range foot is under anti-tip bracket.



5. Refer to the "Verify Anti-Tip Bracket Is Installed and Engaged" section to verify engagement.
6. Check that range is level.
7. Reconnect power.

SÉCURITÉ DE LA CUISINIÈRE

Votre sécurité et celle des autres est très importante.

Nous donnons de nombreux messages de sécurité importants dans ce manuel et sur votre appareil ménager. Assurez-vous de toujours lire tous les messages de sécurité et de vous y conformer.



Voici le symbole d'alerte de sécurité.

Ce symbole d'alerte de sécurité vous signale les dangers potentiels de décès et de blessures graves à vous et à d'autres.

Tous les messages de sécurité suivront le symbole d'alerte de sécurité et le mot "DANGER" ou "AVERTISSEMENT". Ces mots signifient :

⚠ DANGER

Risque possible de décès ou de blessure grave si vous ne suivez pas immédiatement les instructions.

⚠ AVERTISSEMENT

Risque possible de décès ou de blessure grave si vous ne suivez pas les instructions.

Tous les messages de sécurité vous diront quel est le danger potentiel et vous disent comment réduire le risque de blessure et ce qui peut se produire en cas de non-respect des instructions.

⚠ AVERTISSEMENT

Risque de basculement

Un enfant ou une personne adulte peut faire basculer la cuisinière, ce qui peut causer un décès.

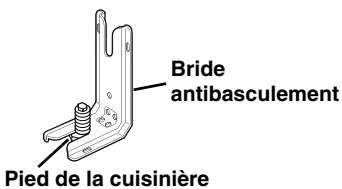
Fixer la bride antibasculement au plancher ou au mur, conformément aux instructions d'installation.

Faire glisser de nouveau la cuisinière de façon à ce que le pied arrière de la cuisinière se trouve dans la fente de la bride antibasculement.

Réengager la bride antibasculement si la cuisinière a été déplacée.

Ne pas faire fonctionner la cuisinière si la bride antibasculement n'est pas installée et engagée.

Le non-respect de ces instructions peut causer un décès ou des brûlures graves aux enfants et aux adultes.



Pour vérifier que la bride antibasculement est bien installée et engagée :

- Faire glisser la cuisinière vers l'avant.
- Vérifier que la bride antibasculement est bien fixée au plancher ou au mur.
- Faire de nouveau glisser la cuisinière vers l'arrière de sorte que le pied de la cuisinière se trouve sous la bride antibasculement.
- Voir les instructions d'installation pour plus de détails.

EXIGENCES D'INSTALLATION

Outils et pièces

Rassembler les outils et composants nécessaires avant d'entreprendre l'installation. Lire et observer les instructions fournies avec chacun des outils de la liste ci-dessous.

Outils nécessaires

- Mètre-ruban
- Clé ou pince
- Niveau
- Tourne-écrou $\frac{3}{8}$ "
- Tournevis Phillips
- Perceuse manuelle ou électrique
- Tournevis à lame plate
- Foret de $\frac{1}{8}$ " (3,2 mm)

Pièces fournies

Vérifier que toutes les pièces sont présentes.

- 3 écrous hexagonaux de 10-32 (joint au bloc de raccordement)
- 3 attaches de bornes
- Grilles du four
- 2 vis n° 12 x $1\frac{5}{8}$ " (pour le montage de la bride antibasculement)
- Bride anti-basculement (fixée par ruban adhésif à l'intérieur du four supérieur avec le sachet de documentation)

La bride antibasculement doit être bien fixée à la cloison arrière ou au plancher. L'épaisseur du plancher peut nécessiter des vis plus longues pour l'ancrage de la bride dans le sous-plancher. Des vis plus longues sont disponibles auprès de votre quincaillerie locale.

Pièces nécessaires

En cas d'utilisation d'un câble d'alimentation électrique :

- Cordon d'alimentation (homologation UL) conçu pour l'utilisation avec une cuisinière. Le cordon doit comporter les caractéristiques suivantes: service 250 volts minimum, 40 A ou 50 A, compatible avec une ouverture de diamètre nominal $1\frac{3}{8}$ " (3,5 cm) pour le raccordement, et avec cosses rondes ou en fourche à pointes relevées à l'extrémité de chaque conducteur.
- Un serre-câble (homologation UL).

Consulter les codes locaux. Vérifier l'alimentation électrique existante. Voir la section "Spécifications électriques".

Il est recommandé de faire réaliser tous les raccordements électriques par un électricien qualifié agréé.

Exigences d'emplacement

IMPORTANT : Observer les dispositions de tous les codes et règlements en vigueur.

- C'est à l'installateur qu'incombe la responsabilité de respecter les distances de séparation exigées, spécifiées sur la plaque signalétique de l'appareil. La plaque signalétique se trouve derrière le tableau de commande.
- Afin de supprimer le risque de brûlures ou d'incendie lié au fait de se pencher au-dessus des plaques de cuisson chaudes, les placards de rangement au-dessus des plaques doivent être évités. Si des placards de rangement sont envisagés, le risque peut être réduit par l'installation d'une hotte de cuisine dépassant le bas des placards d'au moins 5" (12,7 cm) horizontalement.
- Respecter les dimensions indiquées pour les ouvertures à découper dans les placards. Ces dimensions constituent les valeurs minimales des dégagements.
- La bride antibasculement de plancher doit être installée. Pour l'installation de la bride antibasculement fournie avec la cuisinière, voir la section "Installation de la bride antibasculement".
- Une source d'électricité avec liaison à la terre est nécessaire. Voir la section "Spécifications électriques".

IMPORTANT : Afin d'éviter d'endommager les placards, consulter le constructeur de la maison ou le fabricant des placards pour déterminer si les matériaux utilisés peuvent subir un changement de couleur, une déstratification ou d'autres dommages. Cette cuisinière a été conçue conformément aux exigences des normes UL et CSA International et respecte les températures maximales permises de 194°F (90°C) pour les placards en bois.

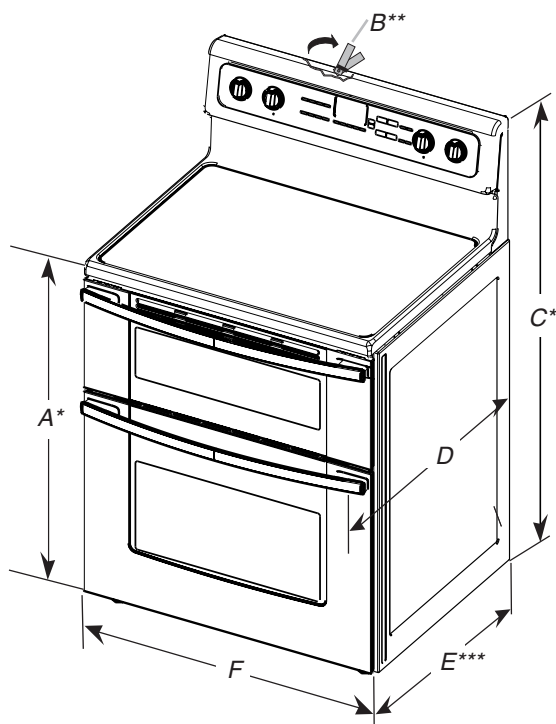
Résidence mobile – Spécifications additionnelles à respecter lors de l'installation

L'installation de cette cuisinière doit être conforme aux dispositions de la norme Manufactured Home Construction and Safety Standard, Title 24 CFR, Part 3280 (anciennement Federal Standard for Mobile Home Construction and Safety, Title 24, HUD Part 280). Lorsque cette norme n'est pas applicable, l'installation doit satisfaire aux critères de la norme Standard for Manufactured Home Installations, ANSI A225.1/ NFPA 501A ou aux dispositions des codes locaux.

Autres critères à respecter pour une installation en résidence mobile :

- Dans le cas de l'installation de cette cuisinière dans une résidence mobile, la cuisinière doit être fixée au plancher durant tout déplacement du véhicule. Toute méthode de fixation de la cuisinière est adéquate dans la mesure où elle satisfait aux critères des normes mentionnées ci-dessus.
- Pour une installation en résidence mobile, un câble ou cordon d'alimentation à quatre fils doit être utilisé. Le câblage de l'appareil devra être révisé. Voir la section "Raccordement électrique".

Dimensions du produit



- A. Hauteur minimale de la table de cuisson avec pieds de nivellement complètement relevés : $35\frac{3}{4}'' \pm \frac{1}{8}''$ (90,8 cm \pm 0,3 cm)*
- B. Plaques signalétiques (situées derrière le tableau de commande)**
- C. Hauteur minimale de la table de cuisson avec pieds de nivellement complètement relevés : $47\frac{1}{8}'' \pm \frac{1}{8}''$ (119,7 cm \pm 0,3 cm)**
- D. Profondeur avec poignée : $28\frac{1}{2}'' \pm \frac{1}{4}''$ (72,4 cm \pm 0,6 cm)
- E. $26\frac{1}{8}'' \pm \frac{1}{8}''$ (66,4 cm \pm 0,3 cm)***
- F. Largeur de $29\frac{15}{16}'' \pm \frac{1}{16}''$ (76 cm \pm 0,2 cm)

* La cuisinière peut être surélevée d'environ 1" (2,5 cm) en ajustant les pieds de nivellement.

** Il est possible de faire pivoter les plaques signalétiques vers le haut à partir de l'arrière du tableau de commande afin qu'elles soient visibles depuis l'avant de la cuisinière.

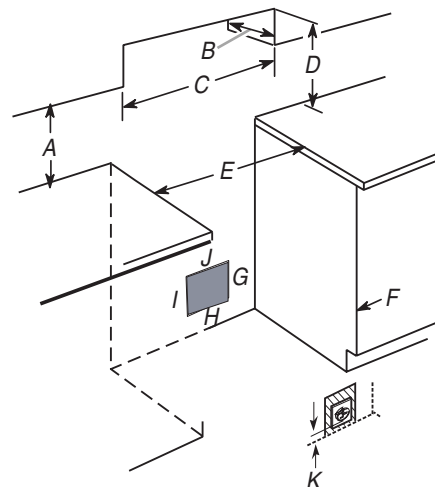
*** Poignée non comprise. La dimension fournie correspond à la distance du mur à l'avant de la porte du four et varie en fonction de l'installation de la prise électrique murale.

Dimensions du placard

Les dimensions de l'espace d'installation entre les placards sont valides pour l'installation entre des placards de 25" (63,5 cm) de profondeur avec plan de travail de 24" (61,0 cm) de profondeur et 36" (91,4 cm) de hauteur.

IMPORTANT : Si une hotte ou un ensemble hotte/four à micro-ondes est installé au-dessus de la surface de cuisson, suivre les instructions d'installation fournies avec la hotte ou l'ensemble hotte/four à micro-ondes concernant les dimensions de dégagement à respecter au-dessus de la surface de cuisson.

Une cuisinière autoportante peut être installée sans aucun dégagement à proximité de parois combustibles.



- A. 18" (45,7 cm) entre le placard supérieur et le plan de travail
- B. Profondeur des placards supérieurs : 13" (33,0 cm)
- C. Largeur de l'ouverture 30" (76,2 cm) min.
- D. Pour la distance libre minimale vers la partie supérieure de la table de cuisson, voir la REMARQUE.
- E. U.S.A. : Largeur de l'ouverture 30" (76,2 cm) min.
Canada : Largeur de l'ouverture 31" (78,7 cm) min.
- F. La porte ou charnière du placard ne doit pas dépasser à l'intérieur de l'ouverture*
- G. $1\frac{1}{2}''$ (3,8 cm) min. depuis le placard de droite
- H. 2" (5,1 cm) min. depuis le plancher
- I. 7" (17,8 cm) min. de hauteur
- J. 8" (20,3 cm) de largeur
- K. $3\frac{1}{2}''$ (8,9 cm) min. depuis le plancher

Position correcte de la prise illustrée ci-dessus.

* Aucun élément situé dans les zones grisées ne doit dépasser de plus de $1\frac{1}{2}''$ (3,8 cm) depuis le mur, sans quoi la cuisinière ne glissera pas jusqu'au fond.

REMARQUE : Distance de séparation minimale de 24" (61 cm) lorsque le fond d'un placard de bois ou de métal est protégé par une planche ignifugée d'au moins $\frac{1}{4}''$ (0,64 cm) recouverte d'une feuille métallique d'épaisseur égale ou supérieure à : acier calibre 28 MSG, acier inoxydable 0,015" (0,4 mm), aluminium 0,024" (0,6 mm), ou cuivre 0,020" (0,5 mm).

Distance de séparation de 30" (76,2 cm) ou plus entre le dessus de la table de cuisson et le fond d'un placard de bois ou de métal non protégé.

Spécifications électriques

AVERTISSEMENT



Risque de choc électrique

Relier la cuisinière à la terre.

Le non-respect de cette instruction peut causer un décès, un incendie ou un choc électrique.

Si les codes en vigueur le permettent et qu'un conducteur distinct de liaison à la terre est utilisé, on recommande qu'un électricien qualifié vérifie que la liaison à la terre et la taille du conducteur de liaison à la terre sont adéquates et conformes aux prescriptions des codes locaux.

Vérifier que le raccordement à la source d'électricité et le calibre des conducteurs sont conformes aux prescriptions de la plus récente édition des normes CSA C22.1, partie 1 - Code canadien de l'électricité, et de tout code ou règlement local en vigueur.

On peut obtenir un exemplaire des normes ci-dessus auprès de :

Canadian Standards Association
178 Rexdale Blvd.
Toronto, ON M9W 1R3 CANADA

- En cas de doute quant à la qualité de la liaison à la terre de la cuisinière, consulter un électricien qualifié.

Spécifications électriques pour la cuisinière*

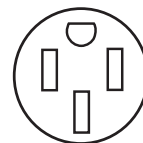
Intensité nominale spécifiée du cordon d'alimentation et de la protection du circuit

120/240 volts	120/208 volts	Ampères
8,8 - 16,5 KW	7,8 - 12,5 KW	40 ou 50**
16,6 - 22,5 KW	12,6 - 18,5 KW	50

* La charge NEC calculée est inférieure à la charge totale connectée indiquée sur la plaque signalétique.

** En cas de raccordement à un circuit de 50 A, utiliser un cordon de 50 A nominaux avec son ensemble. Pour les cordons de 50 A nominaux, utiliser des ensembles qui spécifient une utilisation avec une ouverture pour le raccordement d'un diamètre nominal de 1³/₈" (34,9 mm).

- On recommande l'emploi de fusibles temporisés ou disjoncteurs.
- Cette cuisinière est dotée d'un cordon d'alimentation (homologation CSA International) destiné à être branché sur une prise de courant murale standard 14-50R. Veiller à ce que la prise de courant murale soit placée à portée de la position de service finale de la cuisinière.



- Ne pas utiliser de câble de rallonge.

INSTRUCTIONS D'INSTALLATION

Déballage de la cuisinière

AVERTISSEMENT

Risque du poids excessif

Utiliser deux ou plus de personnes pour déplacer et installer la cuisinière.

Le non-respect de cette instruction peut causer une blessure au dos ou d'autre blessure.

1. Ôter les matériaux d'emballage, le ruban adhésif et le film de la cuisinière. Laisser la base de carton sous la cuisinière.
2. Retirer les grilles de four et le sachet de pièces de l'intérieur du four.
3. Pour placer la cuisinière sur sa partie postérieure, sortir les 4 coins de protection du carton d'emballage. Empiler l'un des coins sur un autre. Répéter avec les 2 autres coins. Les disposer sur le plancher dans le sens de la longueur derrière la cuisinière en guise de support lorsque la cuisinière est placée sur sa partie postérieure.
4. À l'aide de deux personnes ou plus, saisir fermement la cuisinière et la poser délicatement sur sa partie postérieure, sur les coins de protection.
5. Tirer fermement sur la partie inférieure du carton pour le retirer.
6. Utiliser une clé à molette pour desserrer les pieds de nivellement.
7. Placer le carton ou le panneau de fibres dur devant la cuisinière. À l'aide de deux personnes ou plus, relever la cuisinière et la placer sur le carton ou sur le panneau de fibres dur.

Réglage des pieds de nivellement

1. Si un ajustement de la hauteur de la cuisinière est nécessaire, utiliser une clé ou une pince pour desserrer les 4 pieds de nivellement.

Ceci doit être effectué alors que la cuisinière repose sur sa partie postérieure ou qu'elle est soutenue par 2 pieds après avoir été replacée en position verticale.

REMARQUE : Pour replacer la cuisinière en position verticale, placer un carton ou un panneau de fibres dur devant la cuisinière. À l'aide de deux personnes ou plus, relever la cuisinière et la placer sur le carton ou le panneau de fibres dur.

2. Ajuster les pieds de nivellement à la hauteur nécessaire. Les pieds de nivellement peuvent être desserrés pour ajouter une hauteur maximale de 1" (2,5 cm). Un minimum de ³/₁₆" (5,0 mm) est nécessaire pour engager la bride antibascullement.
- REMARQUE :** Si un ajustement de la hauteur est effectué alors que la cuisinière est debout, incliner la cuisinière vers l'arrière pour ajuster les pieds avant, puis incliner la cuisinière vers l'avant pour ajuster les pieds arrière.
3. Lorsque la cuisinière est à la hauteur souhaitée, vérifier qu'il y a un espace suffisant sous la cuisinière pour loger la bride antibascullement. Avant de faire glisser la cuisinière à son emplacement final, vérifier qu'il sera possible de faire glisser la bride antibascullement sous la cuisinière et sur le pied de nivellement arrière avant l'installation de la bride antibascullement.

Installation de la bride antibasculement

AVERTISSEMENT



Risque de basculement

Un enfant ou une personne adulte peut faire basculer la cuisinière, ce qui peut causer un décès.

Fixer la bride antibasculement au plancher ou au mur, conformément aux instructions d'installation.

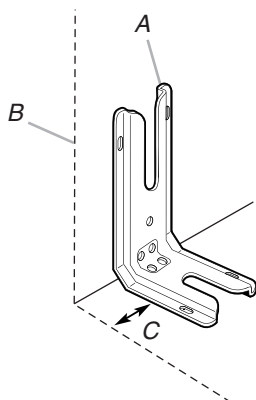
Faire glisser de nouveau la cuisinière de façon à ce que le pied arrière de la cuisinière se trouve dans la fente de la bride antibasculement.

Réengager la bride antibasculement si la cuisinière a été déplacée.

Ne pas faire fonctionner la cuisinière si la bride antibasculement n'est pas installée et engagée.

Le non-respect de ces instructions peut causer un décès ou des brûlures graves aux enfants et aux adultes.

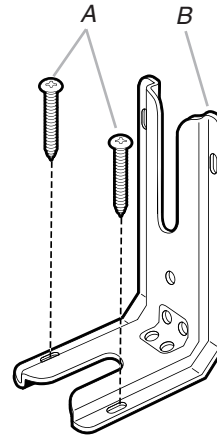
1. Retirer la bride antibasculement fixée dans le four supérieur par du ruban adhésif avec le sachet de documentation.
2. Déterminer la méthode de montage à utiliser : au plancher ou au mur. Pour un plancher en pierre ou en briquetage, on peut utiliser la méthode de montage au mur.
3. Déterminer et marquer l'emplacement du bord de la cuisinière dans l'espace à découper. On peut installer la bride de montage du côté gauche ou droit du découpage. Positionner la bride de montage dans la zone découpée de façon à ce que le bord droit (ou gauche) de la bride se trouve à $15/16$ " (2,4 cm) de l'emplacement du bord de la cuisinière, tel qu'illustré.



- A. Bride antibasculement
 B. Marquage de l'emplacement du bord de la cuisinière
 C. $15/16$ " (2,4 cm)

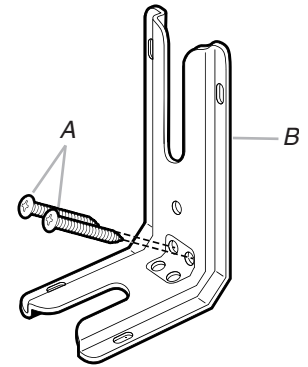
4. Percer deux trous de $1/8$ " (3,0 mm) qui correspondent aux trous de la bride selon la méthode de montage déterminée. Voir ci-dessous..

Montage au plancher



- A. Vis n° 12 x $1\frac{5}{8}$ "
 B. Bride antibasculement

Montage au mur



- A. Vis n° 12 x $1\frac{5}{8}$ "
 B. Bride antibasculement

5. À l'aide d'un tournevis Phillips, monter la bride antibasculement sur le mur ou sur le plancher avec les deux vis n° 12 x $1\frac{5}{8}$ " fournies.

Vérifier que la bride antibasculement est bien installée et engagée

1. Placer l'extérieur du pied contre la partie inférieure avant de la porte du four et saisir le côté inférieur droit ou gauche du tableau de commande tel qu'indiqué.

REMARQUE : Si le plan de travail comporte un dossier, il faudra peut-être saisir la cuisinière plus haut que ce qu'indique l'illustration.



2. Tenter d'incliner la cuisinière vers l'avant avec précaution. Si vous rencontrez une résistance immédiate, cela signifie que le pied de la cuisinière est engagé dans la bride antibasculement.

3. Si l'arrière de la cuisinière se soulève de plus de 1/2" (1,3 cm) du plancher sans opposer de résistance, cesser d'incliner la cuisinière et la reposer doucement sur le plancher. Le pied de la cuisinière n'est pas engagé dans la bride antibasculement.

IMPORTANT : Si l'on entend un claquement ou un bruit d'éclatement lorsqu'on soulève la cuisinière, cela signifie peut-être que la cuisinière n'est pas bien engagée dans la bride. Vérifier qu'aucune obstruction n'empêche la cuisinière de glisser vers le mur ou le pied de la cuisinière de glisser dans la bride. Vérifier que la bride est fermement maintenue en place par les vis de montage.

4. Glisser la cuisinière vers l'avant et vérifier que la bride antibasculement est bien fixée au plancher ou au mur.
5. Faire glisser de nouveau la cuisinière de façon à ce que le pied arrière de la cuisinière se trouve dans la fente de la bride antibasculement.

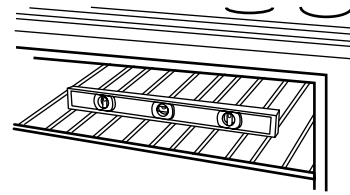
IMPORTANT : Si l'arrière de la cuisinière se trouve à plus de 2" (5,1 cm) du mur de montage, cela signifie que le pied arrière de la cuisinière n'est peut-être pas engagé dans la bride. Glisser la cuisinière vers l'avant et déterminer si un objet fait obstruction entre la cuisinière et la paroi de montage. Pour assistance ou dépannage, consulter la section "Assistance ou Service" du guide d'utilisation et d'entretien, la couverture ou la section "Garantie" des instructions d'utilisation pour obtenir les coordonnées des personnes à contacter.

6. Répéter les étapes 1 et 2 pour s'assurer que le pied de la cuisinière est bien engagé dans la bride antibasculement.

Si l'arrière de la cuisinière se soulève de plus de 1/2" (1,3 cm) du plancher sans opposer de résistance, cela peut signifier que la bride antibasculement n'est pas correctement installée. Ne pas faire fonctionner la cuisinière si la bride antibasculement n'est pas installée et engagée. Consulter la section "Assistance ou Service" du guide d'utilisation et d'entretien, la couverture ou la section "Garantie" des instructions d'utilisation pour pouvoir contacter un service de dépannage.

Réglage de l'aplomb de la cuisinière

1. Placer une grille dans le four.
2. Placer un niveau sur la grille et contrôler l'aplomb de la cuisinière, d'abord transversalement, puis dans le sens avant/ arrière.

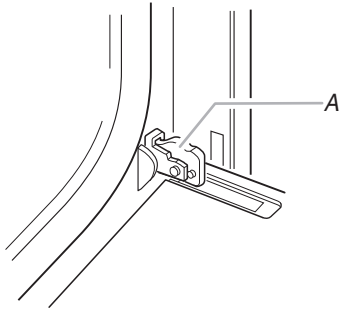


3. Si la cuisinière n'est pas d'aplomb, la tirer de nouveau pour que le pied de nivellement arrière se dégage de la bride antibasculement.
4. Utiliser une clé pour régler les pieds de nivellement vers le haut ou vers le bas jusqu'à ce que la cuisinière soit d'aplomb. Repousser la cuisinière pour la remettre en place.
5. Vérifier que le pied de nivellement arrière est engagé dans la bride antibasculement.

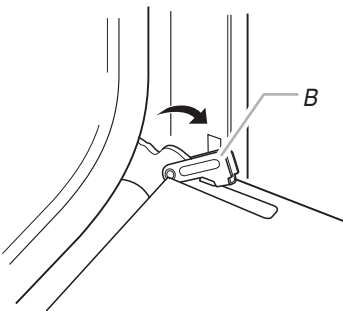
REMARQUE : La cuisinière doit être d'aplomb pour que les résultats de cuisson au four soient satisfaisants.

Enlever la/les porte(s) du four

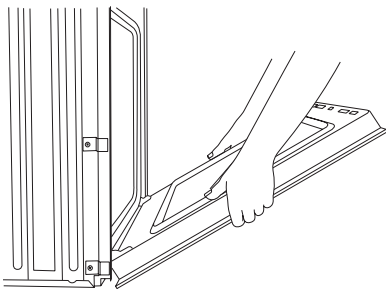
- La cuisinière est conçue pour que ses portes n'aient pas à être enlevées lors d'une utilisation ou d'un nettoyage normal. Elles peuvent cependant être enlevées au besoin.
- Ne pas soulever ou déplacer la cuisinière par la (les) poignée(s) de la porte.
- Préparer une surface où l'on pourra déposer la ou les porte(s). Cette surface doit être plate et recouverte d'une couverture douce. On peut aussi utiliser les cornières de l'emballage.



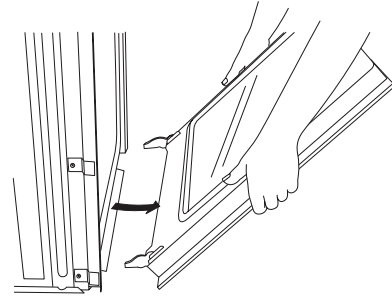
A. Charnière de la porte du four en position de verrouillage



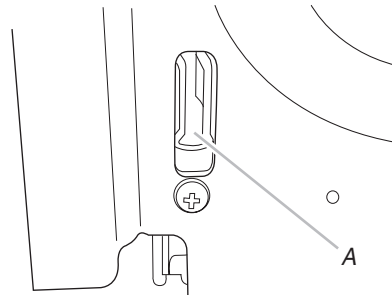
B. Charnière de la porte du four en position de déverrouillage



Fermer partiellement la porte pour engager les loquets de la gâche de porte. La porte restera bloquée à cette position.



Retirer et remettre en place la/les porte(s) du four avec les deux mains. Vous devrez peut-être basculer doucement la porte d'un côté et de l'autre.



A. Encoche située dans le châssis du four pour le loquet de charnière de la porte

- Pour remettre en place la ou les porte(s) du four, identifier les encoches pour les loquets de charnière situées dans la cavité du four, puis répéter les étapes précédentes dans l'ordre inverse. S'assurer que la porte ferme correctement et qu'il n'y a pas de blocage au niveau du loquet de la porte. Si nécessaire, retirer la porte et répéter les étapes précédentes. Si la cuisinière est connectée à une source d'alimentation électrique, ouvrir et fermer la porte pour s'assurer que la lampe du four s'allume et s'éteint convenablement..
- Suivre les instructions d'installation situées dans le sachet de documentation.

Achever l'installation

1. Vérifier que toutes les pièces sont maintenant installées. S'il reste une pièce, passer en revue les différentes étapes pour découvrir laquelle aurait été oubliée.
2. Vérifier la présence de tous les outils.
3. Éliminer/recycler tous les matériaux d'emballage.
4. Vérifier que la cuisinière est d'aplomb. Voir "Réglage de l'aplomb de la cuisinière".
5. Utiliser une solution d'eau tiède et de nettoyant ménager doux pour éliminer tout résidu de cire laissé par les matériaux d'emballage. Sécher parfaitement avec un linge doux. Pour plus d'informations, lire la section "Entretien de la cuisinière" dans le Guide d'utilisation et d'entretien.
6. Lire le Guide d'utilisation et d'entretien de la cuisinière.
7. Brancher le cordon électrique dans la prise de courant appropriée. Faire glisser la cuisinière à son emplacement final. Vérifier que le câble flexible ou le cordon électrique ne sont pas déformés.
8. Mettre l'appareil sous tension. Mettre en marche les éléments de surface et le four. Pour des instructions spécifiques concernant l'utilisation de la cuisinière, consulter le Guide d'utilisation et d'entretien.

Si la cuisinière ne fonctionne pas, contrôler ce qui suit :

- Les fusibles du domicile sont intacts et serrés; le disjoncteur n'est pas déclenché.
- La cuisinière est branchée sur une prise reliée à la terre.
- La prise de courant est correctement alimentée.
- Consulter la section "Dépannage" dans le Guide d'utilisation et d'entretien.

Après 5 minutes de fonctionnement de la cuisinière, vérifier la chaleur. Si la cuisinière est froide, l'éteindre et contacter un technicien qualifié.

Déplacement de la cuisinière

⚠ AVERTISSEMENT



Risque de basculement

Un enfant ou une personne adulte peut faire basculer la cuisinière, ce qui peut causer un décès.

Fixer la bride antibasculement au plancher ou au mur, conformément aux instructions d'installation.

Faire glisser de nouveau la cuisinière de façon à ce que le pied arrière de la cuisinière se trouve dans la fente de la bride antibasculement.

Réengager la bride antibasculement si la cuisinière a été déplacée.

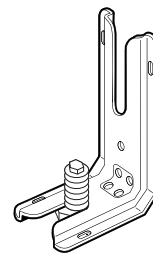
Ne pas faire fonctionner la cuisinière si la bride antibasculement n'est pas installée et engagée.

Le non-respect de ces instructions peut causer un décès ou des brûlures graves aux enfants et aux adultes.

Lorsqu'on déplace la cuisinière, la faire glisser sur une planche de carton ou en matériau dur pour éviter d'endommager le revêtement du sol.

Si le déplacement de la cuisinière est nécessaire pour le nettoyage ou l'entretien :

1. Faire glisser la cuisinière vers l'avant.
2. Débrancher le cordon d'alimentation électrique.
3. Effectuer le nettoyage ou l'entretien.
4. Brancher le cordon électrique dans une prise de courant reliée à la terre.
5. Faire glisser de nouveau la cuisinière de façon à ce que le pied arrière de la cuisinière se trouve sous la bride antibasculement.



6. Pour vérifier que la bride est bien engagée, consulter la section "Vérifier que la bride anti-basculement est bien installée et engagée".
7. Vérifier que la cuisinière est d'aplomb.