

# DETAILED PLANNING DIMENSION

## WHIRLPOOL® STACKED LAUNDRY CENTER WITH 9 WASH CYCLES AND WRINKLE SHIELD™



**IMPORTANT:** Dimensional specifications are provided for planning purposes only.

# DETAILED PLANNING DIMENSION

## WHIRLPOOL® STACKED LAUNDRY CENTER WITH 9 WASH CYCLES AND WRINKLE SHIELD™

### ELECTRICAL REQUIREMENTS

**WARNING:** To reduce the risk of fire, electric shock, or injury to persons, read the IMPORTANT SAFETY INSTRUCTIONS and INSTALLATION INSTRUCTIONS, located in your appliance's Owner's Manual, before installing and operating this appliance.

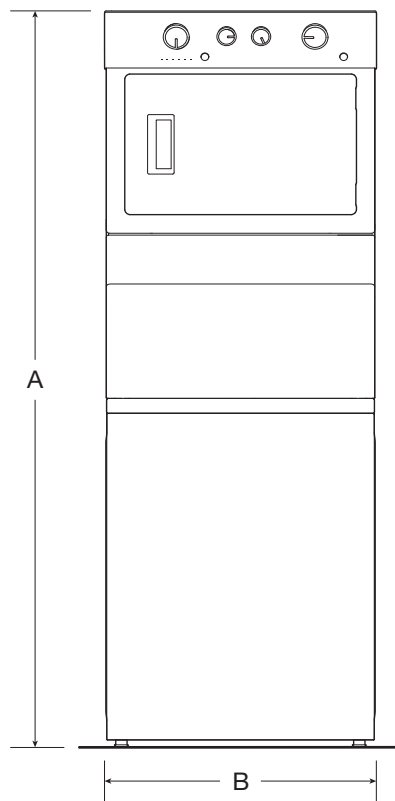
Electrical Requirements	
<b>WGTLV27HW</b>	<b>3.5 cu ft DOE (US) Washer Basket Capacity/ 5.0 cu ft IEC (CAN) Dryer Drum Capacity</b>
Minimum Circuit Amperage Rating	15 A
Maximum AMP Draw	15 A
Operating Voltage	120 V AC only
Operating Frequency	60 Hz

Drum Volume	
Dryer	5.9 cu ft
Washer	-

### PRODUCT DIMENSIONS

<b>WGTLV27HW</b>	<b>3.5 cu ft DOE (US) Washer Basket Capacity/ 5.0 cu ft IEC (CAN) Dryer Drum Capacity</b>			
Unit of Measurement	in (minimum)	mm (minimum)	in (maximum)	mm (maximum)
Height (with feet) (A)	75	1905	-	-
Product Width (B)	27¼	692	-	-



**FRONT VIEW**

**IMPORTANT:** Dimensional specifications are provided for planning purposes only.

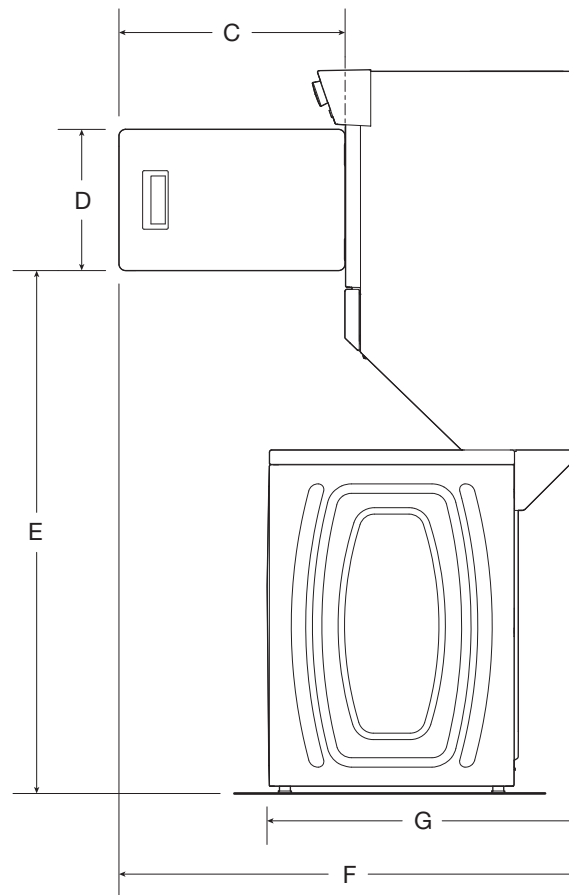


# DETAILED PLANNING DIMENSION

## WHIRLPOOL® STACKED LAUNDRY CENTER WITH 9 WASH CYCLES AND WRINKLE SHIELD™

### PRODUCT DIMENSIONS

WGTLV27HW	3.5 cu ft DOE (US) Washer Basket Capacity/ 5.0 cu ft IEC (CAN) Dryer Drum Capacity			
Unit of Measurement	in (minimum)	mm (minimum)	in (maximum)	mm (maximum)
Door Width (C)	23 <sup>3</sup> / <sub>4</sub>	603	24	610
Door Height (D)	14 <sup>3</sup> / <sub>4</sub>	375	15 <sup>3</sup> / <sub>16</sub>	386
Height to Bottom of Door (E)	53 <sup>1</sup> / <sub>2</sub>	1359	-	-
Product Depth with Dryer Door Open (F)	47 <sup>15</sup> / <sub>16</sub>	1218	-	-
Product Depth (G)	32 <sup>7</sup> / <sub>16</sub>	824	-	-



**SIDE VIEW**

**IMPORTANT:** Dimensional specifications are provided for planning purposes only.

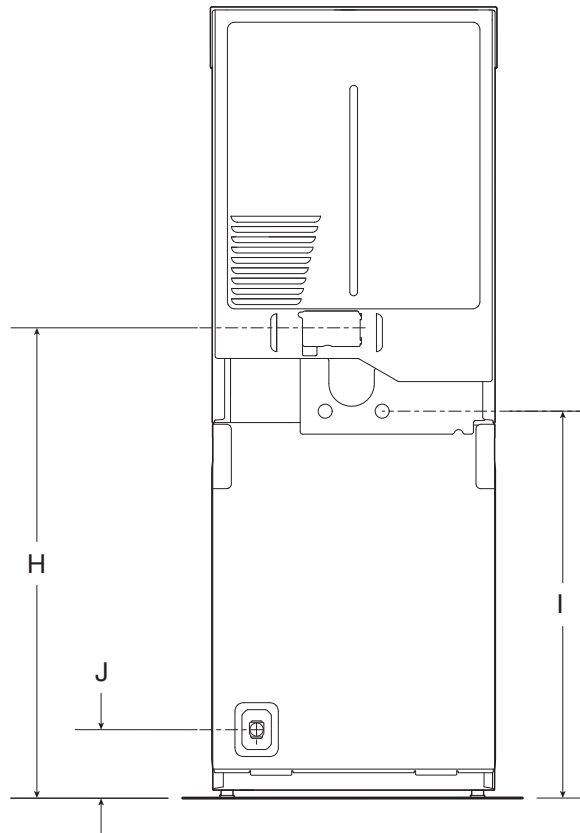


# DETAILED PLANNING DIMENSION

## WHIRLPOOL® STACKED LAUNDRY CENTER WITH 9 WASH CYCLES AND WRINKLE SHIELD™

### PRODUCT DIMENSIONS

WGTLV27HW	3.5 cu ft DOE (US) Washer Basket Capacity/ 5.0 cu ft IEC (CAN) Dryer Drum Capacity			
Unit of Measurement	in (minimum)	mm (minimum)	in (maximum)	mm (maximum)
Position of Power Cord (H)	44 $\frac{1}{8}$	1121	45	1143
Power Cord Length	60	1524	-	-
Position of Water Inlet Valves (I)	32	813	37	940
Drain Hose Length	-	-	-	-
Diameter of Drain Hose	-	-	-	-
Position of Drain Hose (J)	6	152	-	-



**BACK VIEW**

**IMPORTANT:** Dimensional specifications are provided for planning purposes only.

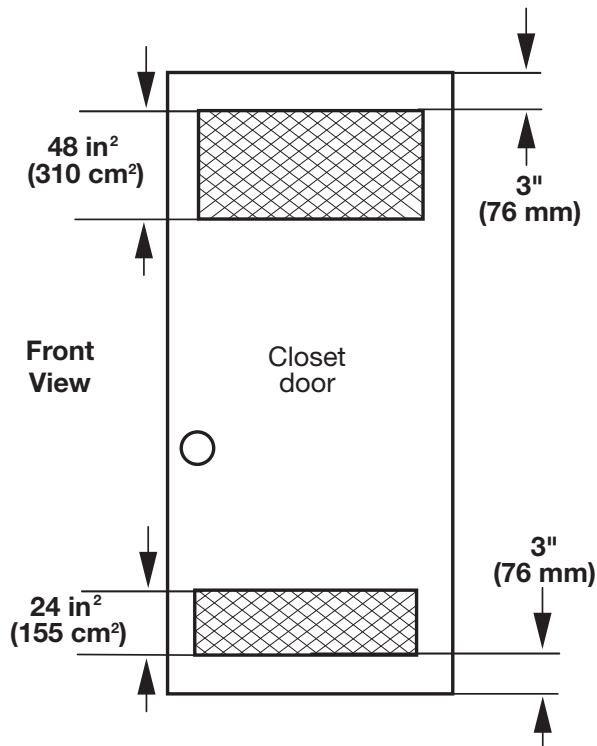


## WHIRLPOOL® STACKED LAUNDRY CENTER WITH 9 WASH CYCLES AND WRINKLE SHIELD™

### RECESSED AREA OR CLOSET INSTALLATION

All dimensions show recommended spacing allowed, except for closet door ventilation openings which are minimum required. This washer has been tested for installation with spacing of 0" (0 mm) clearance on the sides. Consider allowing more space for ease of installation and servicing, and spacing for companion appliances and clearances for walls, doors, and floor moldings. Add spacing of 1" (25 mm) on all sides of washer to reduce noise transfer. Rear clearance minimum of 5" (125 mm). If a closet door or louvered door is installed, top and bottom air openings in door are required.

\*For additional details (or information) specific to your model, refer to your Quick Start Guide.



**IMPORTANT:** Dimensional specifications are provided for planning purposes only.