



1.1 cu. ft. Low Profile Microwave Hood Combination

WML55011H



Stainless Steel
WML55011HS

Capacity

Total	1.1 cu. ft.
-------	-------------

General Features & Properties

Tap-To-Open Door

Concealed Touch Controls

90° Hinge Door

Popcorn Preset

1,000-Watt Cooking Power

Turntable On/Off Option

Dishwasher-Safe Turntable Plate

Microwave Presets

Add 30 Seconds Option

Electrical Details

Amps	15
------	----

Volts	120
-------	-----

Technical Details

Microwave Type	Over-the-Range
----------------	----------------

CFMs	400
------	-----

Lighting Type	Halogen
---------------	---------

Number of Speeds	3
------------------	---

Venting Type	Updraft
--------------	---------

Dimensions

Product Dimensions (H x W x D)	10-5/16" x 29-7/8" x 18"
--------------------------------	--------------------------

Depth with Door Open 90°	42-1/8"
--------------------------	---------

Cutout Dimensions (W x D)	30" x 12" minimum
---------------------------	-------------------

Reference Material

[Install Guide](#)

[Use & Care Guide](#)

[Warranty](#)

Also available in:

White **WML55011HW**

Black **WML55011HB**

Key Features & Benefits

Low Profile Design

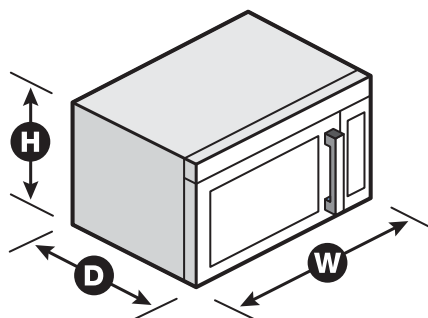
Maximize space by moving your microwave off the countertop with a Low Profile design that fits in the same space as your undercabinet hood.*

Purposeful Capacity

Fit tall glasses, wide plates and big bowls in this low profile microwave that still has enough room for all the essentials with 1.1 cu. ft. of purposeful capacity.

400 CFM Motor Class High Performance Venting

Keep your kitchen smelling like home with 400 CFM motor class high performance venting that quickly gets rid of smoke, odor and moisture.**



*Based on 24" minimum install for undercabinet hoods and Low Profile Microwave Hood. **Performance varies based on installation. NOTE: Dimensions are for planning purposes only. For complete details, see Installation Instructions packed with product. Specifications subject to change without notice. ®/™ © 2020. All rights reserved. Printed in the U.S.A. D200104XXE. WML55011HSpecSheetV01.