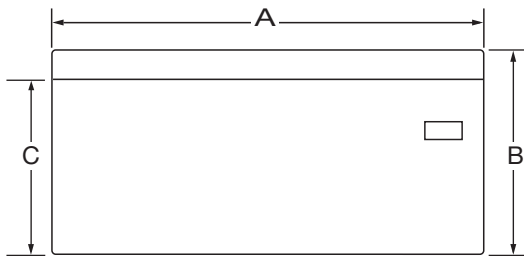


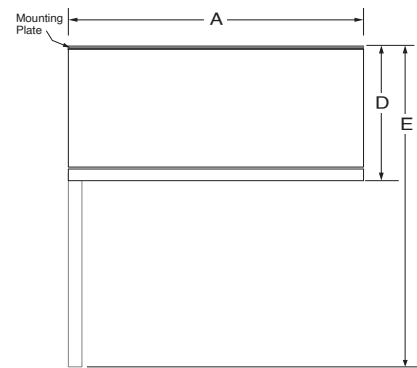
## MICROWAVE OVEN

### PRODUCT DIMENSIONS

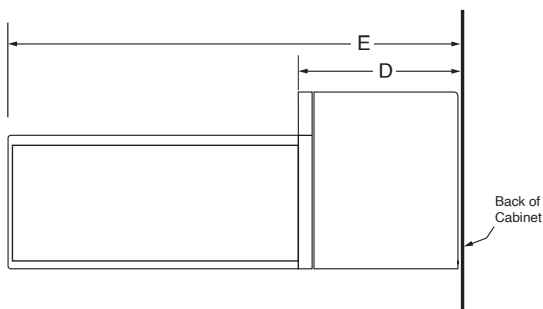
| MODEL #  | WMMF5930P/YWMMF5930P/MMMF6030P/YMMMF6030P/<br>KMMF330P/YKMMF330P/WMMF7330R/YWMMF7330R/<br>WMMF7530R/MMMF8030P/YMMMF8030P/KMMF530P/<br>YKMMF530P/KMMF730P/YKMMF730P/JMHF730R/<br>YJMHF730R/JMHF930R/YJMHF930R |       |
|--|--|-------|
| Unit of Measurement                                      | in   | cm    |
| Overall Width (A)  | 30   | 76    |
| Overall Height (B)                                       | 17 <sup>7</sup> / <sub>8</sub>   | 45.4  |
| Height of the door (C)                                   | 15   | 38.2  |
| Depth with door (D)                                      | 12 <sup>3</sup> / <sub>4</sub>   | 32.4  |
| Depth with door open 90° (E)                             | 41.4   | 105.3 |
| Depth with door with Bump Out Kit (L hook) (F1)          | 13.8   | 35.0  |
| Depth with door with Bump Out Kit (M hook) (F2)          | 14.3   | 36.3  |
| Depth with door with Bump Out Kit (N hook) (F3)          | 14.8   | 37.6  |
| Depth with door with Bump Out Kit (P hook) (F4)          | 15.3   | 38.9  |
| Depth with door with Bump Out Kit (R hook) (F5)          | 15.8   | 40.2  |
| Depth with door open 90° with Bump Out Kit (L hook) (G1) | 42.5   | 107.8 |
| Depth with door open 90° with Bump Out Kit (M hook) (G2) | 43.0   | 109.1 |
| Depth with door open 90° with Bump Out Kit (N hook) (G3) | 43.5   | 110.4 |
| Depth with door open 90° with Bump Out Kit (P hook) (G4) | 44.0   | 111.7 |
| Depth with door open 90° with Bump Out Kit (R hook) (G5) | 44.5   | 113.0 |



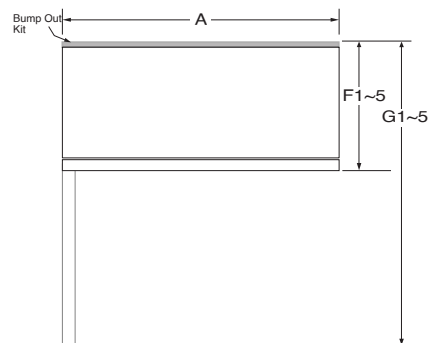
**FRONT VIEW**



**TOP VIEW**



**SIDE VIEW**



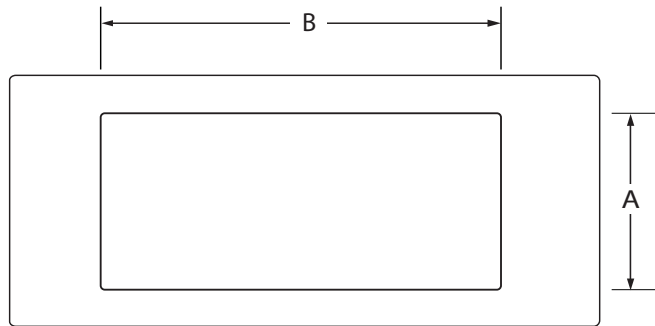
**TOP VIEW WITH BUMP OUT KIT**

**IMPORTANT:** Dimensional specifications are provided for planning purposes only. **Do not make any cutouts based on this information.** Refer to the Installation Guide before selecting cabinetry, verifying electrical/gas connections, making cutouts or beginning installation. All appliances are appropriately UL, CUL or CSA approved.

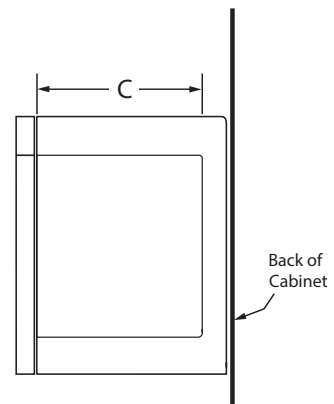
**MICROWAVE OVEN**

MICROWAVE INTERIOR CAVITY DIMENSIONS

| MODEL #             | WMMF5930P/YWMMF5930P/MMMF6030P/YMMMF6030P<br>KMMF330P/YKMMF330P/WMMF7330R/YWMMF7330R<br>WMMF7530R/MMMF8030P/YMMMF8030P/KMMF530P<br>YKMMF530P/KMMF730P/YKMMF730P/JMHF730R<br>YJMHF730R/JMHF930R/YJMHF930R |      |
|---------------------|--|------|
| Unit of Measurement | in   | cm   |
| Cavity Height (A)   | 9.1  | 23   |
| Cavity Width (B)    | 18.1   | 46   |
| Cavity Depth (C)    | 11   | 27.9 |



**CAVITY INTERIOR FRONT VIEW**



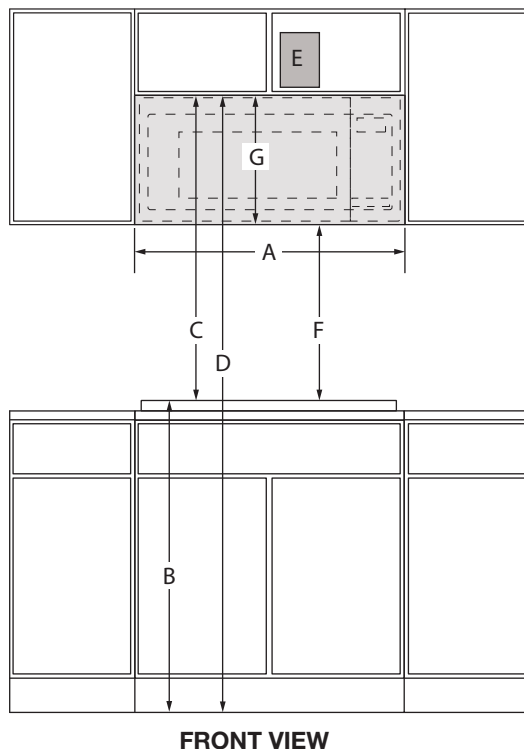
**CAVITY INTERIOR SIDE VIEW**

**IMPORTANT:** Dimensional specifications are provided for planning purposes only. Do not make any cutouts based on this information. Refer to the Installation Guide before selecting cabinetry, verifying electrical/gas connections, making cutouts or beginning installation. All appliances are appropriately UL, CUL or CSA approved.

## MICROWAVE OVEN

### OPENING/CLEARANCE DIMENSIONS

| MODEL #   | WMMF5930P/YWMMF5930P/MMMF6030P<br>YMMMF6030P/KMMF330P/YKMMF330P<br>WMMF7330R/YWMMF7330R/WMMF7530R<br>MMMF8030P/YMMMF8030P/KMMF530P<br>YKMMF530P/KMMF730P/YKMMF730P<br>JMHF730R/YJMHF730R/JMHF930R<br>JMHF930R/YJMHF930R |       |
|---|---|-------|
|   | in  | cm    |
| Width of cabinet opening (minimum) (A)  | 30  | 76.2  |
| Typical height from cooking surface to floor based on 36" (91.4 cm) countertops. (B)              | 36  | 91.4  |
| Typical height from top of cabinet to cooking surface based on 36" (91.4 cm) countertops. (C)     | 30  | 76.2  |
| Recommended height from top of cabinet to cooking surface based on 36" (91.4 cm) countertops. (C) | 36  | 91.4  |
| Minimum height from floor to top of cabinet opening. (B + C = D). (D)                             | 66  | 167.6 |
| Recommended height from floor to top of cabinet opening (B + C = D). (D)                          | 72  | 183   |
| Recommended electrical connection location. (E)   | See below schematic   |       |
| Minimum height from floor to bottom of the microwave oven (F)                                     | 12 <sup>1</sup> / <sub>8</sub>  | 30.8  |
| Recommended height from floor to bottom of the microwave oven (F)                                 | 18 <sup>1</sup> / <sub>8</sub>  | 46    |
| Minimum height of Flat back surface (G)   | 18  | 45.8  |



### ELECTRICAL REQUIREMENTS

120 V, 60 Hz AC only, 15 A or 20 A fused, electrical supply is required. A time-delay fuse or dedicated circuit is recommended. Do not use an extension cord.

### LOCATION REQUIREMENTS

Support structure must be able to support 150 lb (68 kg) including microwave oven and upper cabinet including contents.

Mounting plate must attach to a minimum of one 2" x 4" (5.1 cm x 10.2 cm) wall stud.

Mounting distance between a fixed wall on the hinged-side of the door and the microwave oven is 5" (12.7 cm).

### VENTING REQUIREMENTS

The microwave oven is factory set for recirculating ventilation. To vent through the roof or wall, refer to installation instructions for further information.

**IMPORTANT:** Dimensional specifications are provided for planning purposes only.

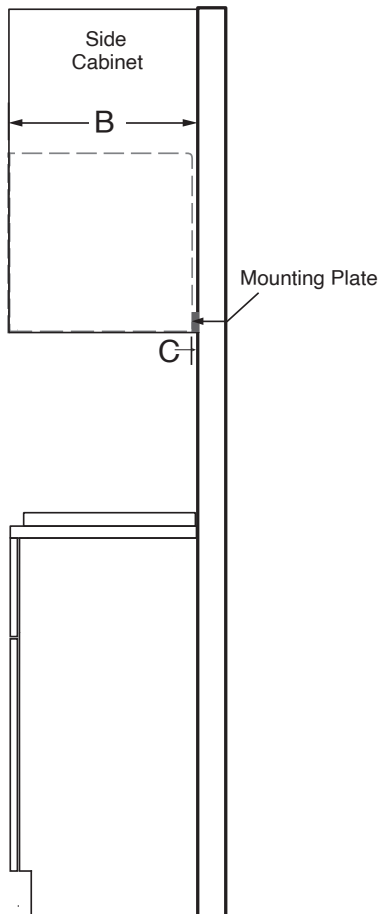
**Do not make any cutouts based on this information.** Refer to the Installation Guide before selecting cabinetry, verifying electrical/gas connections, making cutouts or beginning installation. All appliances are appropriately UL, CUL or CSA approved.

**MICROWAVE OVEN**

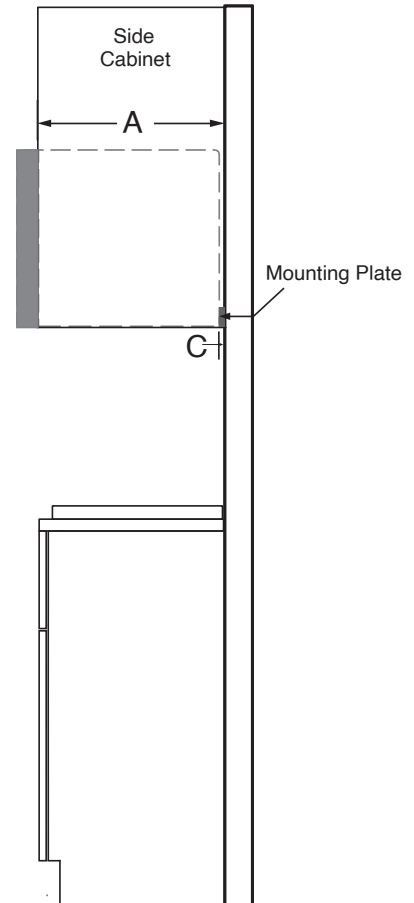
OPENING/CLEARANCE DIMENSIONS

| MODEL #   | WMMF5930P/YWMMF5930P/MMMF6030P/YMMMF6030P<br>KMMF330P/YKMMF330P/WMMF7330R/YWMMF7330R<br>WMMF7530R/MMMF8030P/YMMMF8030P/KMMF530P<br>YKMMF530P/KMMF730P/YKMMF730P/JMHF730R<br>YJMHF730R/JMHF930R/YJMHF930R |           |
|---|--|-----------|
| Opening/Clearance Measurement   | in   | cm        |
| Depth of upper cabinet (minimum-maximum) Stand Out* (A)   | 12~12.75   | 30.5~32.4 |
| Depth of upper cabinet (minimum-maximum) Flush* (B)   | 12.75~13   | 32.4~33   |
| Depth of upper cabinet (minimum-maximum)* (C)   | 0.5  | 1.27      |
| Can this product be installed flush? Flush refers to there appliance not protruding past the cabinet depth. (Y/N) | (A) N<br>(B) Y   |           |

\*This microwave oven is factory set for 12" (30.5 cm)~13" (33.02 cm) depth of upper cabinet, install with the provided mounting plate.



**SIDE VIEW**



**SIDE VIEW**



**BACK VIEW**

**IMPORTANT:** Dimensional specifications are provided for planning purposes only. Do not make any cutouts based on this information. Refer to the Installation Guide before selecting cabinetry, verifying electrical/gas connections, making cutouts or beginning installation. All appliances are appropriately UL, CUL or CSA approved.

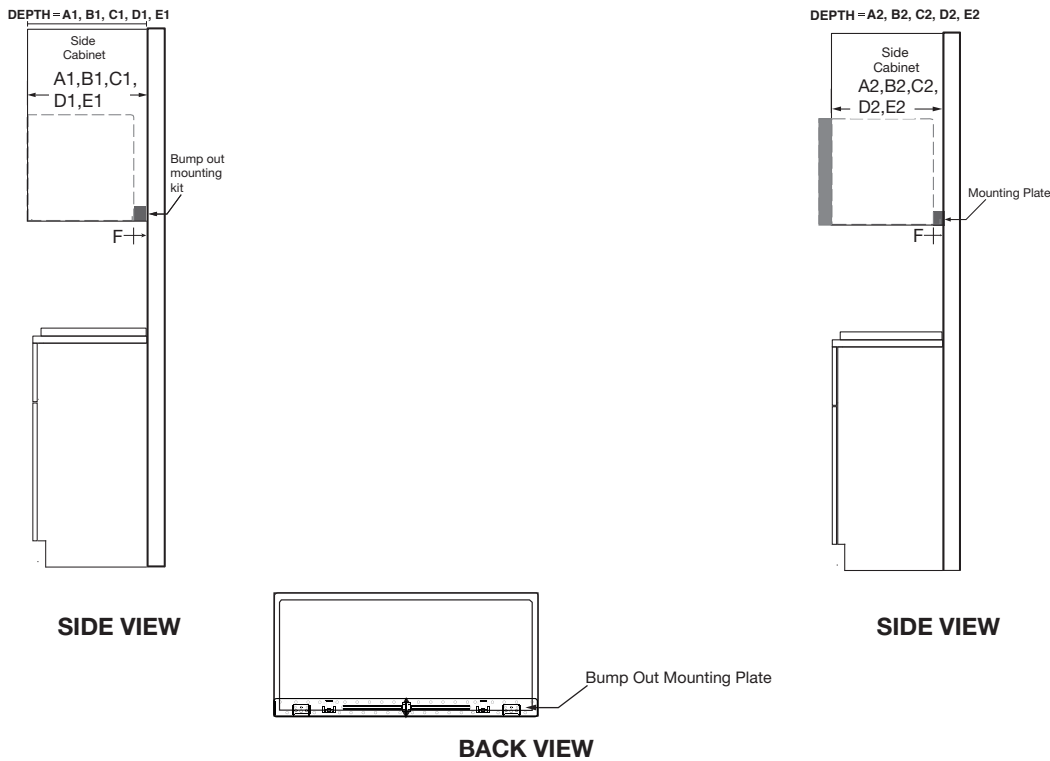
## MICROWAVE OVEN

### OPENING/CLEARANCE DIMENSIONS

| MODEL #   | WMMF5930P/YWMMF5930P/MMMF6030P<br>YMMMF6030P/KMMF330P/YKMMF330P<br>WMMF7330R/YWMMF7330R/WMMF7530R<br>MMMF8030P/YMMMF8030P/KMMF530P<br>YKMMF530P/KMMF730P/YKMMF730P<br>JMHF730R/YJMHF730R/JMHF930R/YJMHF930R |           |
|---|---|-----------|
|   | in  | cm        |
| Depth of upper cabinet (minimum-maximum) Flush* (A1)  | 13¾~14  | 35~35.6   |
| Depth of upper cabinet (minimum-maximum) Stand out* (A2)  | 13~13¾  | 33~35     |
| Depth of upper cabinet (minimum-maximum) Flush* (B1)  | 14¼~14½   | 36.2~36.8 |
| Depth of upper cabinet (minimum-maximum) Stand out* (B2)  | 14~14¼  | 35.6~36.2 |
| Depth of upper cabinet (minimum-maximum) Flush* (C1)  | 14¾~15  | 37.5~38.1 |
| Depth of upper cabinet (minimum-maximum) Stand out* (C2)  | 14½~14¾   | 36.8~37.5 |
| Depth of upper cabinet (minimum-maximum) Flush* (D1)  | 15¼~15½   | 38.7~39.4 |
| Depth of upper cabinet (minimum-maximum) Stand out* (D2)  | 15~15¼  | 38.1~38.7 |
| Depth of upper cabinet (minimum-maximum) Flush* (E1)  | 15¾~16  | 40~40.6   |
| Depth of upper cabinet (minimum-maximum) Stand out* (E2)  | 15½~15¾   | 39.4~40   |
| Back of the microwave oven to back of the cabinet or Wall (F)   | 1.5~3.5   | 3.8~8.9   |
| Can this product be installed flush? Flush refers to the appliance not protruding past the cabinet depth. (Y/N) | (A1, B1, C1, D1, E1) Y<br>(A2, B2, C2, D2, E2) N  |           |

#### D-Depth of upper cabinet

\*For the depth of upper cabinet larger than 13" (33.02 cm), and less than or equal to 16" (40.64 cm) depth of upper cabinet, install with the optional bump out mounting kit W11630300, the bump out mounting kit is not provided, but can be purchased from Whirlpool®.



**IMPORTANT:** Dimensional specifications are provided for planning purposes only.  
**Do not make any cutouts based on this information.** Refer to the Installation Guide before selecting cabinetry, verifying electrical/gas connections, making cutouts or beginning installation. All appliances are appropriately UL, CUL or CSA approved.