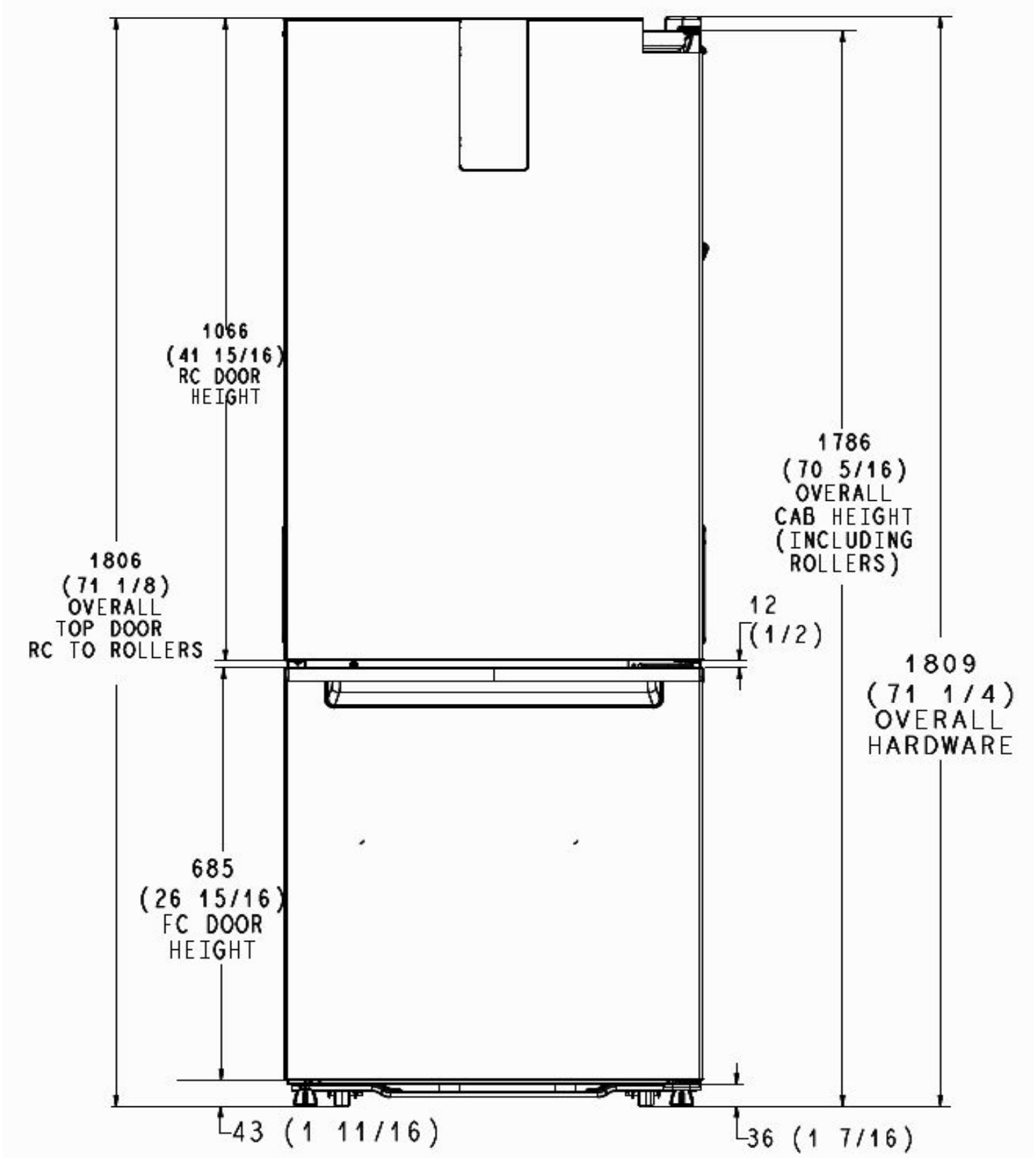


**Models** WRB533CZJB, WRB533CZJW, WRB533CZJZ, WRB543CMJV, WRB543CMJZ

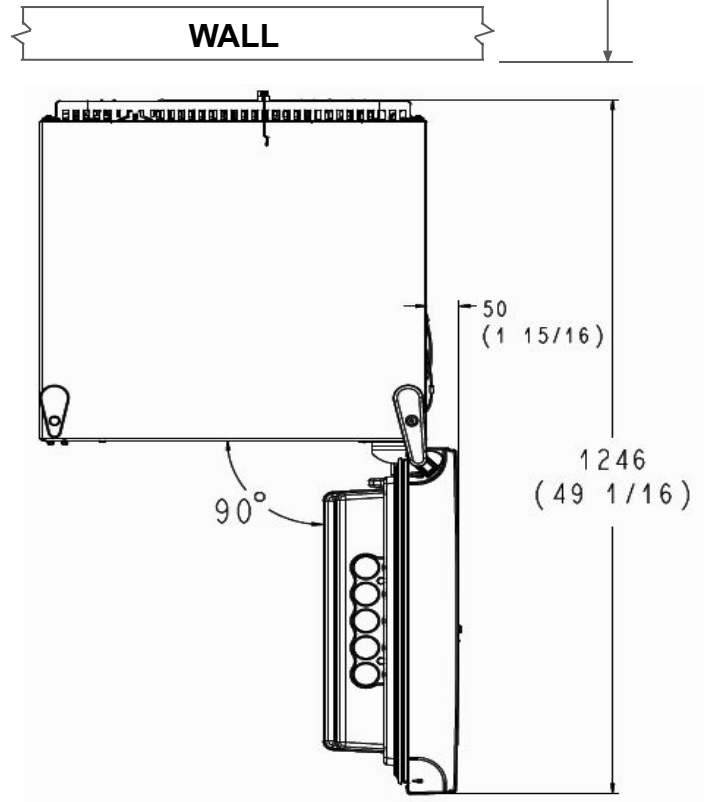
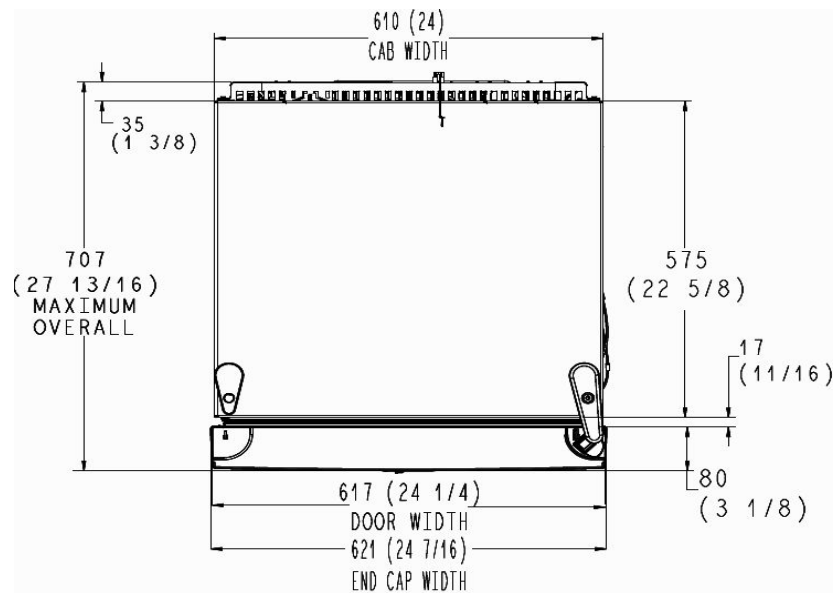


NOTE: MILLIMETER DIMENSIONS ARE ACTUAL. FRACTIONAL INCH DIMENSIONS ARE DERIVED FROM ACTUAL BY ROUNDING TO THE NEAREST 1/16 INCH.

Note: All the dimension are millimeters (inches in) i.e. 610 mm (24 in)

**PN W11440352**

Allow at least 1" (2.54 cm) between back of cabinet and the wall (consider the condenser as back in case is present). If your refrigerator has an ice maker, make sure you leave 1" (2.54 cm) at the back for the water line connections.



**Note:** All the dimension are millimeters (inches in) i.e. 610 mm (24 in)

### LOCATION REQUIREMENTS

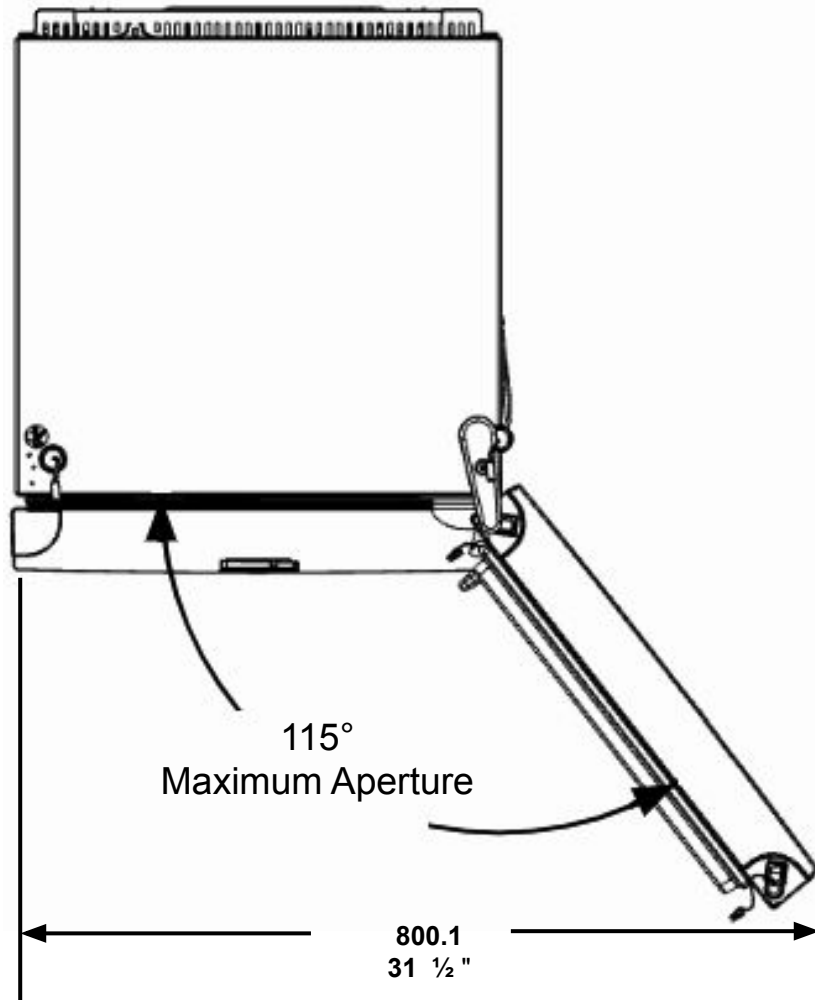


To ensure proper ventilation for your refrigerator, it is recommended to allow a 1/2" (1.27 cm) space on each side. Allow 1 1/2" (3.81 cm) of space between overhead cabinets and refrigerator top. Allow at least 1" (2.54 cm) between back of cabinet and the wall (consider the condenser as back in case is present). If your refrigerator has an ice maker, make sure you leave extra space at the back for the water line connections.

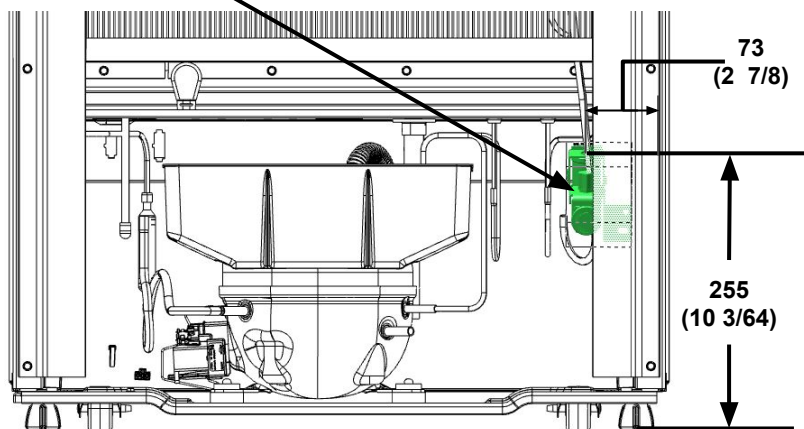
If you are installing your refrigerator next to a fixed wall, leave 2 1/4 (5.7 cm) on the hinge side to allow the door to swing open.

This space on the hinge side also allows for crisper removal when the door is fully swung open.

**NOTE:** This refrigerator is intended for use in a location where the temperature ranges from a minimum of 55°F (13°C) to a maximum of 110°F (43°C). The preferred room temperature range for optimum performance, which reduces electricity usage and provides superior cooling, is between 60°F (15°C) and 90°F (32°C). It is recommended that you do not install the refrigerator near a heat source, such as an oven or radiator.



Water valve



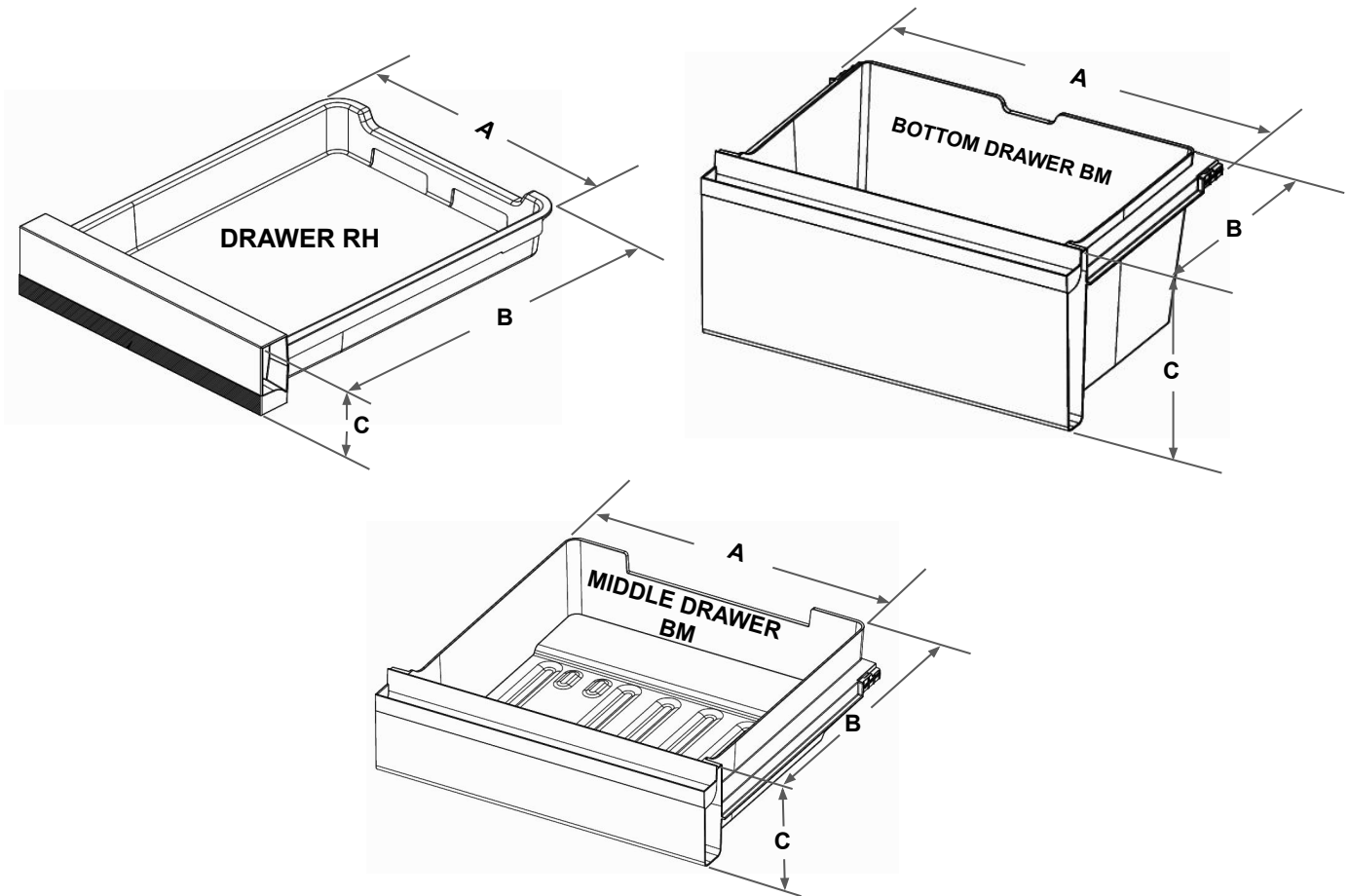
**Electrical:** A 115-volt, 60-Hz, AC-only, 15- or 20-amp fused, grounded electrical supply is required. It is recommended that a separate circuit serving only your refrigerator be provided. Use an outlet that cannot be turned off by a switch. Do not use an extension cord.

**NOTE:** Before performing any type of installation, cleaning, or removing a light bulb, turn the control (Thermostat, Refrigerator or Freezer Control depending on the model) to OFF and then disconnect the refrigerator from the electrical source. When you are finished, reconnect the refrigerator to the electrical source and reset the control (Thermostat, Refrigerator or Freezer Control depending on the model) to the desired setting. See "Using the Controls."

**Water:** A cold water supply with water pressure between 30 and 120 psi (207 and 827 kPa) is required to operate ice maker and water dispenser. If you have questions about your water pressure, call a licensed, qualified plumber.

**IMPORTANT:** The pressure of the water coming out of a reverse osmosis system going to the water inlet valve of the refrigerator needs to be between 30 and 120 psi (207 and 827 kPa). Reverse Osmosis Water Supply: If a reverse osmosis water filtration system is connected to your cold water supply, the water pressure to the reverse osmosis system needs to be a minimum of 40 to 60 psi (276 to 414 kPa)

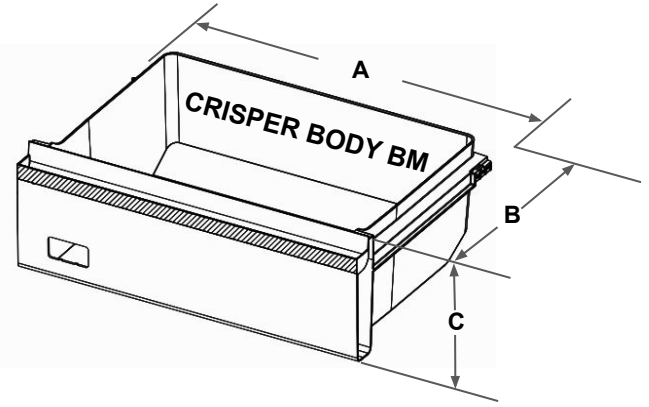
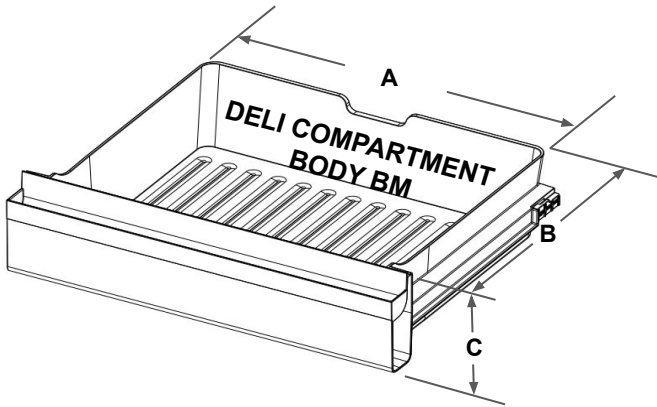
### Product dimension BM FREEZER Compartments



#### All BM Models

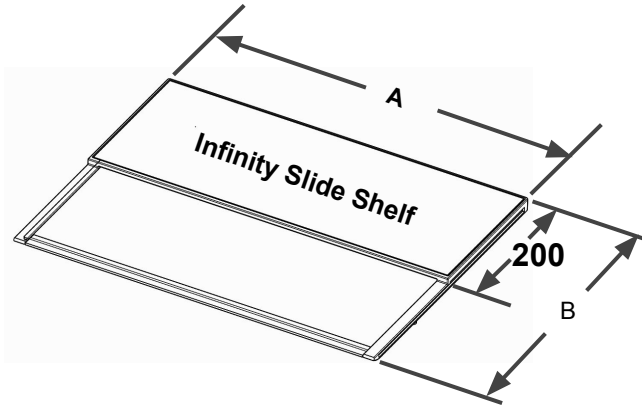
Refrigerator Compartment Features			
Description	Width A mm (in)	Depth B mm (in)	Height C mm (in)
FREEZER DRAWER RH	272.5 (10 3/4)	350.1 (13 13/16)	76.0 (3)
FREEZER BOTTOM DRAWER BM	461.3 (18 3/16)	330.8 (13)	228.7 (9)
FREEZER MIDDLE DRAWER BM	462.4 (18 3/16)	430.21 (16 15/16)	128.7 (5 1/16)

### Product dimension Bottom Mount FRIDGE Compartments



#### All BM Models

Refrigerator Compartment Features			
Description	Width A mm (in)	Depth B mm (in)	Height C mm (in)
DELI COMPARTMENT BODY BM	420 (16 9/16)	340.7 (13 7/16)	107.0 (4 3/16)
CRISPER BODY BM	506.8 (19 15/16)	350.68 (13 13/16)	180.9 (7 1/8)



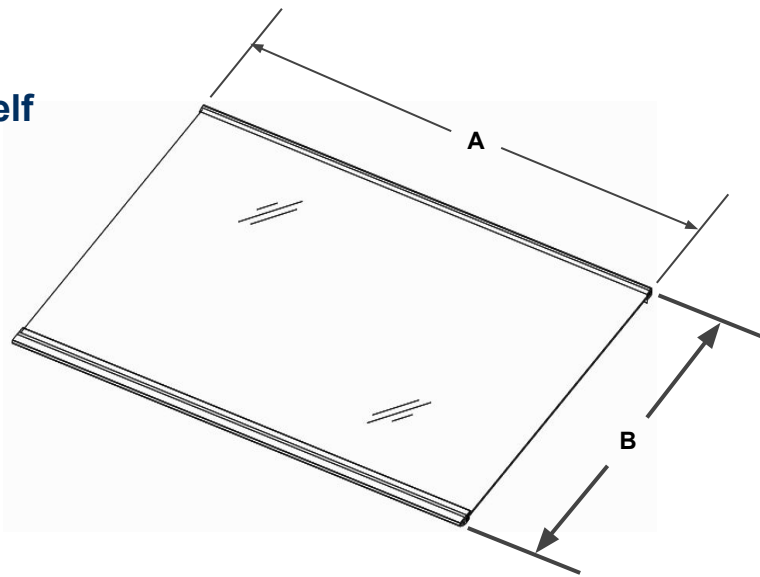
### Models

WRB543CMJV, WRB543CMJZ

### Refrigerator Compartment Features

Description	Width A mm (in)	Depth B mm (in)	Height C mm (in)
<b>Infinity Slide Shelf</b>	<b>513.6 (20 1/4)</b>	<b>382.8 (15 1/16)</b>	

**Glass Shelf**



**WRB533CZJB, WRB533CZJW, WRB533CZJZ, WRB543CMJV, WRB543CMJZ**

**Models**

**Refrigerator Compartment Features**

Description	Width mm (in) A	Depth mm (in) B	Height mm (in) C
REFRIGERATOR GLASS SHELF CRISPER BM	514 (20 1/4)	321.4 (12 5/8)	N/A

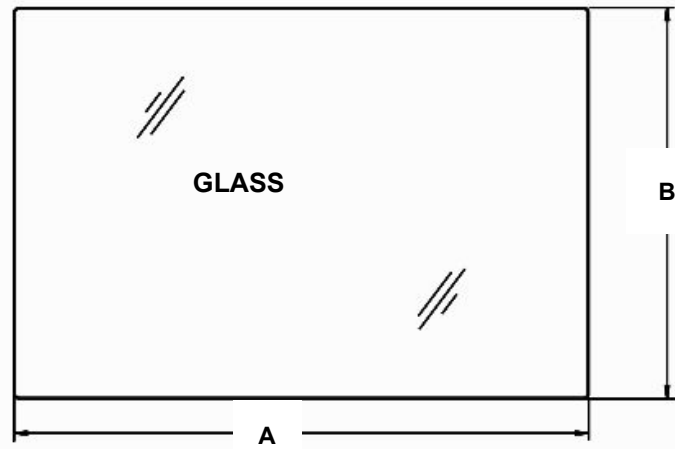
**WRB533CZJB, WRB533CZJW, WRB533CZJZ, WRB543CMJV, WRB543CMJZ**

**Models**

**Refrigerator Compartment Features**

Description	Width mm (in) A	Depth mm (in) B	Height mm (in) C
REFRIGERATOR GLASS SHELF STANDARD	514 (20 1/4)	382.49 (15 1/16)	N/A

### Glass Shelf



### Models

WRB533CZJB, WRB533CZJW, WRB533CZJZ, WRB543CMJV, WRB543CMJZ

### Refrigerator Compartment Features

Description	Width A mm (in)	Depth B mm (in)	Height C mm (in)
GLASS SHELF BM	505.6 (19 7/8)	326.5 (12 7/8)	