

**FRENCH DOOR BOTTOM MOUNT REFRIGERATOR
PRODUCT GUIDE**

**GUIDE DU RÉFRIGÉRATEUR À PORTE À DOUBLE
BATTANT ET CONGÉLATEUR EN BAS**

Shelves, Bins and Drawers

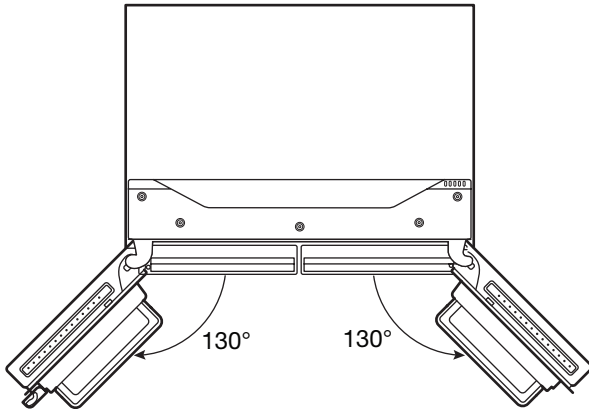
Important information to know about glass shelves and covers:

Do not clean glass shelves or covers with warm water when they are cold. Shelves and covers may break if exposed to sudden temperature changes or impact, such as bumping. Tempered glass is designed to shatter into many small, pebble-size pieces. This is normal. Glass shelves and covers are heavy. Use both hands when removing them to avoid dropping.

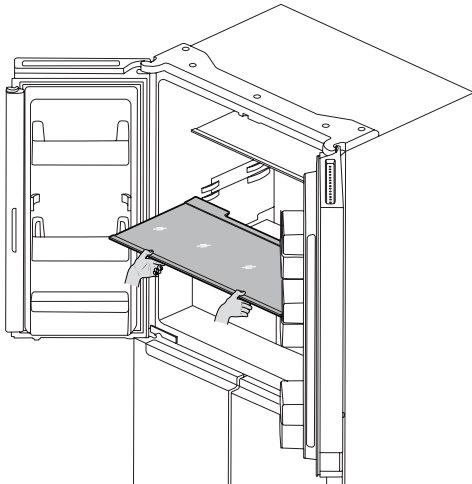
Shelf Height Adjustment and Shelves and Shelf Frames

Shelf height can be adjusted by changing its location from bottom support to upper support and vice versa.

- Open the right side door and left side door to its full opening.



- Take shelf out of refrigerator and place it to desired mounting position.



- Ensure shelf is properly seated on the shelf mounts.

The shelves in your refrigerator are adjustable to meet your individual storage needs.

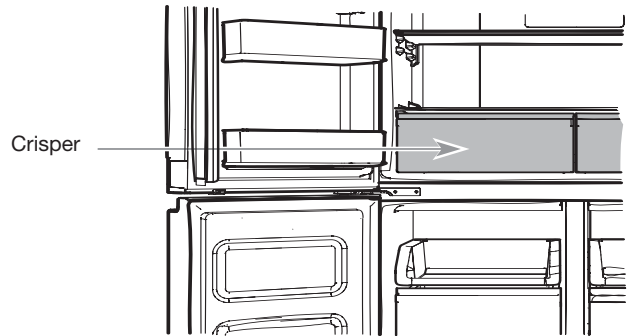
Storing similar food items together in your refrigerator and adjusting the shelves to fit different heights of items will make finding the exact item you want easier. It will also reduce the amount of time the refrigerator door is open and save energy.

To remove and replace shelves:

1. Open the right side door and left side door to its full opening.

2. Remove middle shelf or top shelf by lifting it up and out of shelf supports. Then pull the shelf forward and tilt down to a vertical position. Turn shelf at an angle and pull out of the refrigerator.
3. Remove the bottom shelf by lifting it up and out of the shelf supports. Then pull the shelf forward and tilt up to a vertical position. Turn the shelf at an angle and pull out of refrigerator.
4. Replace middle and top shelves by putting shelf in the refrigerator at an angle with shelf front down. Lift front of the shelf up and slide in until the rear of shelf drops into shelf supports. Lower the front of shelf and make sure that the shelf is in position.
5. Replace bottom shelf by putting shelf in refrigerator at an angle with shelf up. Lift front of shelf down and slide in until rear shelf drops into the shelf supports. Lower front of the shelf and make sure that shelf is in position.

Crispers

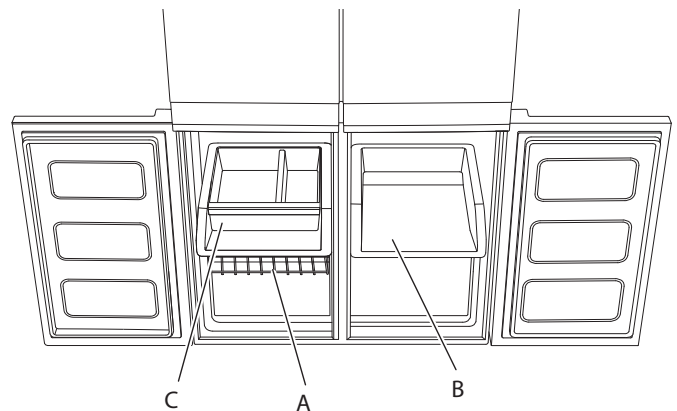


To remove and replace the Crispers:

1. Open the right side door and left side door to its full opening.
2. Grasp handle of the Crisper and slide Crisper straight out to the stop. Lift the Crisper off the bottom guide.
3. Replace/putting back the Crisper by placing it on bottom Crisper guide and pushing it past the Crisper stop into position.

Ice Bin

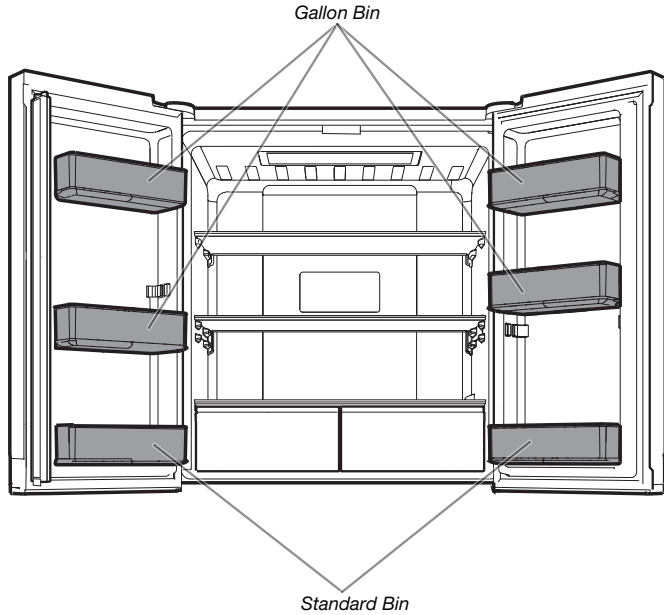
Ice storage for second ice maker.



- A. Full width removable rack
- B. Third Tier
- C. Ice Bin

Refrigerator Bins

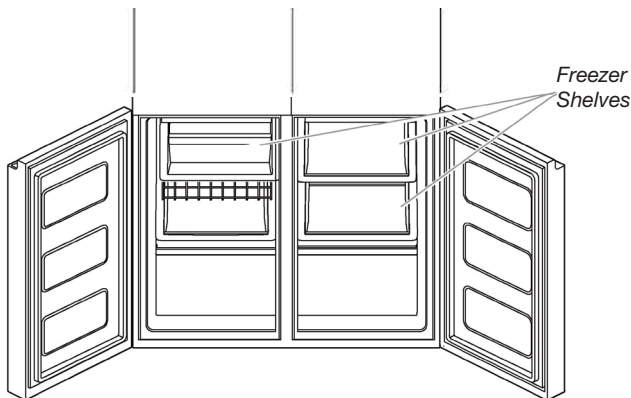
The bin on your refrigerator door are adjustable to meet your individual storage needs.



- The center bin position can be adjusted in two fixed points. To remove the bin pull it up by applying force on both bottom sides where the bin is engaged to the door lug. Install it in the other position by pressing it down until the door lug is fully engaged to the bin.
- Free up shelf space with four gallon door bins that fit items like gallon milk.

Freezer Storage Compartments

Pullout Freezer Shelves and Drawers

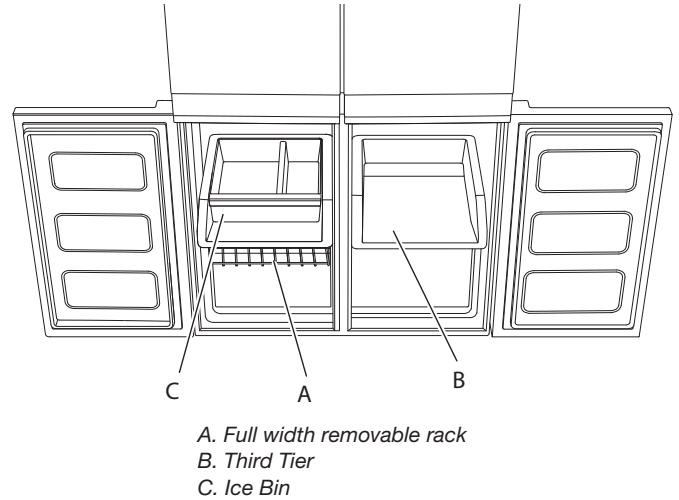


Easily store large or small items in the pull out freezer tray shelves

NOTE: To open the trays to it's full extend please refer to the space required at the refrigerator side to open the doors at the required minimum angle. Find detailed information in the "Installation Instructions".

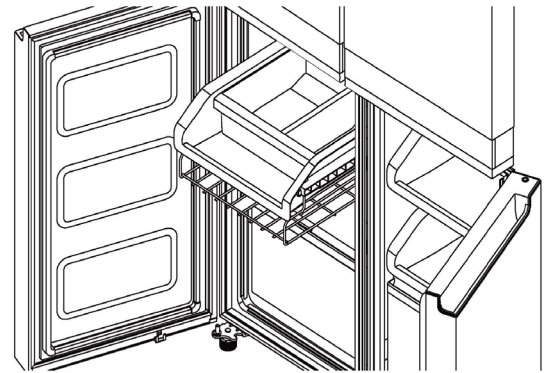
Full width removable rack

The Full width removable rack is located in the freezer compartment below the ice bin tray.

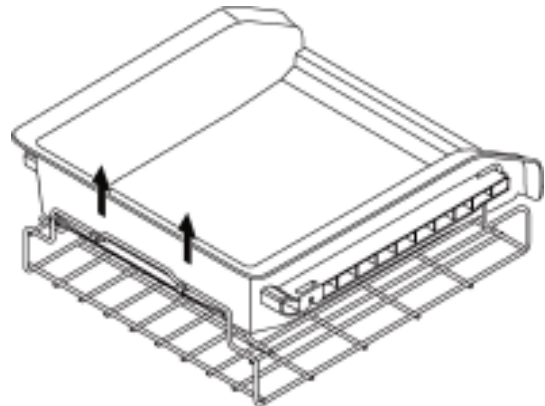


To remove the full width removable rack:

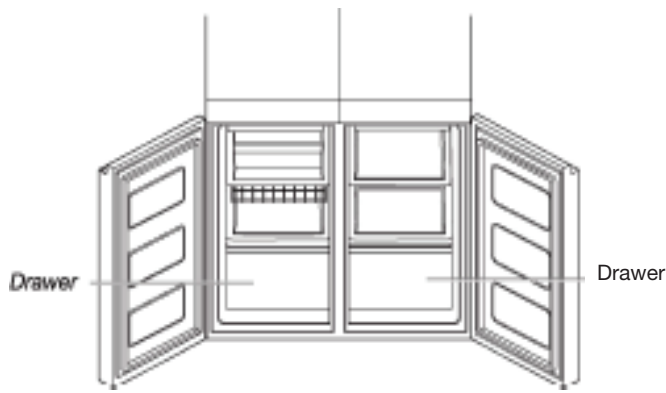
- Remove the content of the ice bin and from the full width removable track.
- Remove the ice bin from the freezer tray.
- Remove the freezer tray with bin from the freezer compartment pulling it out.



- On the back of the tray, pull the wire up and backwards to disengage the rack from the tray in the area shown in the picture below.



Freezer Drawers



NOTE: To open the drawers to its full extend please refer to the space required at the refrigerator side to open the doors at the required minimum angle. Find detailed information in the "Installation Instructions".

Fast Freeze compartment

- Use these drawers and shelves to freeze a bigger amount of fresh or cooked food (in the best or in the fastest way).
- Fast Freeze option allows you to store all your frozen food safely and transparently.

NOTE: Freezer temperature might be cooled down to be same as Multi Temperature Freeze Compartment temperature, when Freezer set to warmer than Flexible Freezer compartment.

Multi Temperature Compartment

Multi Temperature Freeze Compartment allows you to select one of three freezer temperature levels: -7°C , -12°C , -18°C and -20°C to provide the best storing conditions for different types of food.

For maximum freezer capacity, you may remove the freezer drawer to expose the freezer shelf.

To remove the upper drawer:

1. Grasp handle of the drawer and slide drawer straight out to the stop. Lift drawer off the bottom guide.
2. Replace/putting back drawer by placing it on bottom drawer guide and pushing it past drawer stop into position.