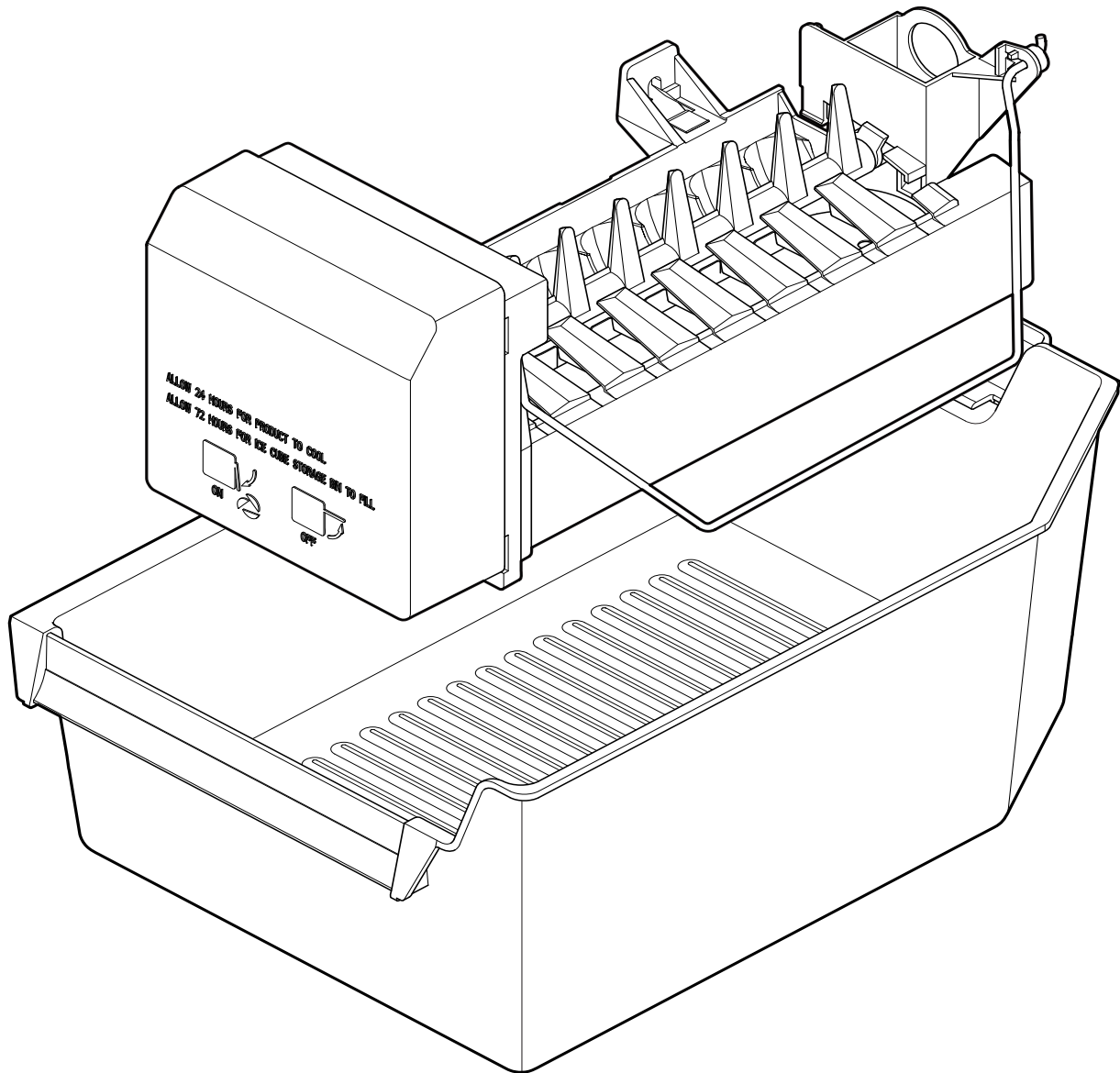


Installation

G U I D E



MODULAR ICE MAKER KIT
MACHINE À GLAÇONS MODULAIRE
JUEGO DE LA FABRICA DE HIELO MODULAR

Table of Contents

	Page		Page
Requesting Assistance or Service.....	2	Mounting the water valve.....	12
Important Information	3	Connecting the water valve tubing	13
Before you Begin.....	4	Mounting the ice maker	14
Tools	4	Connecting the Water Supply	16
Installation notes.....	4	Final Installation	18
Components	5	Installing the access cover and forming the copper tubing.....	18
Component illustrations	5	Connecting the power/ leveling the unit.....	19
Installing the Ice Maker	6	Starting the Ice Maker	20
Making preparations	6	Troubleshooting	21
Side-by-side models	7	Operational notes	21
Top/upright freezer models	9	Troubleshooting chart.....	21
Installing the tubing clips	11		

Table des matières

	Page		Page
Demande d'assistance ou de dépannage.....	2	Montage de l'électrovanne d'admission d'eau.....	31
Informations importantes	22	Raccordement du tube de l'électrovanne d'admission d'eau.....	32
Avant de commencer	23	Montage de la machine à glaçons.....	33
Outils	23	Raccordement à la conduite d'eau.....	35
Remarques concernant l'installation.....	23	Installation finale	37
Composants	24	Installation du couvercle de l'ouverture d'accès et formage du tube de cuivre malléable	37
Illustrations des composants	24	Rétablissement de l'alimentation électrique/réglage de l'aplomb de l'appareil.....	38
Installation de la machine à glaçons	25	Mise en marche de la machine à glaçons.....	39
Opérations préparatoires.....	25	Dépannage	40
Modèle à compartiments juxtaposés	26	Notes sur le fonctionnement de l'appareil	40
Modèles à congélateur en haut/vertical.....	28	Tableau de diagnostic/dépannage.....	40
Installation des agrafes de retenue du tube de cuivre malléable.....	30		

Tabla de contenidos

	Página		Página
Para solicitar ayuda o servicio técnico	2	Para montar la válvula de agua.....	49
Información importante	41	Conexión de la tubería de la válvula de agua	51
Antes de comenzar	42	Montaje de la fábrica de hielo.....	52
Herramientas.....	42	Conexión del suministro de agua	54
Notas sobre la instalación	42	Instalación final	56
Componentes	43	Cómo instalar la cubierta de acceso y dar forma a la tubería de cobre.....	56
Ilustraciones de los componentes	43	Conexión del suministro eléctrico/nivelación de la unidad.....	57
Instalación de la fábrica de hielo	44	Puesta en marcha de la fábrica de hielo.....	58
Pasos de preparación.....	44	Solución de problemas	59
Modelos de dos puertas	45	Notas sobre el funcionamiento	59
Modelos de congelador superior/vertical.....	47	Cuadro de solución de problemas.....	59
Instalación de los clips de la tubería.....	49		

Requesting Assistance or Service

If you need assistance contact your dealer, or call the Whirlpool Customer eXperience Center toll-free, **1-800-253-1301**, 24 hours a day.

Demande d'assistance ou de dépannage

Pour tout besoin d'assistance, contacter le revendeur ou téléphoner sans frais au Centre d'eXperience à la clientèle de Whirlpool au **1-800-253-1301** (accessible 24 heures sur 24).

Para solicitar ayuda o servicio técnico

Si necesita ayuda, comuníquese con el distribuidor o llame sin cargo al Centro para la eXperiencia del cliente de Whirlpool, al **1-800-253-1301**, las 24 horas del día.

Important Information

The following information is used throughout this installation Guide. Read it carefully so you are familiar with it.

Your safety and the safety of others are very important.

We have provided many important safety messages in this manual and on your appliance. Always read and obey all safety messages.



This is the safety alert symbol.

This symbol alerts you to potential hazards that can kill or hurt you and others.

All safety messages will follow the safety alert symbol and either the word "DANGER" or "WARNING."

These words mean:

⚠ DANGER

You can be killed or seriously injured if you don't immediately follow instructions.

⚠ WARNING

You can be killed or seriously injured if you don't follow instructions.

All safety messages will tell you what the potential hazard is, tell you how to reduce the chance of injury, and tell you what can happen if the instructions are not followed.

- This Installation Guide gives you complete instructions on how to install the Ice Maker Kit in your refrigerator-freezer and connect a water line to it. Please read the guide and follow the instructions exactly as described. Also, make sure that you observe all of the "safety" instructions.
- **IMPORTANT:** A qualified service technician must install the water line and ice maker.
- Before you start to install your Ice Maker Kit, you will have to purchase a copper tubing kit that contains a "Regular Valve and Clamp Assembly" (for refrigerators with an automatic ice maker, or self-filling trays). The kit contains all of the hardware necessary to connect your ice maker to the water supply. You can purchase one at most hardware or plumbing supply stores.

NOTE: Do not use piercing-type, or 3/16" shut-off valves. They reduce the flow of water to the ice maker, and are easily clogged. Do not use polyethylene tubing to connect the ice maker to the water line. Use only 1/4" (O.D.) copper tubing.

**CUSTOMER INSTALLATION IS NOT
WARRANTED BY THE REFRIGERATOR
OR ICE MAKER MANUFACTURER.**

Before You Begin

Tools

Gather required tools and parts before starting installation. Read and follow the instructions provided with any tools listed here.

1. Regular screwdriver
2. Phillips screwdriver
3. 7/16" and 1/2" open-end wrenches (or an adjustable wrench)
4. Pliers
5. 1/4" nut driver
6. Small hand level (optional)
7. Ruler

Installation notes

1. Follow the instructions thoroughly. Read through the entire step so that you understand it before you perform it.
2. The illustrations in this Installation Guide are meant to clarify the installation steps you need to perform. For each set of steps shown, refer to the diagram immediately beside or below the text for clarification. Some illustrations also contain "DETAILS." DETAILS are contained in bubbles alongside the larger illustration. A DETAIL shows a close-up illustration of a certain portion of a diagram or an illustration of a specific step you are to perform. DETAILS are labeled A, B, or C and are clearly referenced in each step.
3. When you are instructed to install a part, position the part as shown in the illustration.

Components

Remove the contents from the shipping carton and set them on a table where they can be easily identified and located. Check all of the components in the kit against the following list to help you become familiar with them. When you identify a component, place a check mark (✓) after it. The KEY numbers correspond to the "Component Illustrations."

IMPORTANT: When you remove the water valve and flexible tubing from the styrofoam packing insert, do not remove the tubing from the valve. It has been factory-installed and leak-tested. Do not disturb the compression nut that connects the tubing to the valve, or the valve may leak after you connect it to the water supply.

Do not discard any of the packing material until you account for all of the components.

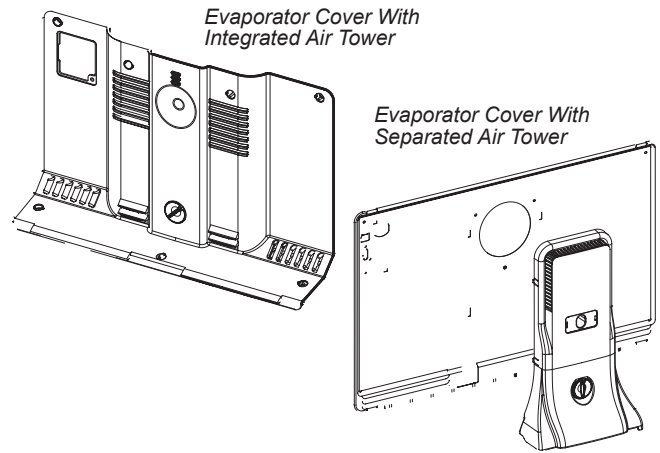
KEY	QTY	DESCRIPTION
1	1	Ice Maker
2	1	Ice bucket with extension
3	1	Water valve with tubing
4	1	Fill tube
5	1	Gasket */** only
6	1	71.6 mm (short) extension tube **
7	1	152.1 mm (long) extension tube *
8	2	Ice maker clips*
9	2	Tubing clips
10	1	Metal water tube insert
11	1	Water valve tubing clamp
12	5	1/2" hex-head sheet-metal screws
13	4	1/2" hex-head machine screws
14	2	3/4" hex-head sheet-metal screws
15	1	63.5 mm extension tube ***/****
16	1	85.7 mm extension tube
17	1	123 mm extension tube
18	1	Condenser grommet**
19	2	Jumper harness
20	1	Water valve bracket*
21	1	Strain relief

* For installation in Side-By-Side Models only.

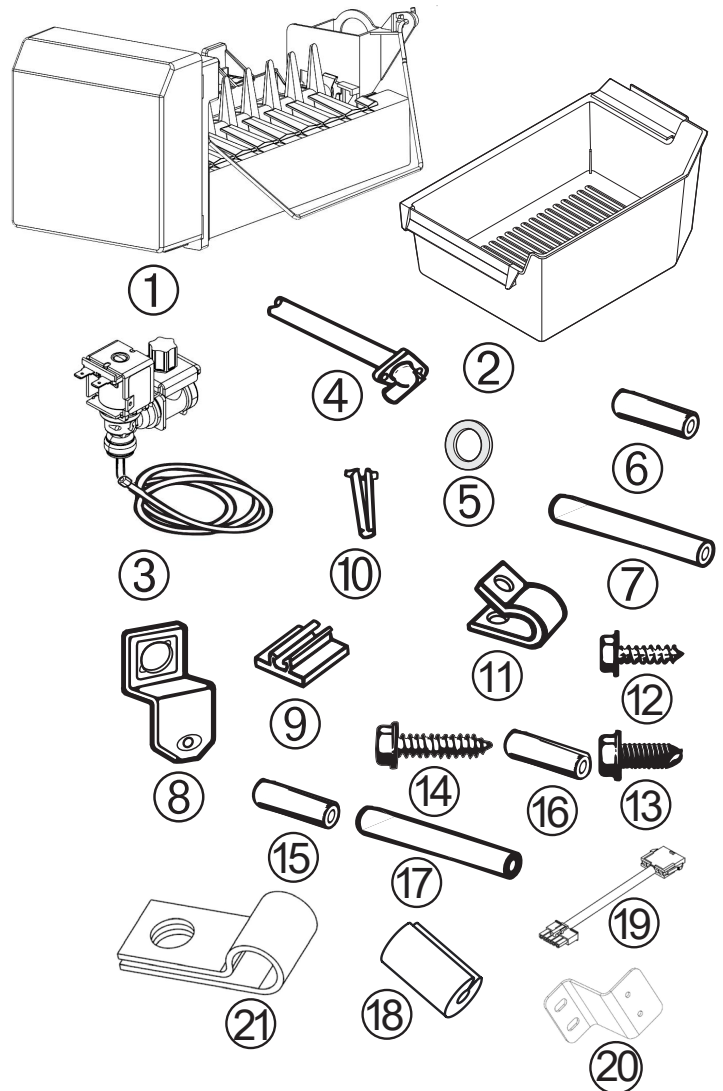
** For installation in 14 to 18 Cubic Foot Top Freezer Models.

*** For installation In 21 cu. ft Top Freezer Models.

****For installation in 14 to 16 cu. ft Top Freezer Models. (evap cover with integrated air tower).



Component Illustrations



Installing the Ice Maker

Making preparations

⚠ WARNING

Excessive Weight Hazard

Use two or more people to move and install refrigerator.

Failure to do so can result in back or other injury.

Refer to the illustration below for the following steps.

1. Pull the refrigerator away from the wall so that you can easily access the rear panel.

⚠ WARNING



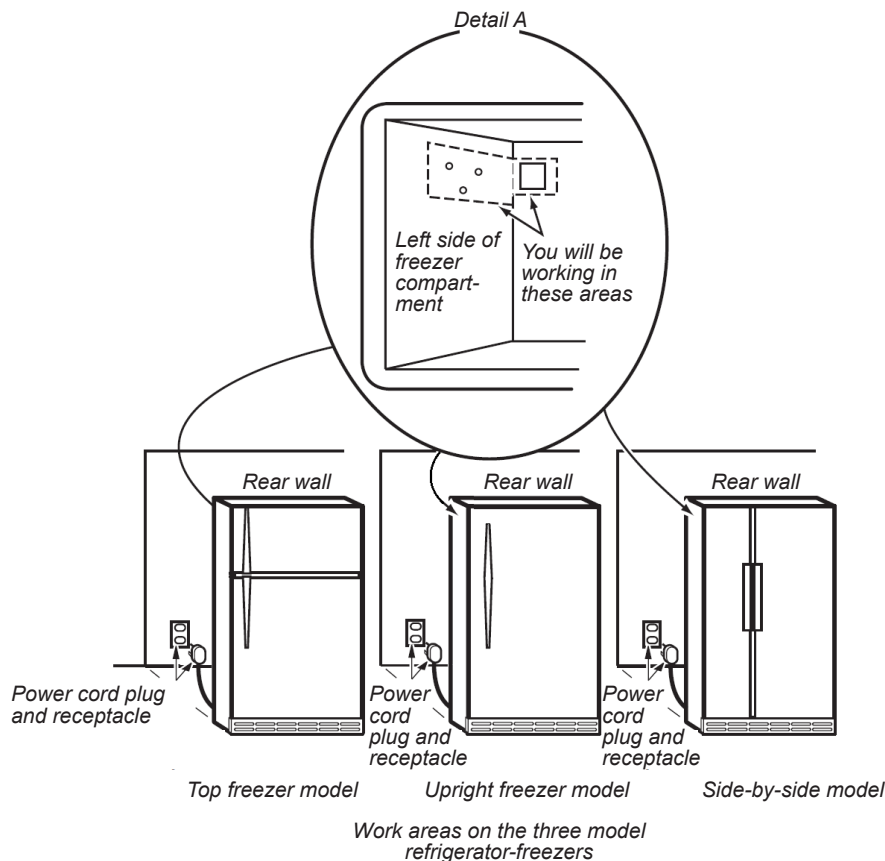
Electrical Shock Hazard

Disconnect power before installing ice maker.

Failure to do so can result in death or electrical shock.

2. Unplug Refrigerator or disconnect power.
IMPORTANT: If you have a side-by-side model refrigerator-freezer, be sure when you open the freezer door to work inside that you do not force the door against the stop at the bottom of the door. If you bend the stop, the door will not close properly.
3. On appliances with a top freezer, open the freezer door and remove all of the food items from inside the freezer compartment.
For side-by-side units, you should only have to remove food items from the top half of the freezer section. This should give you enough room to access the areas to install the ice maker.
4. On top-mount models without a full-width freezer shelf, remove the ice tray shelf. Place the shelf aside, as you will use it later to support the ice bucket. If you have a side-by-side model refrigerator, proceed to "Side-by-side models" on page 7. If you have a refrigerator with a top freezer, or an upright freezer proceed to "Top/Upright freezer models" on page 9.

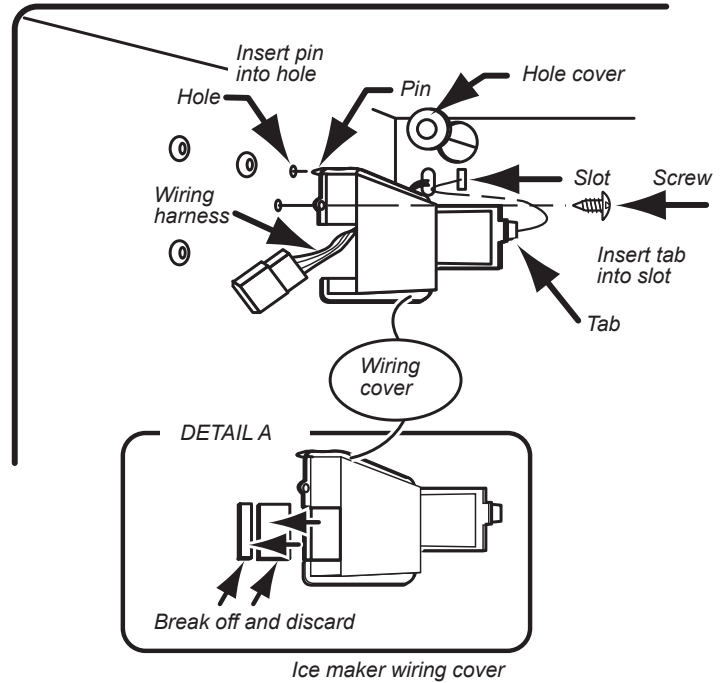
NOTE: The work area for all three model refrigerator-freezers is shown in DETAIL A below.



Side-by-side models

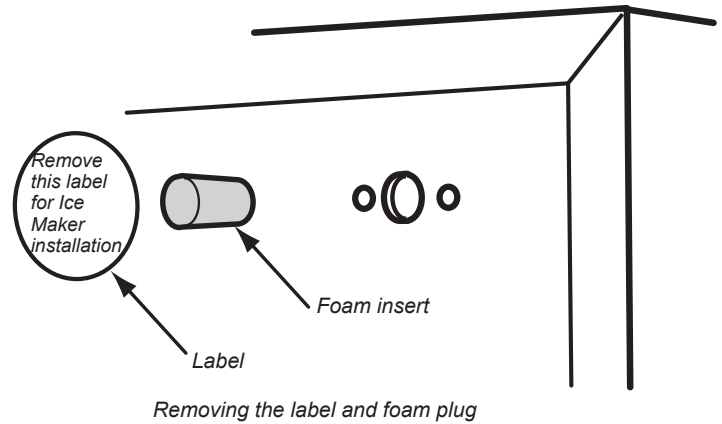
Refer to the side diagram for the following steps. You will be working inside the freezer compartment.

1. Remove the screw from the ice maker wiring cover and remove the cover.
2. Refer to DETAIL A, and with a pair of pliers, break away the tabs from the wiring cover and discard them.
3. Insert the blade of a small screwdriver under the edge of the round hole plug for the fill tube, (located at the back of the freezer liner), and pry it out. You can discard the plug.



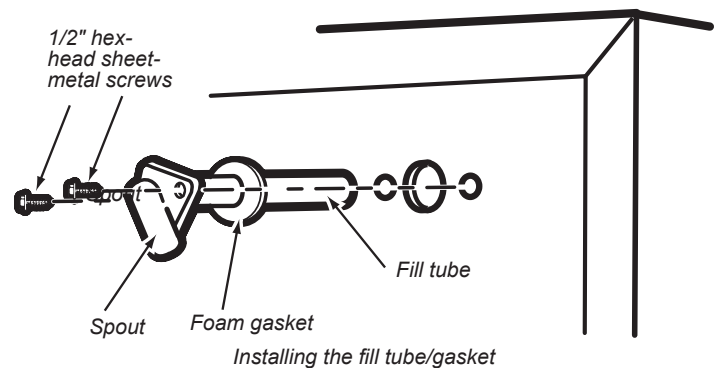
Refer to the side diagram for the following steps. You will be working on the outside at the rear of the cabinet.

1. In the upper right corner of the cabinet, peel off the label that is over the fill tube hole.
2. Pull the foam insert out of the fill tube hole and discard it.



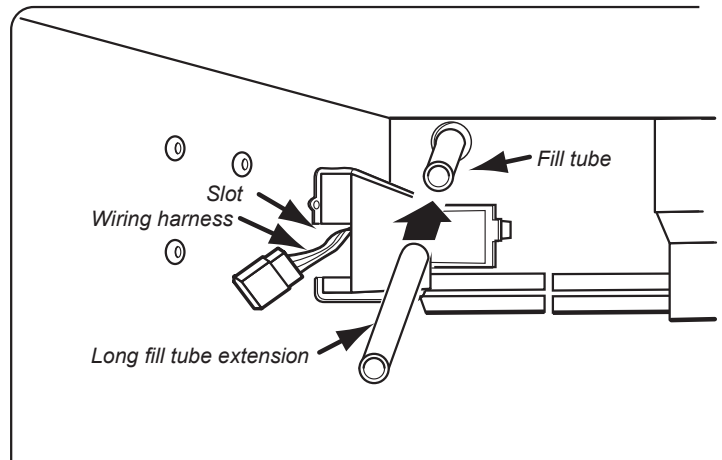
Refer to the side diagram for the following steps.

1. Locate the fill tube and the round foam gasket from the ice maker kit (the gasket may already be installed on the fill tube). If not already done, slide the gasket over the end of the fill tube.
2. Insert the fill tube through the hole in the rear of the refrigerator with the spout facing down, and secure it with two 1/2" hex-head sheet metal screws.



Refer to the side diagram for the following step. You will be working inside the freezer compartment.

1. Install the long plastic extension by sliding it over the fill tube as far as it will go.

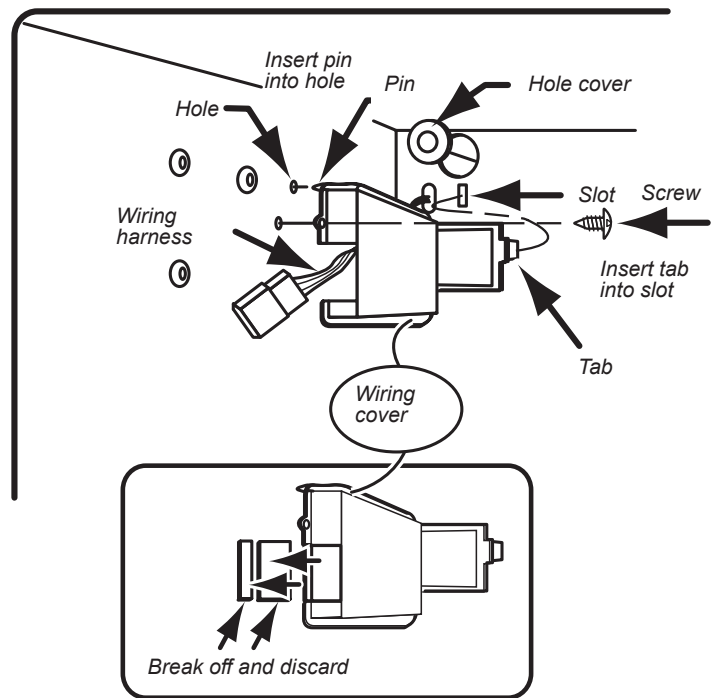


Installing the long fill tube extension

Refer back to the side diagram for the following step.

2. Position the wiring harness so that it is through the slot in the wiring cover. Insert the tab at the back of the wiring cover into the freezer liner slot. Press the pin on the side of the wiring cover into the hole in the side of the freezer liner so it locks into place. Secure the wiring cover with the screw you removed earlier.

Proceed to "Installing the tubing clips" on page 11.

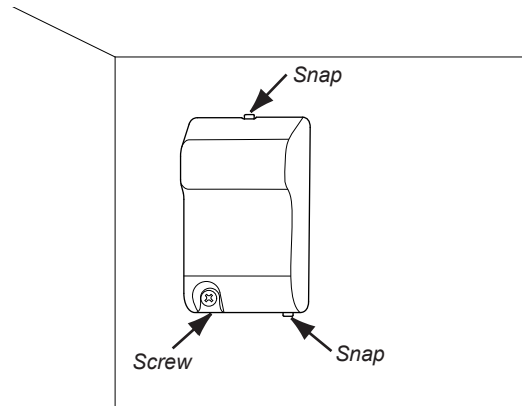


Ice maker wiring cover

Top/Upright freezer models

Refer to the side diagrams for the following 2 steps. You will be working inside the freezer compartment.

- 1. On models with a raised wiring cover:**
Remove the screw from the ice maker wiring cover.
Squeeze top and bottom to loosen snaps.
Remove and discard ice maker wiring cover.

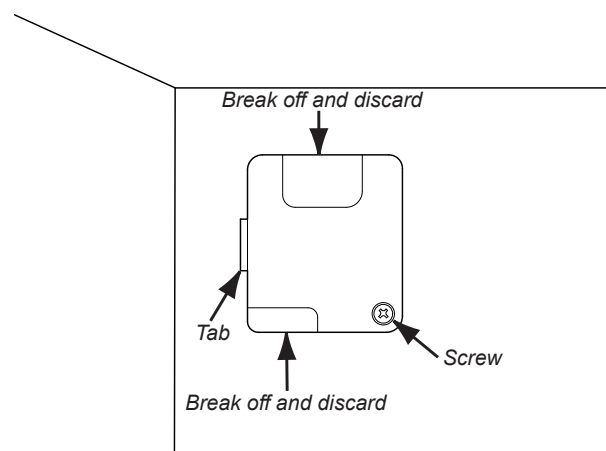


Removing the raised wiring cover

On models with a flat cover:

Remove the screw from the ice maker wiring cover.
Unhook the side tab from the edge of the back cover.
Remove ice maker wiring cover.
Look at the back side of the flat wiring cover and note the grooved lines. Use a pair of pliers and bend the areas inside the grooved lines back and forth until they break away from the wiring cover.

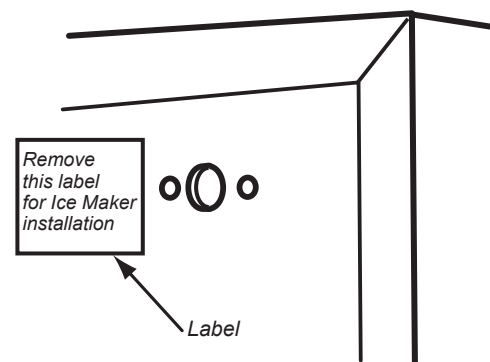
- 2.** Pull the ice maker harness out from behind the freezer's back cover as far as possible, and hang it over the edge of the cutout. Do not remove any other wiring from the cutout.



Removing the flat wiring cover

Refer to the side diagrams for the following step. You will be working on the back of the refrigerator cabinet.

- 1.** On the back of the cabinet, peel off the label that is over the fill tube hole.



Removing the label

Top/Upright freezer models (continued)

Refer to the side diagrams for the following steps.

1. Locate the fill tube and the round foam gasket from the ice maker kit (the gasket may already be installed on the fill tube). If not already done, slide the gasket over the end of the fill tube.

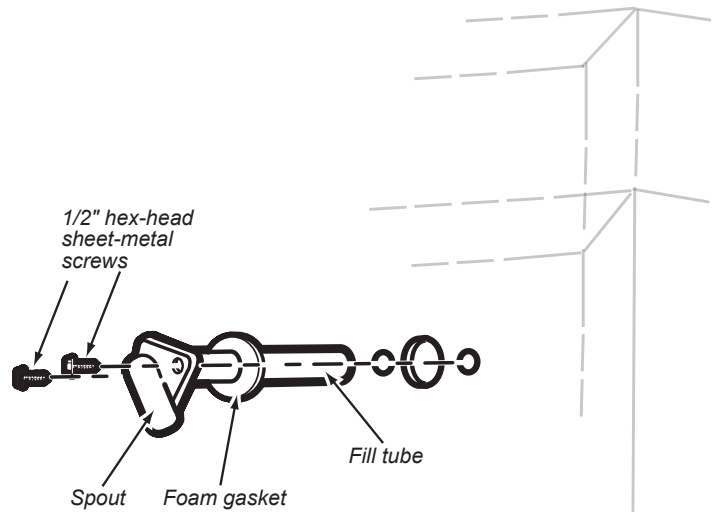
Insert the fill tube through the hole in the rear of the refrigerator with the spout facing down, and secure it with two 1/2" hex-head sheet metal screws.

Refer to the side diagrams for the following steps. You will be working inside the freezer compartment.

1. Slide the plastic fill tube extension (See components table on page 5) over the end of the fill tube as far as it will go (see DETAIL A).

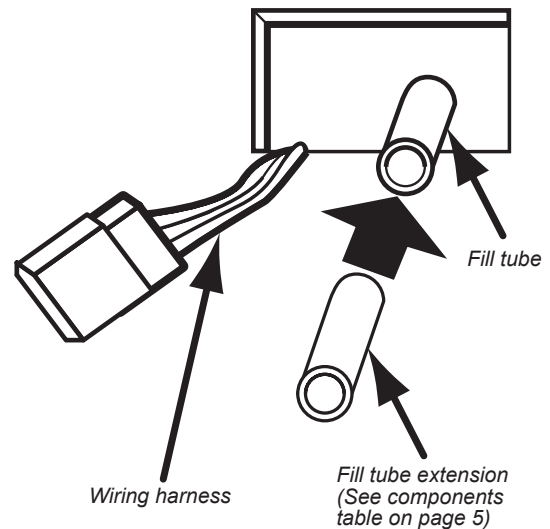
NOTE: The plastic fill tube extension is not required for models with open-top fill tube.

2. **Flat wiring cover:** Install the wiring cover over the fill tube with the wiring harness through the slot. Hook the tab in the side of the wiring cover into the slot in the back cover of the freezer, and secure the cover with the screw you removed earlier (see DETAIL B).



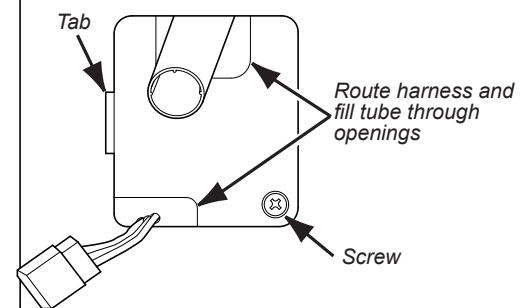
Installing the fill tube/gasket

DETAIL A



Installing the fill tube extension

DETAIL B

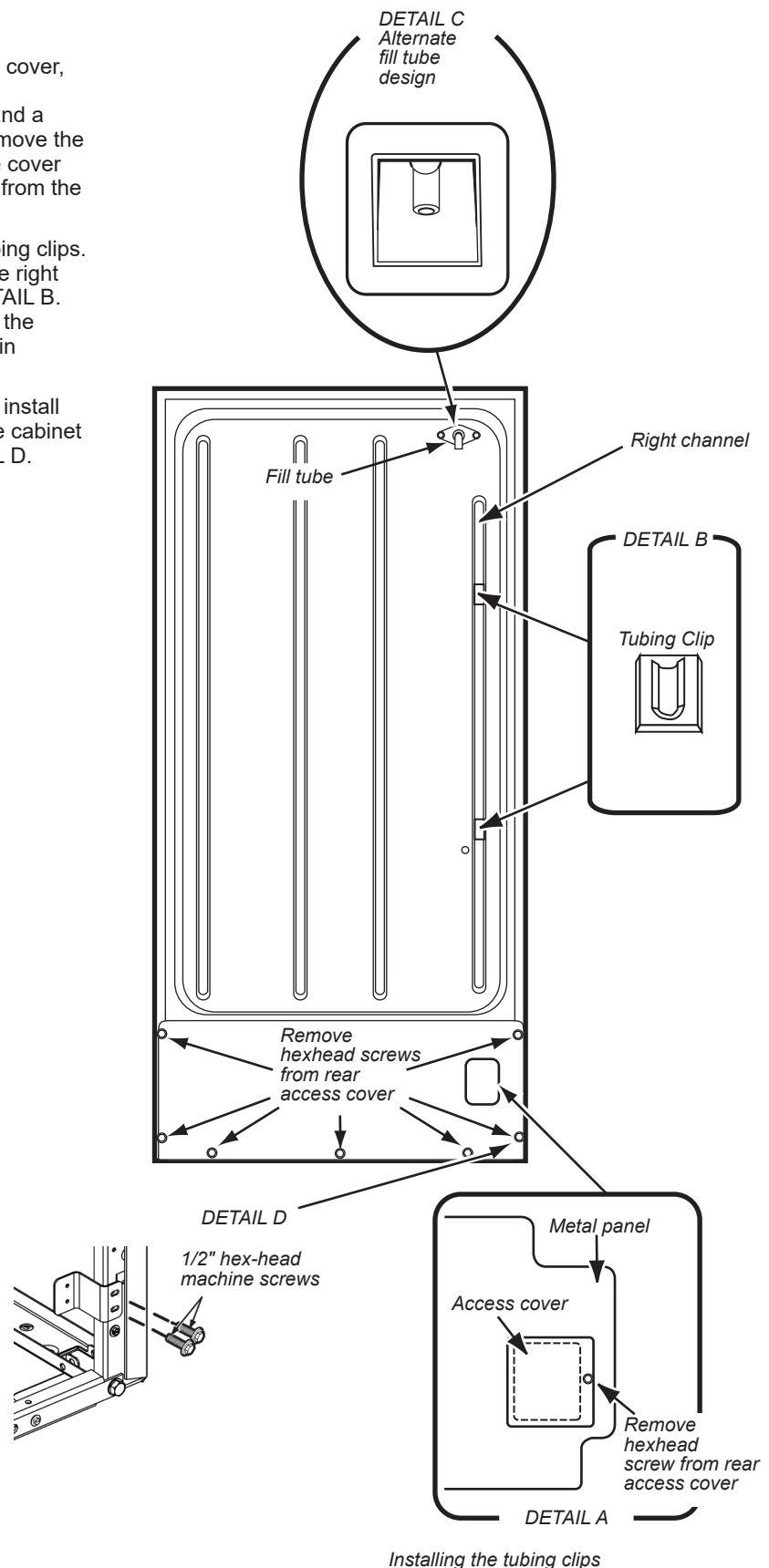


Reinstalling the flat cover

Installing the tubing clips

Refer to the side diagrams for the following steps.

1. Remove the hex-head screws from the rear access cover, then remove the cover and set it aside.
NOTE: If you have a later unit with a metal panel, and a separate, smaller access cover (see DETAIL A), remove the hex-head screw from the access cover. Discard the cover and its screw. Do not remove the hex-head screws from the larger rear access cover.
2. Peel the backing from the adhesive sides of the tubing clips. Press the clips against the back of the cabinet in the right channel at the approximate locations shown in DETAIL B. Center the clips between the fill tube and the top of the access opening. Alternate fill tube design is shown in DETAIL C.
3. For side by side models with a metal access cover, install the water valve bracket to the mounting holes in the cabinet frame using two 1/2" machine screws. See DETAIL D.



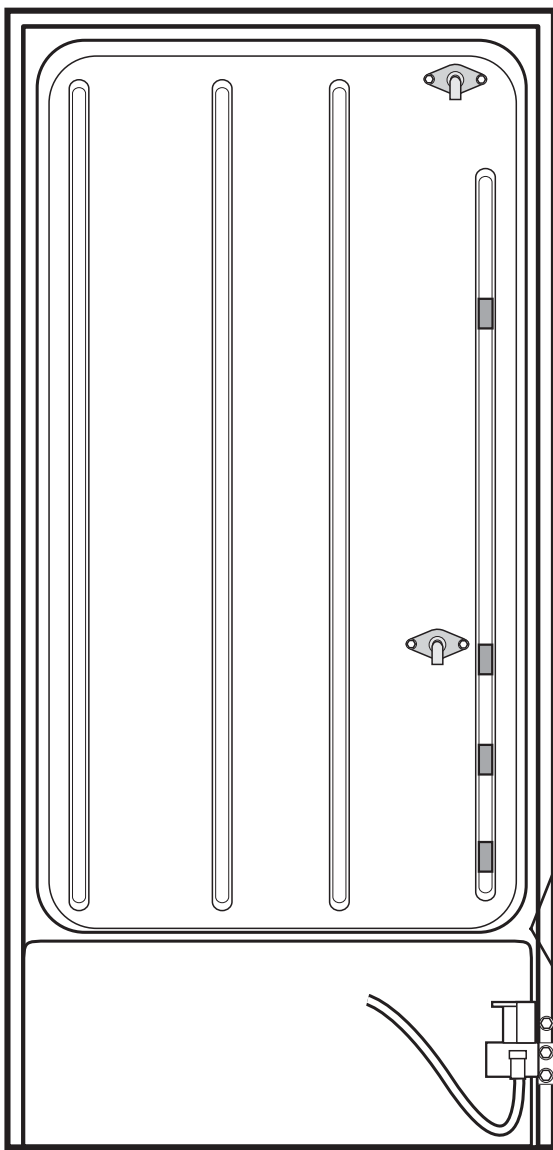
Mounting the water valve

Refer to the diagram below for the following steps.

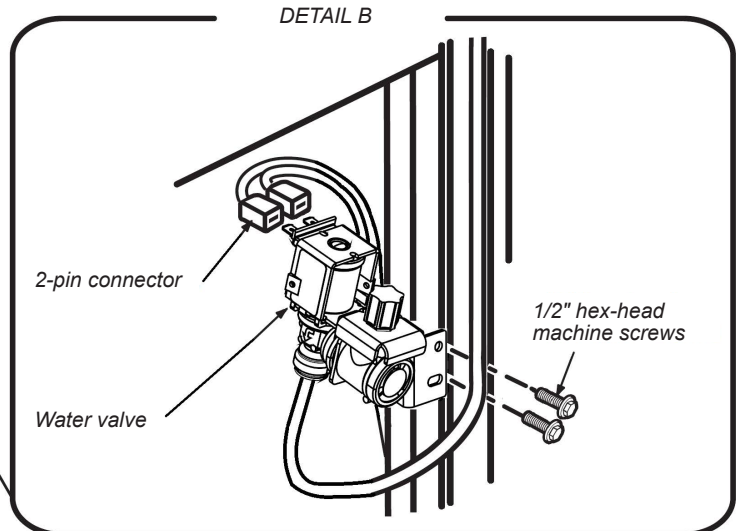
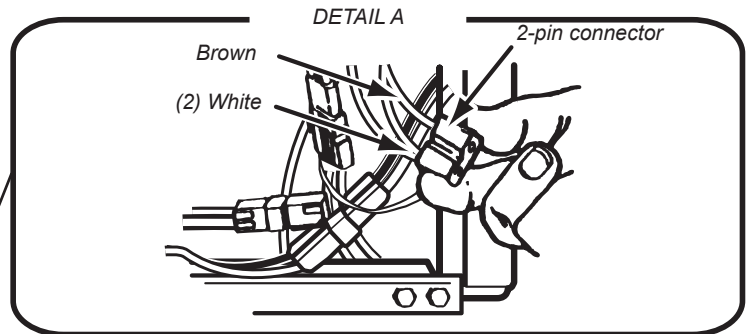
1. Locate the 2-pin water valve solenoid connector (with the brown and two white wires) that is taped to the main wiring harness at the lower right corner of the rear access (see DETAIL A).

2. Refer to DETAIL B and insert the 2-pin connector over the water valve solenoid terminals as far as possible (if the harness is not long enough, break the tape holding it to the main harness). You can position the connector with the wires at either terminal.
3. Refer to DETAIL B and mount the water valve to the mounting holes in the cabinet frame with two 1/2" hex-head machine screws. Make sure that you tighten these two screws securely.

NOTE: For side by side models with a metal access cover, the valve is mounted to the valve bracket previously installed instead of directly to the cabinet.



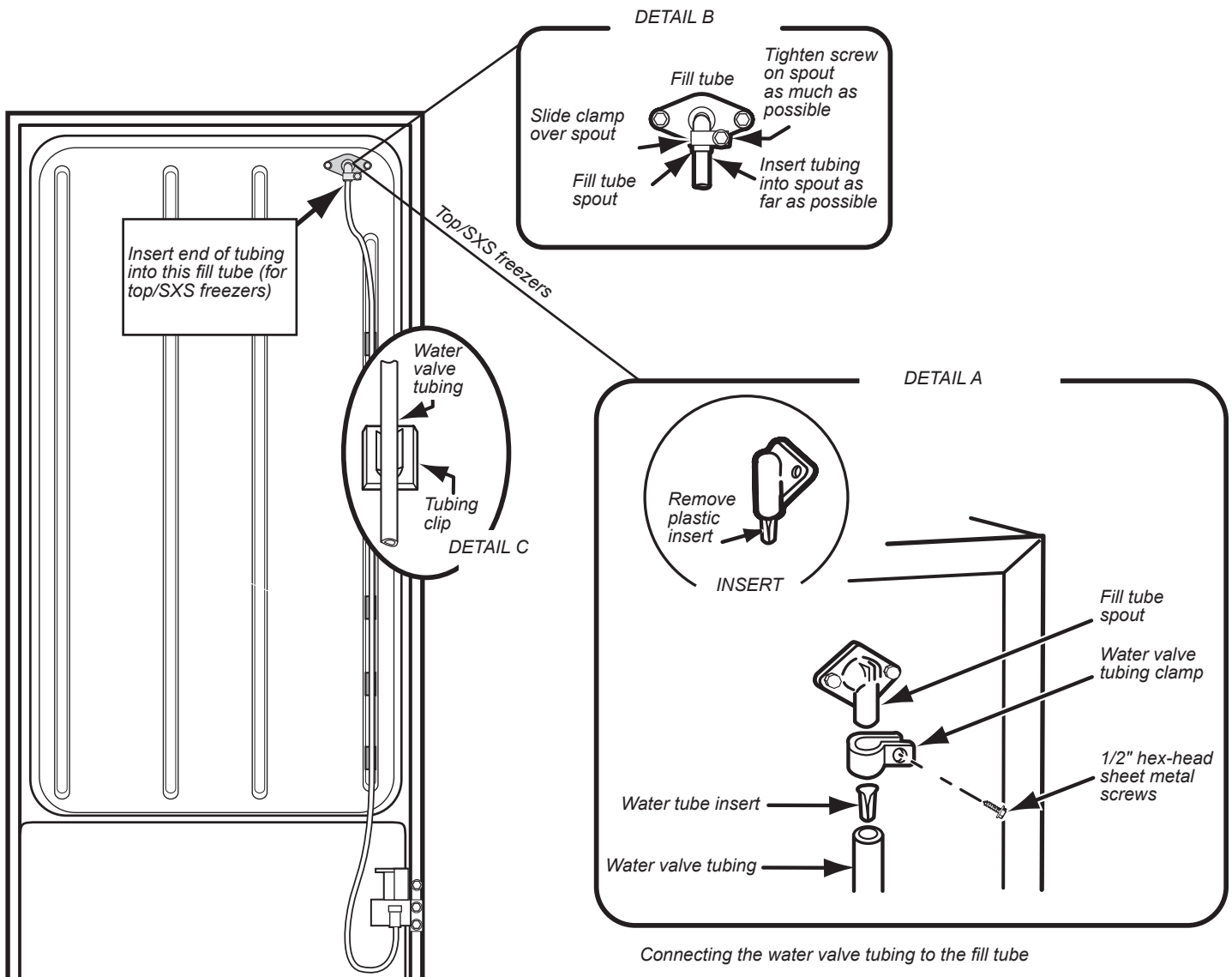
Mounting the water valve



Connecting the water valve tubing

Refer to the diagram below for the following steps.

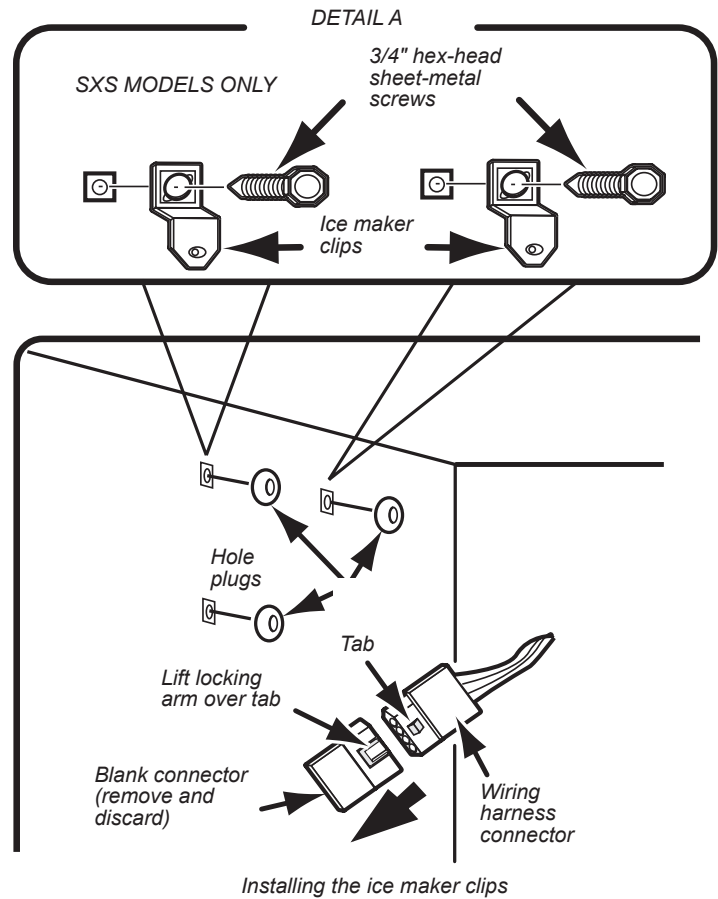
1. Refer to the inset in DETAIL A and pull the plastic insert out of the fill tube spout and discard it.
2. Locate the water valve tubing clamp (from the ice maker kit), and note that one of the flanges is made for a threaded screw and the other side has a round hole. Position this clamp with the round hole side facing up, and slide it over the end of the spout (see DETAILS A, B). Thread a 1/2" hex-head sheet metal screw into the clamp with your fingers as far as possible. You will tighten the screw later.
3. Refer to DETAIL A, and position the metal water tube insert as shown, then press it all the way into the water valve tubing.
4. Refer to DETAIL B, and slide the end of the tubing into the end of the fill tube spout as far as it will go (if the tubing does not reach, pull as much as necessary up through the clips), then tighten the tubing clamp screw as much as possible. Pull on the tubing to make sure that it is secure. If it slides out of the spout, push it back in, and tighten the clamp screw further until the tubing is secure.
5. Press the tubing into the two clips (see DETAIL C) you installed earlier on the back of the cabinet. You will connect the free end of the tubing later.
6. Pull any excess tubing near the fill tube down through the two clamps so it forms a straight line with a loop at the bottom of the water valve.



Mounting the ice maker

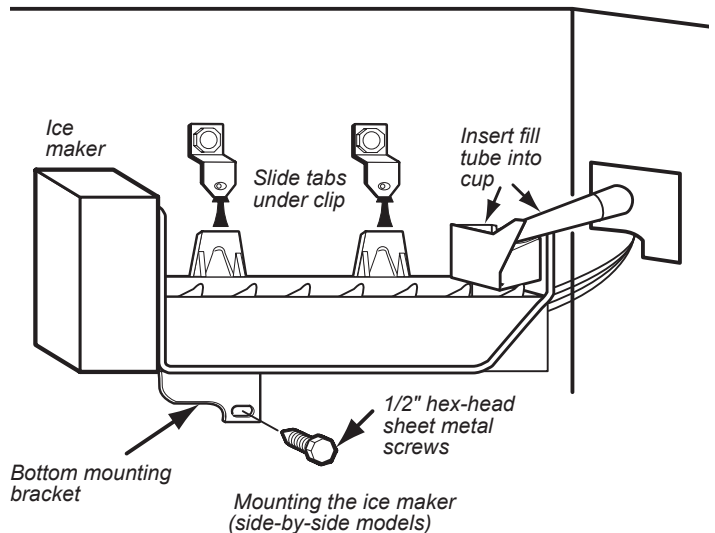
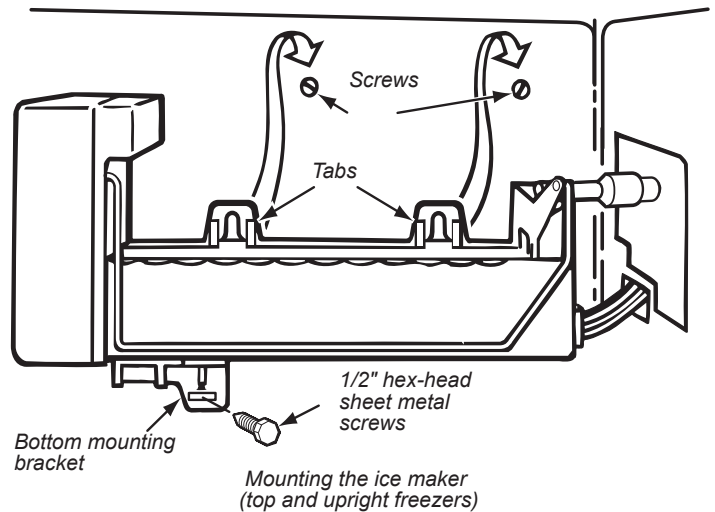
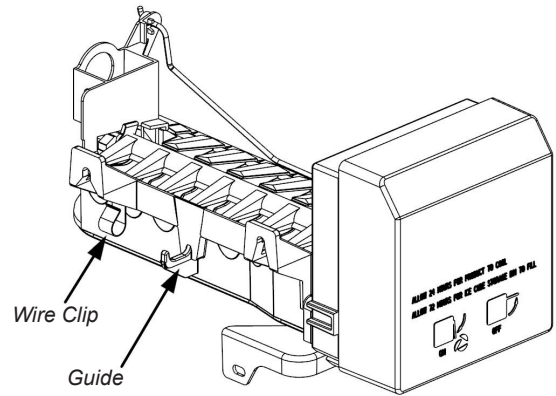
Refer to the side diagram for the following steps.

1. Remove and discard the blank connector from the wiring harness. To remove it, lift the locking arm on the side of the blank connector so it is over the tab of the wiring harness connector, and pull the blank connector off.
2. Insert the end of a small-bladed screwdriver under the edges of each of the three ice maker mounting hole plugs in the side of the freezer liner, and pry them out of their holes. You can discard the plugs.
3. For Top/Upright Freezers Only: Partially install two 3/4" hex-head sheet-metal screws into the two top mounting holes (shown in the diagram) of the freezer liner. You will hang the ice maker over these two screws later, so make sure that they protrude out far enough.
4. For Side-By-Side Models Only: Refer to DETAIL A and mount the two mounting clips (from the ice maker kit) to the top mounting holes of the freezer liner with two 3/4" hex-head sheet-metal screws. Make sure that both clips hang straight down and then tighten the screws.



Refer to the side diagram for the following steps.

1. Take the two jumper harnesses included in the kit and determine which one can connect to the freezer wiring harness. Discard the other jumper.
2. Connect the compatible jumper harness to the ice maker wiring harness. Route the wires over the guide and through the wire clip in the ice maker.
3. Position the ice maker inside the freezer compartment and connect its wiring connector to the jumper harness connector so they lock together. The connectors will fit together only one way.
4. For Top/Upright Freezers Only: Hang the ice maker over the two hex-head screws you installed earlier. Make sure that the bottom mounting bracket hole is aligned with the mounting hole in the freezer liner, then tighten the two top hex head screws. Be sure not to overtighten the screws.
5. For Side-By-Side Models Only: Position the ice maker so that its top and bottom mounting tabs are flat against the side of the freezer liner. Center the top tabs under the two mounting clips, and push the ice maker straight up so that the mounting clips snap over the tabs and lock into place (you should hear them "click" as they lock).
6. Mount the bottom bracket of the ice maker to the freezer liner mounting hole with a 1/2" hex-head sheet-metal screw.
7. Confirm fill tube extension reaches into the fill cup on the ice maker. Install a different extension from the kit if the one previously selected is too long or too short to dispense into the fill cup with the ice maker mounted.



Connecting the Water Supply

Read all directions before you begin.

IMPORTANT:

- Connect to potable water supply only.

Do not use with water that is microbiologically unsafe or of unknown quality without adequate disinfection before or after the system. Systems certified for cyst reduction may be used on disinfected waters that may contain filterable cysts.

- Plumbing must be installed in accordance with the International Plumbing Code and any local codes and ordinances.
- Copper and PEX tubing connections from the household water line to the refrigerator are acceptable and will help avoid off-taste or odor in your ice or water. Check for leaks.
- If PEX tubing is used instead of copper, we recommend the following part numbers: W10505928RP (7 ft [2.14 m] jacketed PEX), 8212547RP (5 ft [1.52 m] PEX), or W10267701RP (25 ft [7.62 m] PEX).
- Install tubing only in areas where temperatures will remain above freezing.

Tools Needed:

Gather the required tools and parts before starting installation.

- Flat-blade screwdriver
- 7/16" and 1/2" open-end wrenches or 2 adjustable wrenches
- 1/4" nut driver

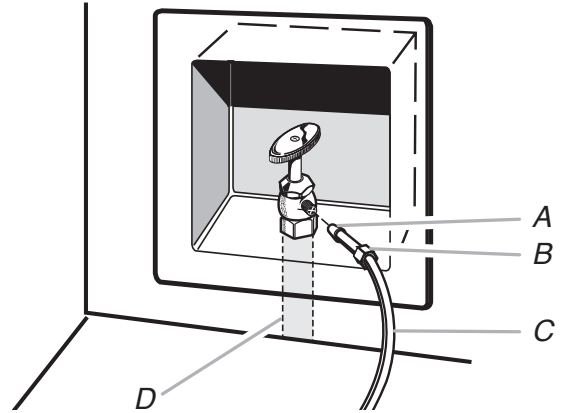
NOTE: Do not use a piercing-type or 3/16" (4.76 mm) saddle valve, which reduces water flow and clogs easier.

Connect to Water Line

IMPORTANT: If you have turned the refrigerator on before the water was connected, turn off the ice maker.

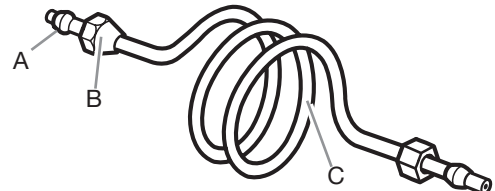
1. Unplug refrigerator or disconnect power.
2. Turn off main water supply. Turn on nearest faucet long enough to reduce water pressure in the water line.
3. Use a quarter-turn shut-off valve or the equivalent, served by a 1/2" household supply line.

NOTE: To allow sufficient water flow to the refrigerator, a minimum 1/2" (12.7 mm) size household supply line is recommended.



A. Sleeve
B. Nut
C. Copper tubing (to refrigerator)
D. Household supply line (1/2" minimum)

4. Now you are ready to connect the copper tubing to the shut-off valve. Use 1/4" (6.35 mm) O.D. (outside diameter) soft copper tubing to connect the shut-off valve and the refrigerator.
5. Ensure that you have the proper length needed for the job. Be sure both ends of the copper tubing are cut square.
6. Slip compression sleeve and compression nut onto copper tubing as shown. Insert end of tubing into outlet end squarely as far as it will go. Screw compression nut onto outlet end with adjustable wrench. Do not overtighten.



A. Compression sleeve
B. Compression nut
C. Copper tubing

7. Place the free end of the tubing into a container or sink and turn on main water supply to flush out tubing until water is clear. Turn off shut-off valve on the water pipe.

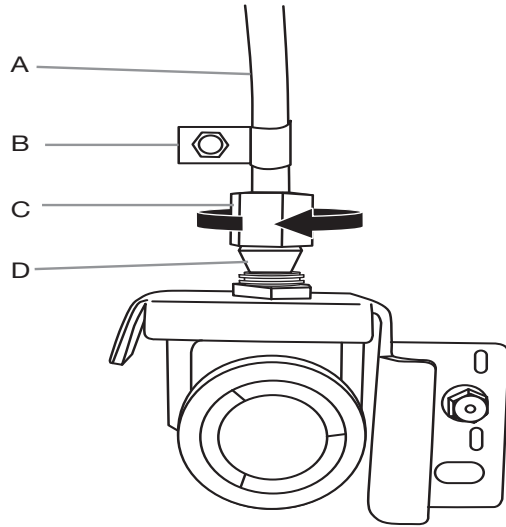
Note: Always drain the water line before making the final connection to the inlet of the water valve to avoid possible water valve malfunction.

8. Bend the copper tubing to meet the water line inlet, located on the back of the refrigerator cabinet as shown. Leave a coil of copper tubing to allow the refrigerator to be pulled out of the cabinet or away from the wall for service.

Connect to Refrigerator

Follow the connection instructions specific to your model.

1. Remove plastic cap from water valve inlet port. Attach the copper tubing to the valve inlet using a compression nut and sleeve as shown. Tighten the compression nut. Do not overtighten. Confirm copper tubing is secure by pulling on copper tubing.
2. Create a service loop with the copper tubing. Avoid kinks when coiling the copper tubing. Secure copper tubing to the rear panel with a "P" clamp, using the original screw in the panel slot above the valve.



A. Copper tubing
B. "P" clamp

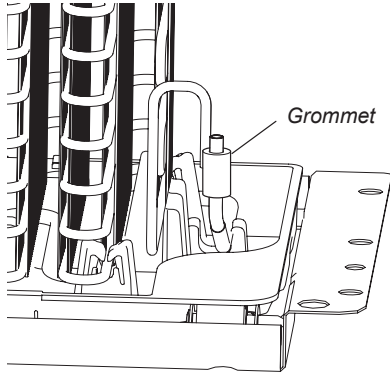
C. Compression nut
D. Compression sleeve

3. Turn on water supply to refrigerator and check for leaks. Correct any leaks.

Final Installation

Installing the access cover and forming the copper tubing

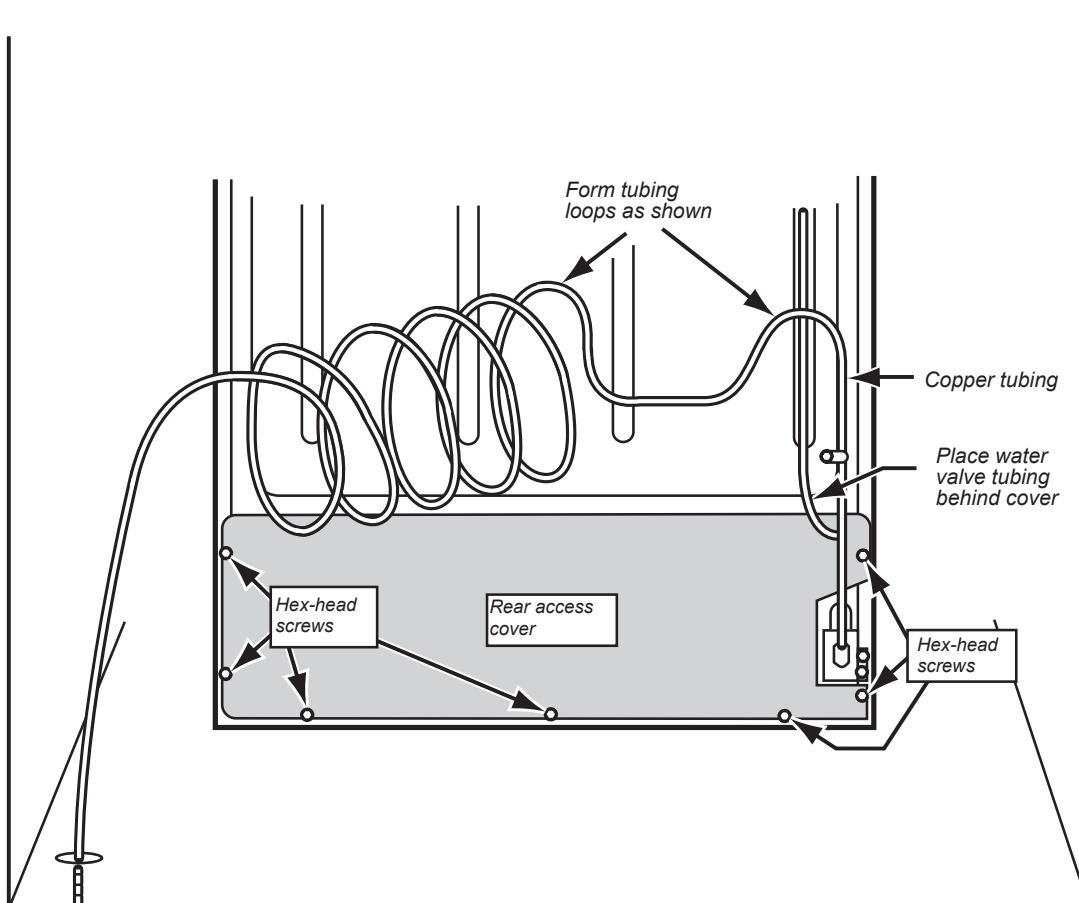
1. Top freezer models only: Add grommet to condenser to avoid contact between valve and condenser area.



2. Reinstall the rear access cover on the refrigerator so the water valve tubing is inside the cover, and the copper water line is outside (see the diagram below), then secure the cover with the hex-head screws you removed earlier.

NOTE: For side by side models, gently route the plastic tubing through the slot in the metal access cover.

3. Loop the copper tubing coming from the water valve as shown. Position the coiled copper tubing near the center of the unit so that it forms an "accordion-fold" (as shown in the diagram below) when it is moved to and from the wall.



Installing the access cover and forming the copper tubing

Connecting the power/ Leveling the unit

⚠ WARNING



Electrical Shock Hazard

Plug into a grounded 3 prong outlet.

Do not remove ground prong.

Do not use an adapter.

Do not use an extension cord.

Failure to follow these instructions can result in death, fire, or electrical shock.

1. Plug the power cord into its AC outlet, and gently push the refrigerator back against the wall.
2. Place a level on top of the cabinet. If you need to re-level the refrigerator, follow the procedure to adjust the front casters, as outlined in your refrigerator's "Owner's Manual."
3. Check the position of the ice maker. If it is crooked and needs to be adjusted, loosen the bottom bracket screw and position the ice maker as desired, then tighten the bracket screw.

Starting the Ice Maker

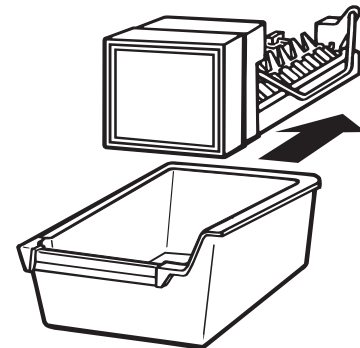
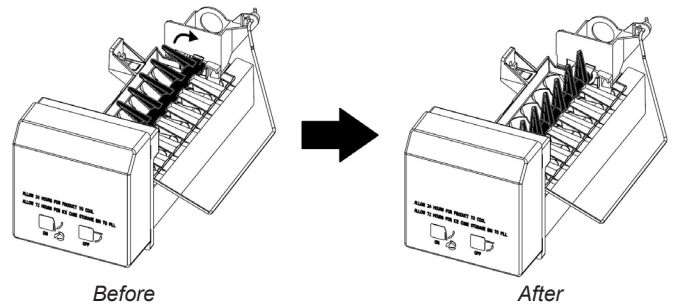
- IMPORTANT:** Make sure freezer lights are on and freezer door switch remains open when performing this step. Manually rotate ejector fingers 60 degrees towards a vertical orientation. To avoid damaging ice maker, ejector fingers should only be rotated in a clockwise direction (see illustration).
- Wash out the ice bucket, and then slide it under the ice maker (see the side diagram) as far as it will go. The ice bucket will be sitting on top of the freezer shelf.

IMPORTANT: On top-mount models without a full-width freezer shelf, you will need to place the ice bucket on top of the inverted ice tray shelf. First, position the ice tray shelf face down so that the shorter side is alongside the freezer wall (see DETAIL A). Then insert the tabs on the shorter side of the shelf into the slots on the edge of the freezer floor. This will hold the shelf in position. Next, place the ice bucket on top of the inverted ice tray shelf and slide it under the ice maker (see side diagram). The ice maker will not function properly if the ice bucket is placed directly on the freezer floor.

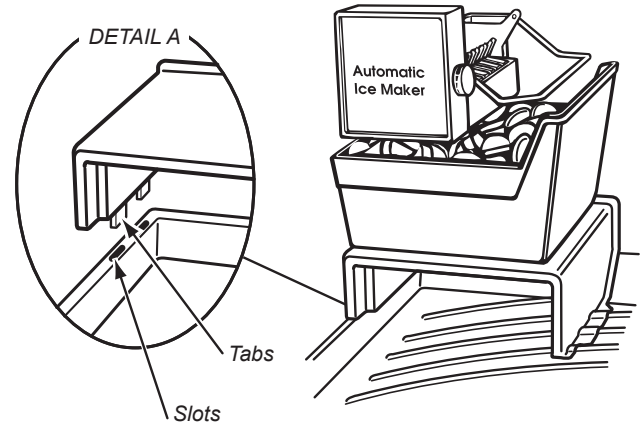
- Place the items back into the freezer compartment.
- Lower the arm on the ice maker (see the side diagram) to its “on” position, and close the freezer door. The ice maker will begin to make ice within 24 hours.

NOTE: It usually takes approximately 24 hours for the ice maker to begin producing ice. Once ice is available, you may notice that it has an “off taste.” If this happens, make two or three batches of ice and discard them. After that, the “off-taste” should be gone. If you have any problems, refer to “Troubleshooting” section.

This completes the installation of your Ice Maker.

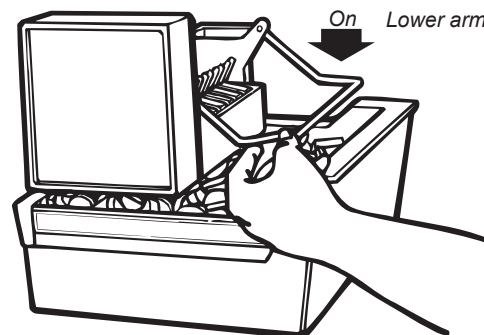


Installing the ice bucket



↑ Off Raise arm to stop ice

↓ On Lower arm to start it



Turning the ice maker on

Troubleshooting

Operational notes

1. The Ice Maker water valve contains a flow washer that acts like a pressure regulator to control the water flow. For the Ice Maker to work properly, the water pressure in your home must be between 20 and 120 pounds per-square-inch (psi). If you encounter problems with your Ice Maker's ability to produce ice, call your water utility company and have the water pressure checked.
2. The Ice Maker's water valve is equipped with two strainers: a plastic basket type and a wire-mesh screen. Both of these can be cleaned by turning off the water and disassembling the water valve (your service center should be able to provide this service). If local water conditions require periodic cleaning, or if you use a well as a water source, you should consider installing a second water strainer in the water line. You can obtain a water strainer from your local appliance dealer.

Troubleshooting chart

The following chart lists several common problems that could occur with your Ice Maker.

PROBLEM	CAUSE
One or more of the following sounds is heard: <ul style="list-style-type: none">■ Buzzing■ Trickling water■ Thud (clatter of ice)	The water valve is operating. Water is entering the Ice Maker fill cup. Ice is being dumped into the ice bin.
Ice tastes stale.	The ice is old. Make a new batch.
Water in Ice Maker overflows.	Refrigerator or Ice Maker is not level. If the Ice Maker still overflows after leveling, turn off the Ice Maker's water supply at the shut-off valve, and raise the Ice Maker's bail arm to the "off" position; then contact your local service center.
Not enough ice.	It will take 72 hours to fill the ice bucket. The ice maker will make ice every 2 to 3 hours. For more ice, adjust the freezer control for a colder setting.
Ice making has stopped.	Be sure that the bail arm is lowered into the ice bucket. Make sure that the water shut-off valve is on. The water shut-off valve or the water valve screen is clogged (contact your local service center).