



REFRIGERATOR

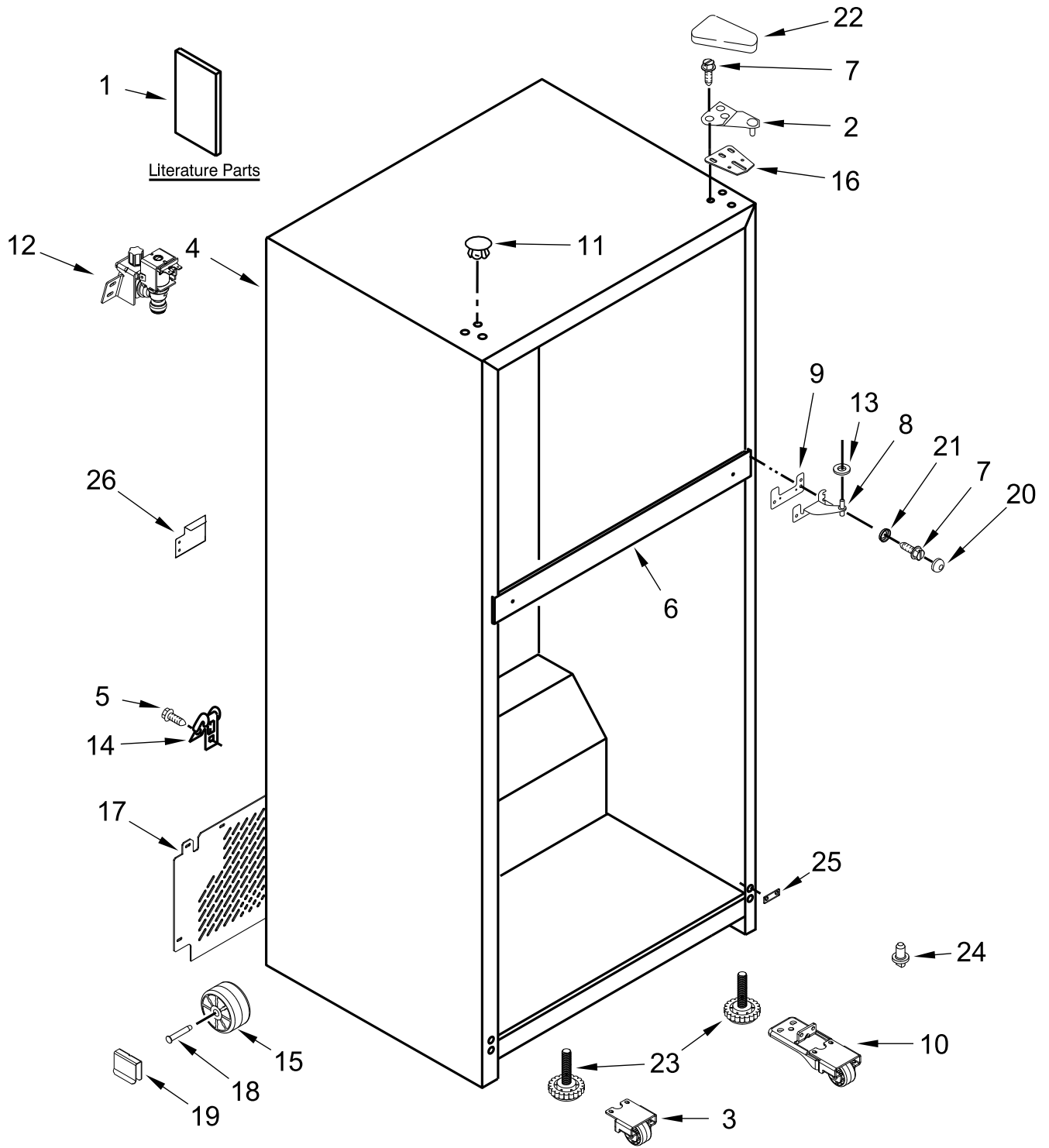
MODELS:

WRT148FZDW07 (White)

WRT148FZDB07 (Black)

WRT148FZDM07 (Stainless)

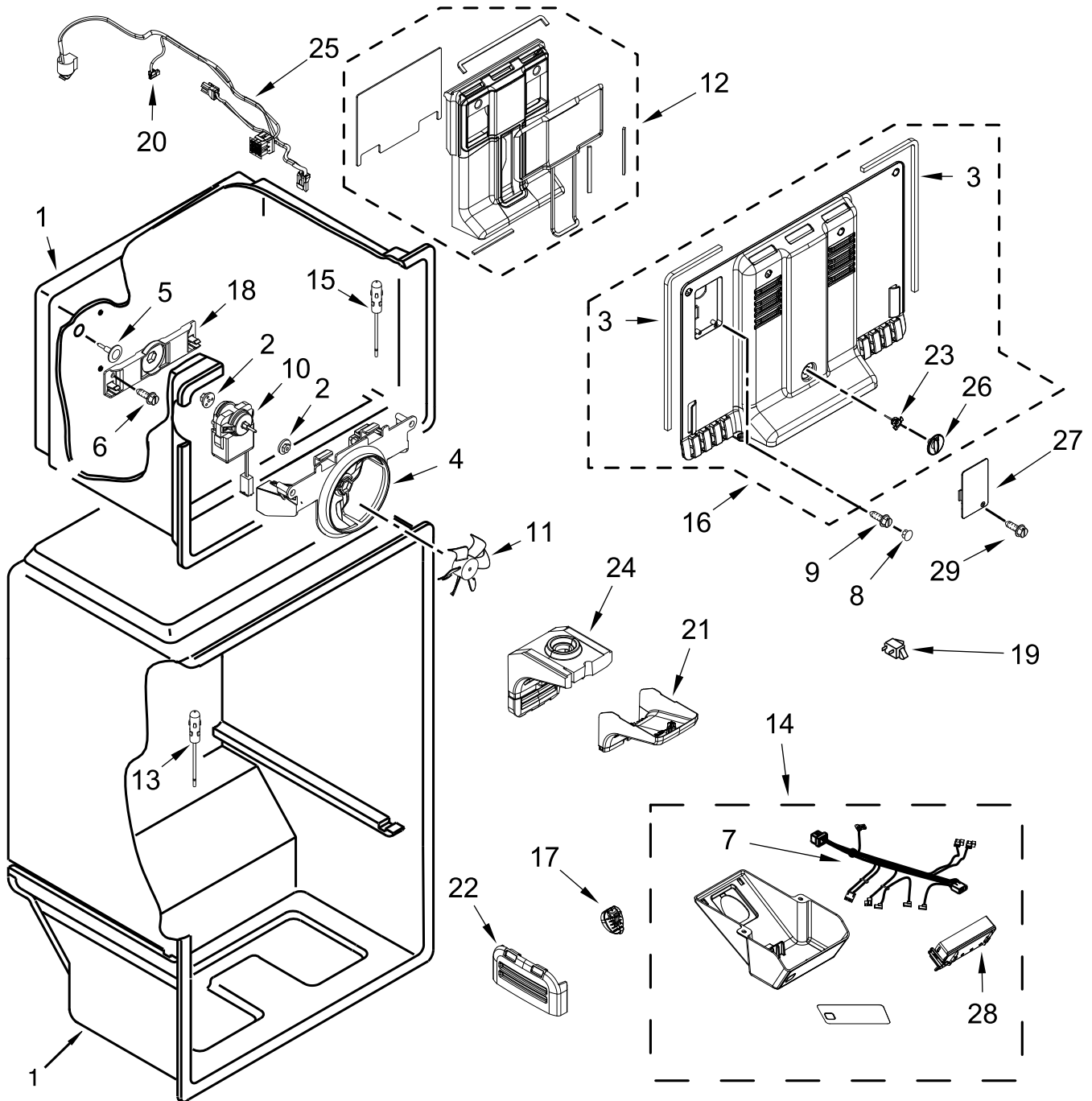
CABINET PARTS



CABINET PARTS

<u>Illus.</u> <u>No.</u>	<u>Part No.</u>	<u>Description</u>	<u>Illus.</u> <u>No.</u>	<u>Part No.</u>	<u>Description</u>	<u>Illus.</u> <u>No.</u>	<u>Part No.</u>	<u>Description</u>
1		Literature Parts	11		Plug, Hole	20		Cap, Dome
	W11511780	Tech Sheet		W10520304	White		W10674771	White
	W11507956	Use and Care Guide		W10520305	Black		W10679135	Black
	W11643999	Energy Guide		W10520307	Grey		W10679139	Grey
2	2261963	Assembly, Top Hinge	12	W10498995	Valve, Inlet	21	W10674773	Cap, Washer Dome
3	W10842654	Assembly, Roller	13	489341	Washer, Plastic	22		Cover, Hinge
4		Cabinet (Not Serviced)	14	W11242280	Clamp, Power Cord		2213360	White
5	489442	Screw	15	W10475495	Roller		2213363	Black
6		Rail, Center (Not Serviced)	16		Shim, Top Hinge		2254510	Grey
				2221885	White	23	W10671258	Leveler
7	489497	Screw	17	W11307288	Cover, Unit	24	W10638688	Hinge Pin
8	2254618	Hinge, Center	18	981126	Axle, Roller	25	W11359355	Shim, Bottom Hinge
9	2183852	Shim, Hinge Center	19	2174706	Clip, Roller	26	W11458717	Access Cover, Valve
10	W10843861	Lower Hinge and Roller Assembly						

LINER PARTS

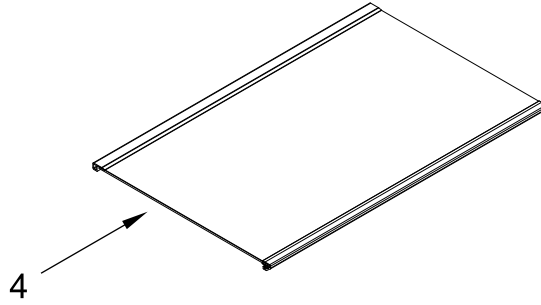


LINER PARTS

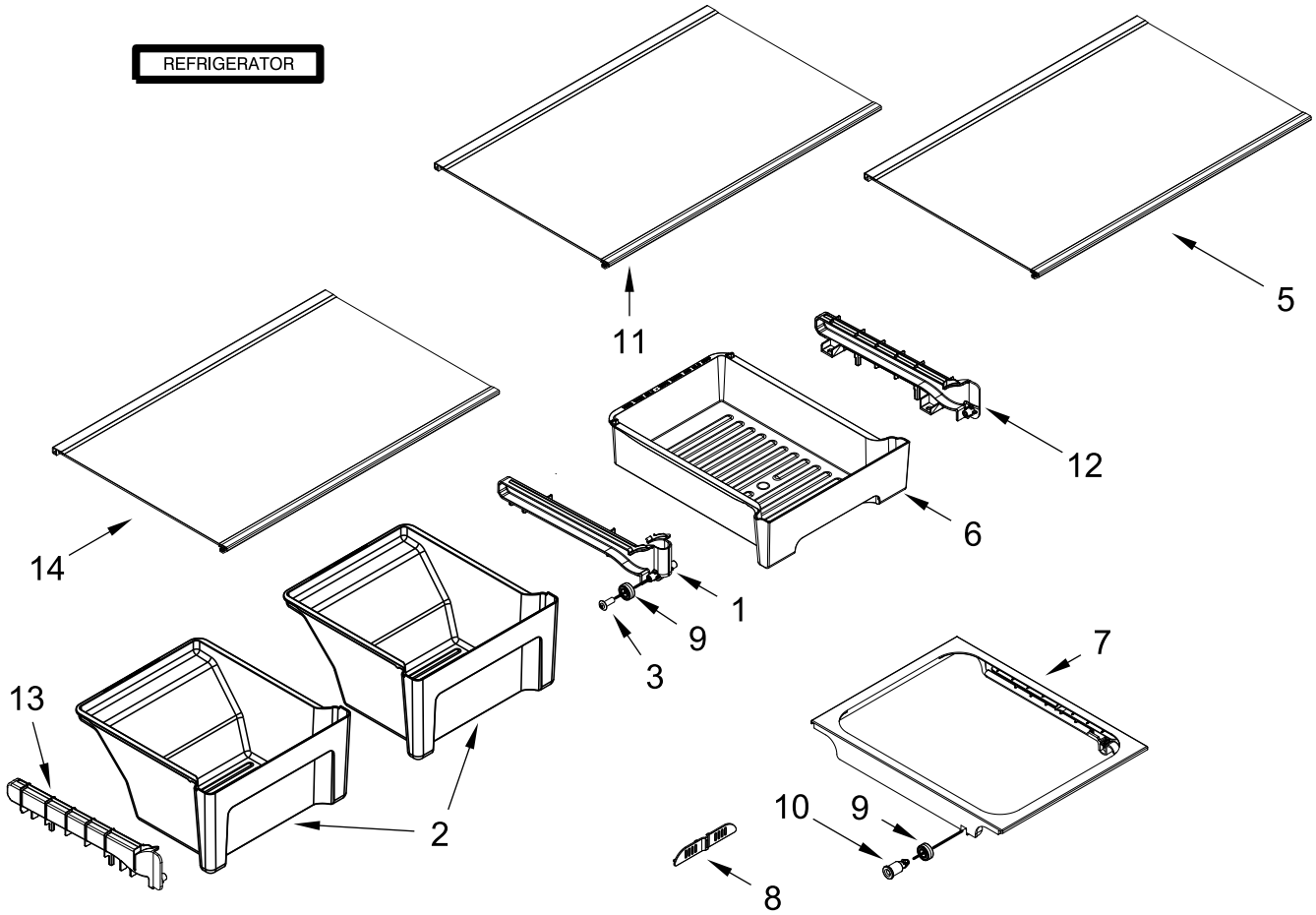
<u>Illus. No.</u>	<u>Part No.</u>	<u>Description</u>	<u>Illus. No.</u>	<u>Part No.</u>	<u>Description</u>	<u>Illus. No.</u>	<u>Part No.</u>	<u>Description</u>
1		Liner (Not Serviced)	13	W11108173	Thermistor, Refrigerator	25	W11314499	Assembly, Evaporator Fan Wire (Includes Thermal Fuse)
2	2197380	Grommet	14	W11504958	Assembly, Box Control	26	W10570952	Knob, Air Control
3	W10709194	Gasket, Evaporator Cover	15	W10384183	Thermistor	27	W11341621	Cover, Hole
4	W10321162	Bracket, Fan Motor	16	W11510096	Cover, Evaporator	28	W11476561	Control, Electronic
5		Hole Plug	17	W11429584	Module, LED	29	W10720456	Screw (White)
	941839	White	18	2254454	Bracket, Evaporator Fan Rear			
6	488208	Screw	19	W11514900	Switch, Light			
7	W11203360	Wire Assembly, Control Box	20		Thermal Fuse (Not Serviced)			
8	W10487421	Cover, Screw	21	W10705209	Cover, Air Diffuser			
9	8281232	Screw	22	W10638176	Cup, Air Diffuser			
10	2315539	Motor, Evaporator Fan	23	W10570951	Baffle, Air Manual			
11	2163777	Fan Blade	24	W10633587	Assembly, Air Diffuser			
12	W10676682	Assembly, Evaporator Plenum						

SHELF PARTS

FREEZER



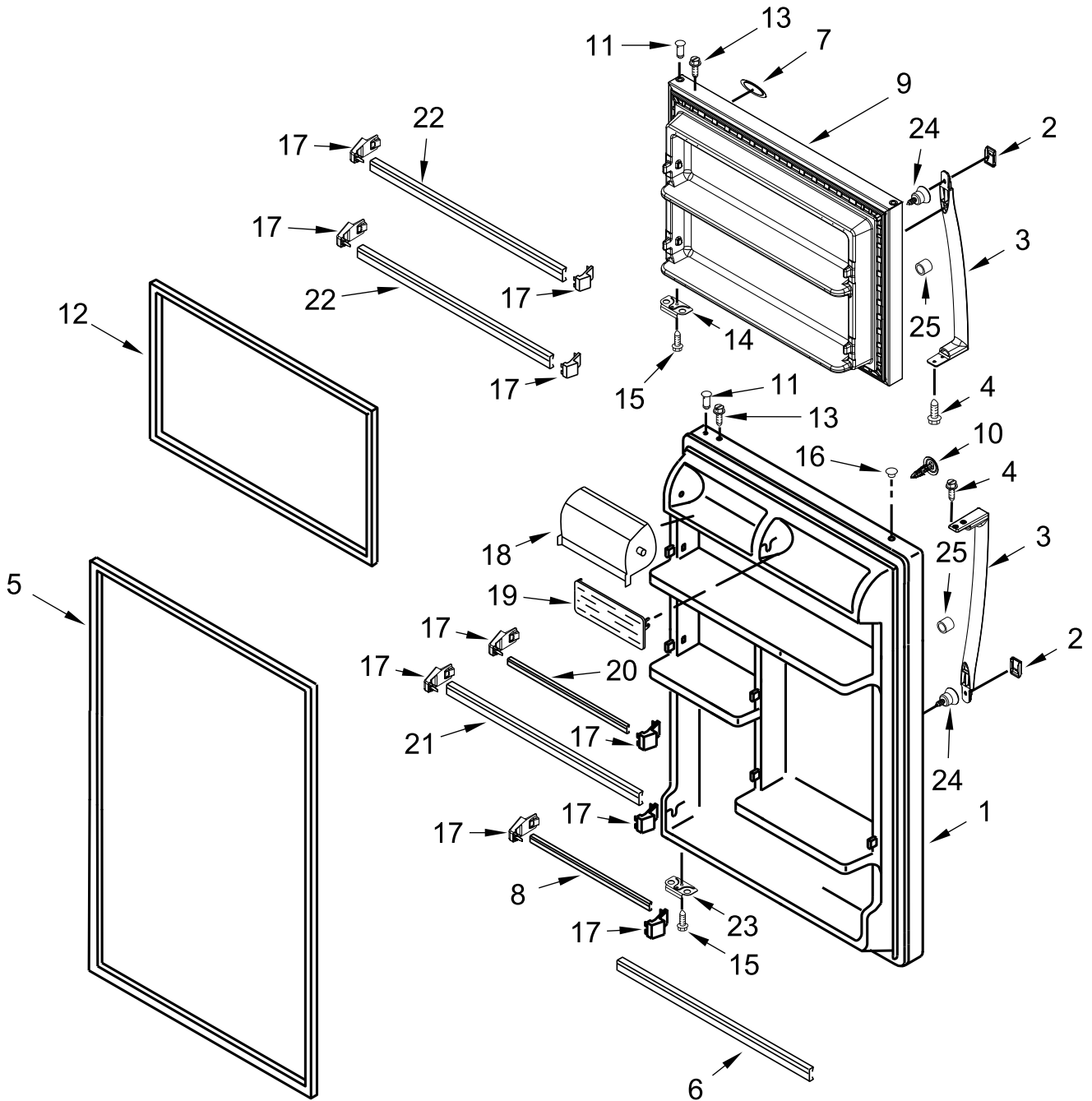
REFRIGERATOR



SHELF PARTS

<u>Illus.</u> <u>No.</u>	<u>Part No.</u>	<u>Description</u>	<u>Illus.</u> <u>No.</u>	<u>Part No.</u>	<u>Description</u>	<u>Illus.</u> <u>No.</u>	<u>Part No.</u>	<u>Description</u>
1	W11526406	Rail, Center Track	7	W10628698	Holder, Meat Pan	12	W11526405	Rail, Track (Right Hand)
2	W10668872	Assembly, Crisper Pan	8	W10356844	Control, Humidity	13	W11526404	Rail, Track (Left Hand)
3	3400065	Screw (Stainless)	9	W10628713	Roller, Pan	14	W11553146	Assembly, RC Shelf
4	W11553150	Assembly, FC Shelf	10	W10628712	Axle, Roller			
5	W10628707	Assembly, Shelf	11	W11553145	Shelf Assembly, Crisper			
6	W10714006	Pan, Meat						

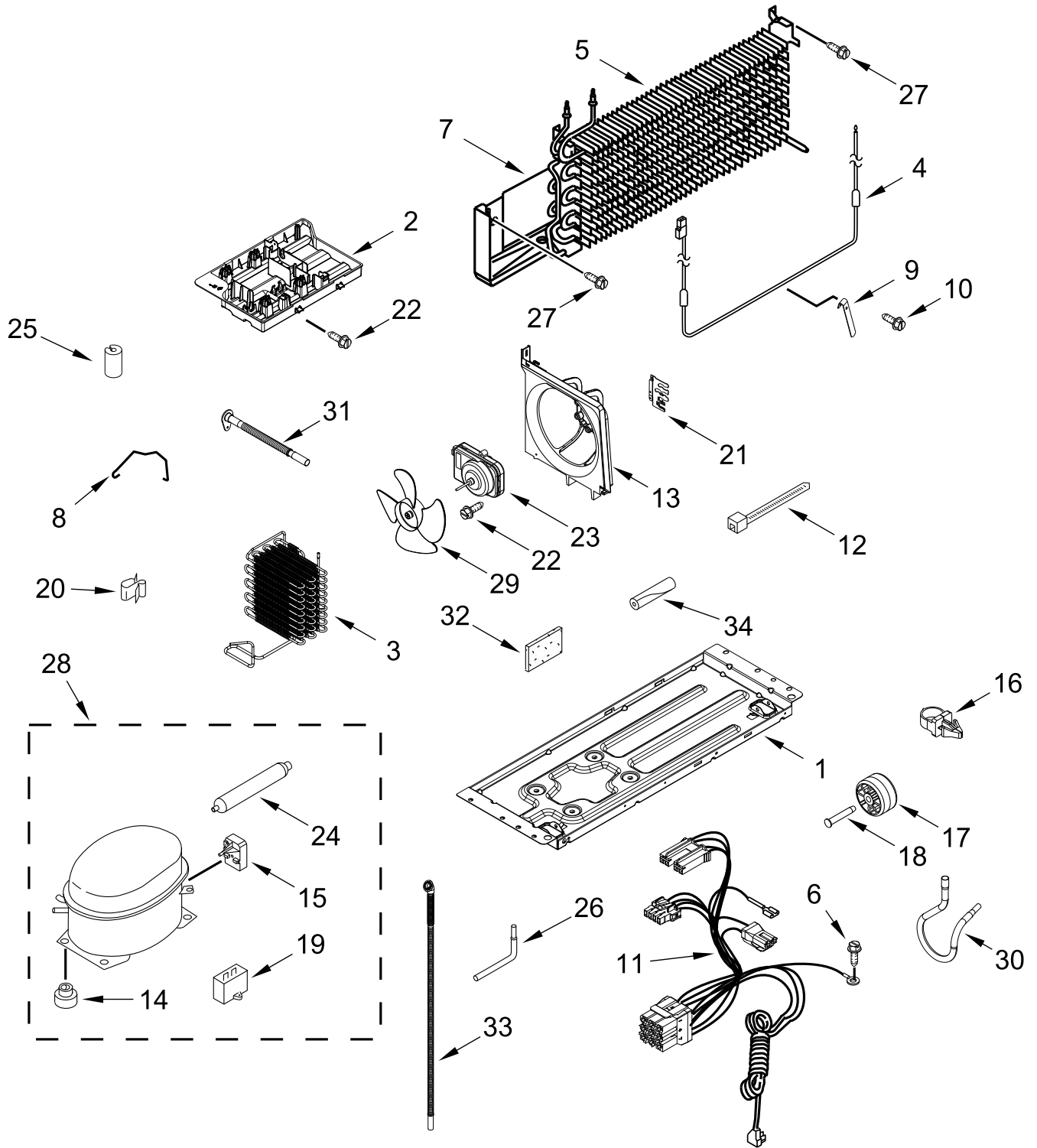
DOOR PARTS



DOOR PARTS

<u>Illus.</u> <u>No.</u>	<u>Part No.</u>	<u>Description</u>	<u>Illus.</u> <u>No.</u>	<u>Part No.</u>	<u>Description</u>	<u>Illus.</u> <u>No.</u>	<u>Part No.</u>	<u>Description</u>
1		Refrigerator Door (Includes Door Gasket)	7	W10884775	Badge	16		Plug, Hole
	W10636410	White	8	W10719700	Trim, Door		2212648	White
	W10668874	Black	9		Freezer Door (Includes Door Gasket)		2212651	Black
	W10638684	Stainless		W10636409	White		2254517	Grey
2		Handle, Trim		W10668875	Black	17	2156003	Endcap, Trim
	W10672338	White		W10638683	Stainless	18	2218113	Door, Compartment
	W10672339	Black	10		Plug, Hole	19	2188234	Door, Flip Up
	W11374428	Gray		W10663736	White	20	W10719701	Trim, Shelf Door
3		Handle, Door		W10663737	Black	21	W10678772	Trim, Door
	W10672333	White		W10663739	Grey	22	W10719702	Trim, Door
	W10672334	Black	11	2262054	Thimble	23	W10638692	Bracket, Door Stop
	W10653470	Stainless	12		Gasket, Door	24	W10170540	Screw (For Stainless Model Only)
4	489357	Screw		W10638675	White			
5		Gasket, Door		W10667843	Black	25	W10511911	Bushing, Handle (For Stainless Model Only)
	W10638676	White		W11030682	Grey			
	W10678768	Black	13	8281206	Screw			
	W11030683	Grey	14	2189202	Bracket, Door Stop			
6	W10719703	Trim, Door	15	488921	Screw			

UNIT PARTS



UNIT PARTS

<u>Illus.</u> <u>No.</u>	<u>Part No.</u>	<u>Description</u>	<u>Illus.</u> <u>No.</u>	<u>Part No.</u>	<u>Description</u>	<u>Illus.</u> <u>No.</u>	<u>Part No.</u>	<u>Description</u>
1	W10624648	Support Plate, Compressor	9	W11399989	Heat Probe	25	2319835	Grommet, Condenser
2	W10633582	Tray, Evaporator	10	489478	Screw	26	VS20001	Tube, Process
3	W11290570	Condenser (Also Order the Following Lokring Parts)	11	W11238433	Harness, Unit	27	489442	Screw
	W11504445	5/4 NR MS 00 (High Side to Condenser)	12	2263990	Tie, Wire	28	W11358352	Compressor (Also Order the Following Lokring Parts)
	W11506623	5 NK MS 00 (Suction Line to Condenser)	13	W11438498	Bracket, Fan		W11504415	8.5/8 NR MS 00 (Suction Tube to Compressor)
4	W11340898	Heater, Defrost	14	10835903	Grommet		W11504431	7/5 NR MS 00 (High Pressure Side to Compressor)
5	W11282685	Assembly, Evaporator (Also Order the Following Lokring Parts)	15	W10197428	Device, Combination Start (Start Relay and Overload)		W11506619	8 NK MS 00 (Process Tube to Compressor)
	W11504419	(8/7 NR AL 00) (Suction Line to Evaporator)	16	2219077	Clip, Harness	29	W10817071	Blade, Fan
	W11504449	4/2 NR AL 00 (Capillary Tube to Evaporator)	17	W10475495	Roller	30	W10633577	Tube, Suction
6	488500	Screw	18	2179826	Axle, Rivet	31	W11383479	Extension, Drain Tube
7	W11377819	Heat Shield	19	W10590083	Capacitor	32	2215468	Insulation, Sound
8	W10174384	Strap, Bale	20	2326941	Clip, Wire	33	W10633573	Tube, Drain
			21	W11340313	Bracket, Evaporator	34	2264838	Sleeve REFRIGERANT CHARGE 48 grams (R600a)
			22	W10622701	Screw			
			23	W10909387	Motor, Condenser Fan			
			24	W10805035	Drier (Service Drier Without Dye) (Also Order the Following Lokring Parts)			
				W11504445	5/4 NR MS 00 (Heat Loop to Drier)			
				W11504449	4/2 NR AL 00 (Capillary Tube to Drier)			

OPTIONAL PARTS

<u>Illus.</u> <u>No.</u>	<u>Part No.</u>	<u>Description</u>	<u>Illus.</u> <u>No.</u>	<u>Part No.</u>	<u>Description</u>	<u>Illus.</u> <u>No.</u>	<u>Part No.</u>	<u>Description</u>
		Following Parts Not Illustrated		503695	Cork, Sealer			Important: The spray paint is not to be used where the paint may make contact with the door gaskets.
				8003RP	Kit, Water Inlet			
978941		Insulation, Fiberglass (63 1/2" x 35 1/2" x 2 5/8")		W10662124	Door Reversal Kit, White Model			
212643		Sealer, Gum (4 Feet)		W10676239	Door Reversal Kit, Black Model			PAINT, BULK (1 qt.)
479502		Tape, Vinyl (3/4 x 108")		W10676240	Door Reversal Kit Stainless Model	799344		White (Uncut)
876305		Insulation Kit (14 Pieces, 3" x 24" x 48")			PAINT, TOUCH-UP (1/2oz.)	4392900		Biscuit/Bisque
876370		Insulation (2 Pieces, 3" x 24" x 48")		72017	White			Important: The spray paint is not to be used where the paint may make contact with the door gaskets.
876029		Kit, Foam Slab (30" x 32 1/2" x 1 1/2")		72032	Black			ICE MAKER FIELD INSTALLABLE
505587		Sealer, Mastic (1 Qt)		4392899	Biscuit and Bisque			
511873		White Porcelain (2 oz.)		W10134625	Apollo Grey			TORX SCREW WRENCH
542638		Grease, Silicone (1/2 Oz.)			PAINT, PRESSURIZED SPRAY (12 oz.)	1117510		Torx Key
542639		Cement, Alumilastic (1 1/4 Oz.)		350942	White Primer			ICE MAKER FIELD INSTALLABLE
606755		Bag		350939	Enamel, Black	W11698621		Complete Ice Maker Kit
833938		Kit, Terminal Connector		350930	White			
				4392901	Biscuit and Bisque			