



REFRIGERATOR

MODELS:

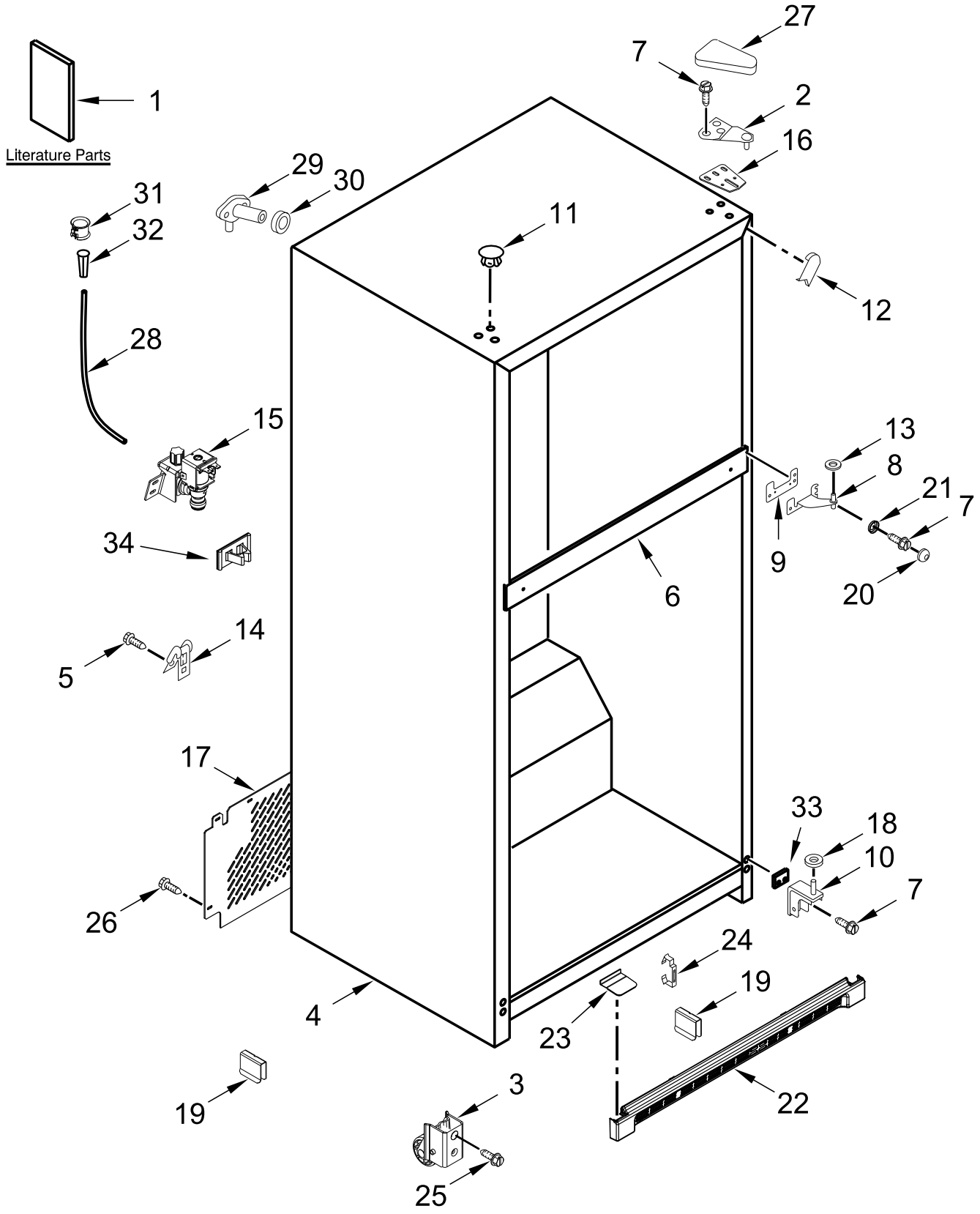
WRT311FZDW04 (White)

WRT311FZDB04 (Black)

WRT311FZDT04 (Biscuit)

WRT311FZDM04 (Stainless)

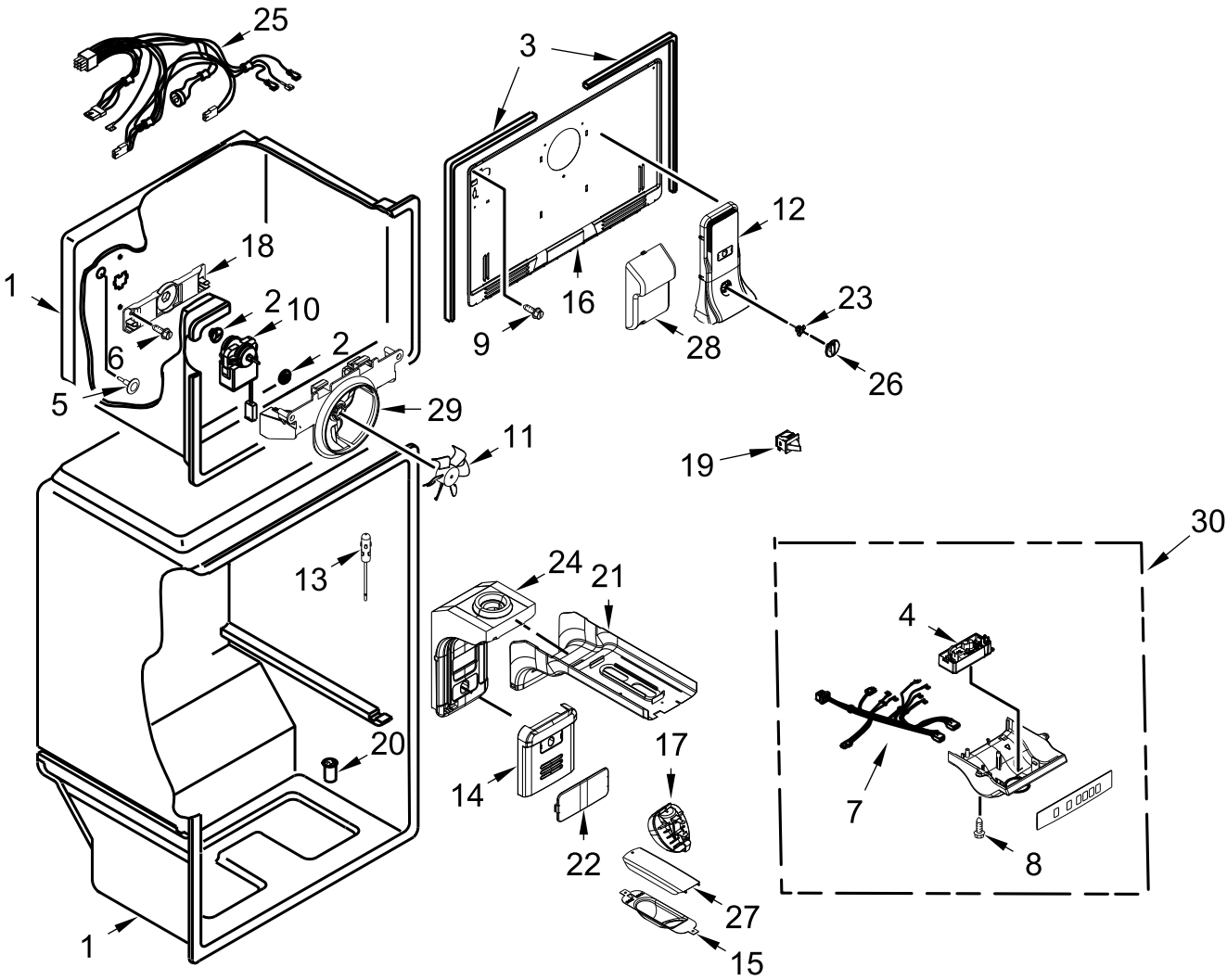
CABINET PARTS



CABINET PARTS

<u>Illus.</u> <u>No.</u>	<u>Part No.</u>	<u>Description</u>	<u>Illus.</u> <u>No.</u>	<u>Part No.</u>	<u>Description</u>	<u>Illus.</u> <u>No.</u>	<u>Part No.</u>	<u>Description</u>
1		Literature Parts	13	489341	Washer, Plastic	25	W10142287	Screw
	W11632901	Tech Sheet	14	W11242280	Clamp, Power Cord	26	2262176	Screw
	W11507956	Use and Care Guide	15	W10498995	Valve, Inlet	27		Cover, Top Hinge
	W11337344	Energy Guide	16		Shim, Top Hinge		2213360	White
2	2261963	Assembly, Top Hinge		2221885	White		2213363	Black
3	W10725960	Assembly, Roller	17	W11307290	Cover, Unit		2213364	Biscuit
4		Cabinet (Not Serviced)	18	487576	Washer, Plastic		2254510	Grey
5	489442	Screw	19	2174706	Clip, Roller	28	2003812	Tube, Water Inlet
6		Rail, Center (Not Serviced)	20		Cap, Dome	29	W11249272	Fitting, Water Tube
7	489497	Screw		W10674771	White	30	1106508	Gasket, Seal
8	2254618	Hinge, Center		W10679135	Black	31	W10329003	Clamp, Tube
9	2183852	Shim, Hinge Center		W10679138	Biscuit	32	2181939	Insert, Tube
10	2254473	Hinge, Bottom		W10679139	Grey	33	2201567	Shim, Hinge (Bottom)
11		Plug, Hole	21	W10674773	Cap, Washer Dome	34	W10352217	Clip, Tube
	W10520304	White	22		Grille			
	W10520305	Black		W10592141	White			
	W10520306	Biscuit		W10592142	Black			
	W10520307	Grey		W10592143	Biscuit			
12		Filler, Wrapper		W10592144	Grey			
	W11219639	White	23		Cover, Toe Grille			
	W11219641	Black		W10600071	White			
	W11219640	Biscuit		W10468609	Black			
	W11219642	Grey		W10468610	Biscuit			
				W10468611	Grey			
			24	2254385	Clip, Grille			

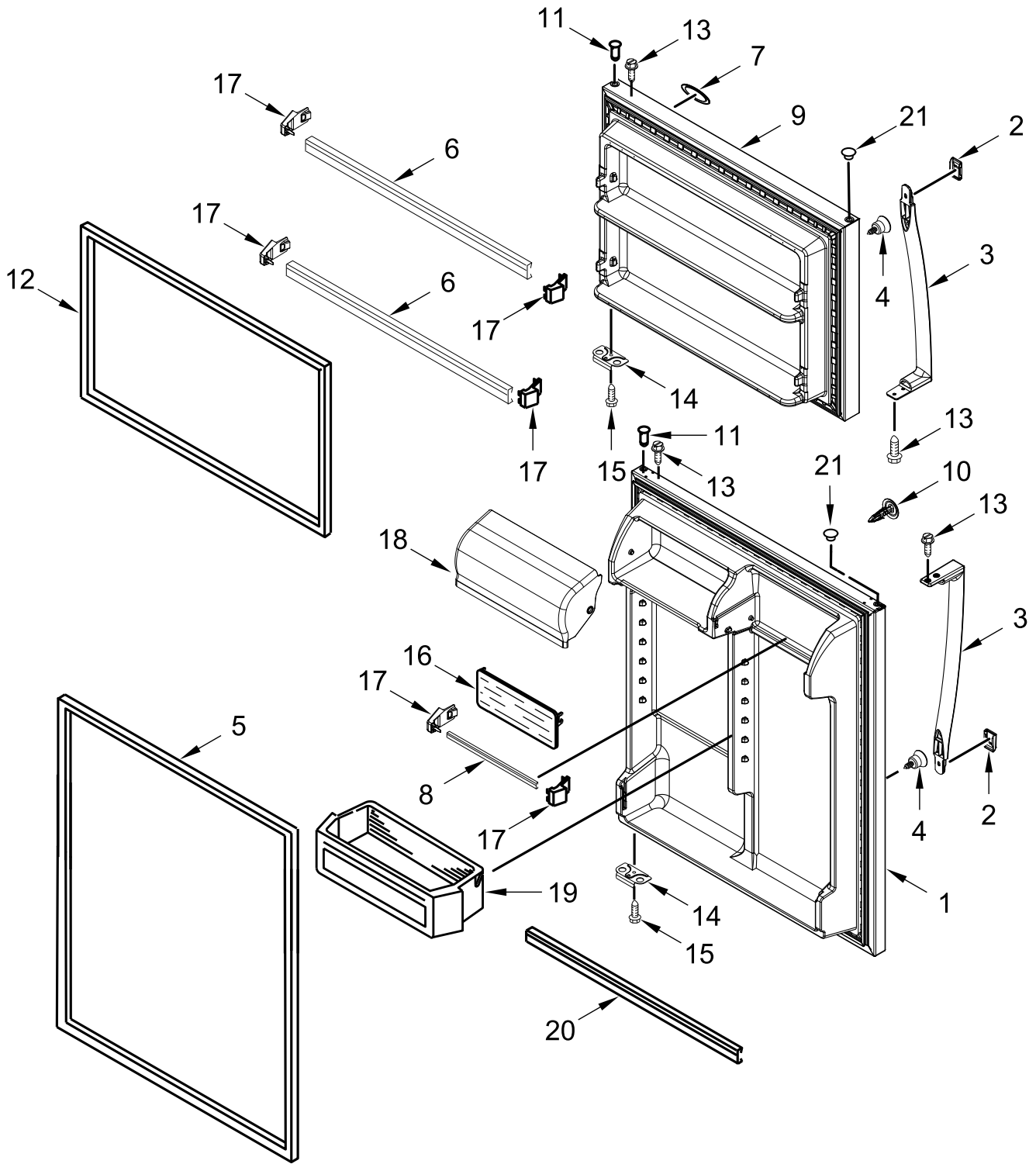
LINER PARTS



LINER PARTS

<u>Illus. No.</u>	<u>Part No.</u>	<u>Description</u>	<u>Illus. No.</u>	<u>Part No.</u>	<u>Description</u>	<u>Illus. No.</u>	<u>Part No.</u>	<u>Description</u>
1		Liner (Not Serviced)	11	2200509	Blade, Fan	22	W10336009	Cup, Screw
2	2197380	Grommet	12	W10654834	Assembly, Air Tower (FC)	23	W10662269	Baffle, Air Manual
3	2254360	Gasket, Evaporator Cover	13	W10384183	Thermistor	24	W10883330	Assembly, Multiflow
4	W11476563	Control, Adaptive Defrost	14	W10609502	Cup, Air Diffuser	25	W11373514	Assembly, Wire Evaporator Fan (Includes Thermal Fuse)
5		Hole Plug	15	W10300161	Shield, Light	26	W10570952	Knob, Air Control
	941839	White	16	W11515911	Cover, Evaporator	27	W10348614	Cover, Light
6	488208	Screw	17	W11429584	Module, LED	28	W11341625	Cover, Water Tube
7	W11203362	Assembly, Control Box Wire	18	2254454	Bracket, Evaporator Fan Rear	29	W10321162	Bracket, Fan Motor
8	489174	Screw	19	W11514900	Switch, Light	30	W11476575	Box, Control (Includes Overlay)
9	W10142283	Screw (White)	20	2210509	Valve, Release			
10	2315539	Motor, Evaporator Fan	21	W10305175	Cover, Air Diffuser			

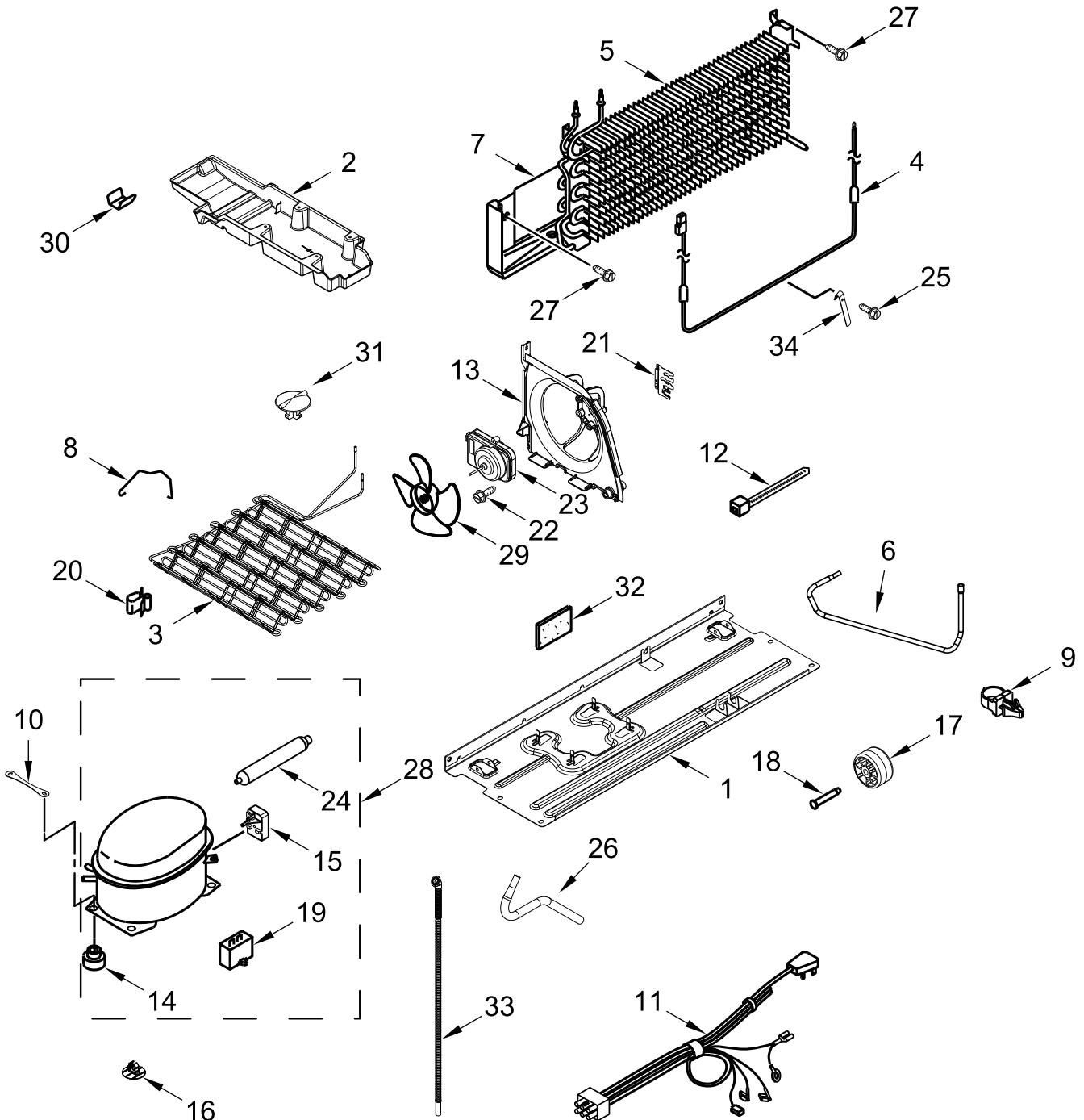
DOOR PARTS



DOOR PARTS

<u>Illus.</u> <u>No.</u>	<u>Part No.</u>	<u>Description</u>	<u>Illus.</u> <u>No.</u>	<u>Part No.</u>	<u>Description</u>	<u>Illus.</u> <u>No.</u>	<u>Part No.</u>	<u>Description</u>
1		Refrigerator Door (Includes Door Gasket)	7	W10884775	Badge	17	2156003	Endcap, Trim
	W10599404	White	8	W10720455	Trim, Door	18	W11455931	Door, Compartment
	W10599396	Black	9		Freezer Door (Includes Door Gasket)	19	W10582649	Bin, Door
	W10679333	Biscuit		W10599407	White	20	W11230195	Trim, Door
	W10642551	Stainless		W10599399	Black	21		Plug, Hinge
2		Handle, Trim		W10679336	Biscuit		2212648	White
	W10672338	White		W10642554	Stainless		2212651	Black
	W10672339	Black	10		Plug, Hole		2212649	Biscuit
	W10672341	Biscuit		W10663736	White		2254517	Grey
	W11374428	Gray		W10663737	Black			FOLLOWING PARTS NOT ILLUSTRATED
3		Handle, Door		W10663738	Biscuit	W10662124		Door Reversal Kit, White Model
	W10672333	White		W10663739	Grey	W10676239		Door Reversal Kit, Black Model
	W10672334	Black	11	2314293	Thimble	W10691128		Door Reversal Kit, Biscuit Model
	W10672336	Biscuit	12		Gasket, Door	W10676240		Door Reversal Kit Stainless Model
	W10653470	Stainless		W11406593	White			
4	489357	Screw		W11406601	Black			
5		Gasket, Door		W11406605	Beige			
	W11406596	White		W11406598	Grey			
	W11406604	Black	13	8281206	Screw			
	W11406608	Beige	14	2189202	Bracket, Door Stop			
	W11406600	Grey	15	489276	Screw			
6	W11230196	Trim, Door	16	2188236	Door, Flip Up			

UNIT PARTS

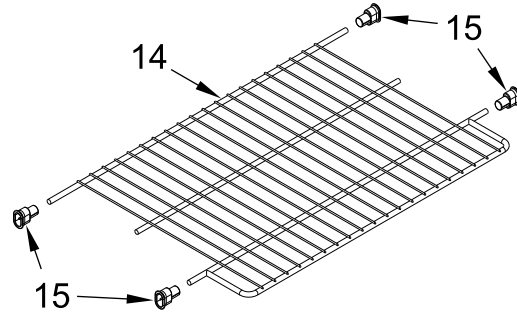
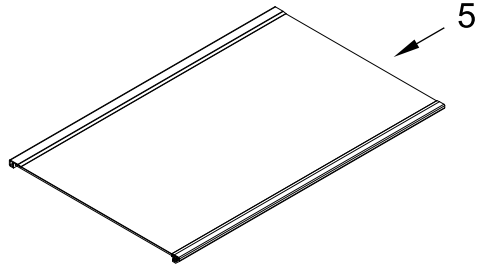


UNIT PARTS

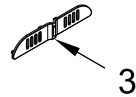
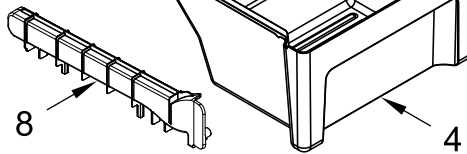
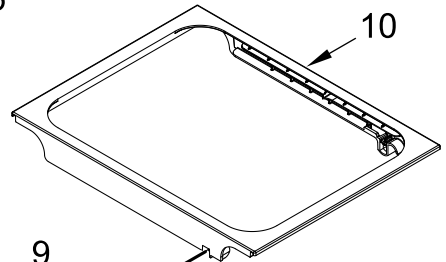
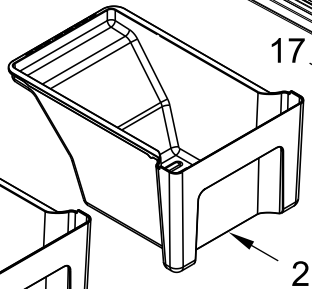
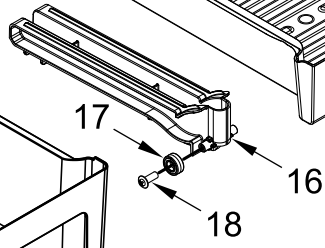
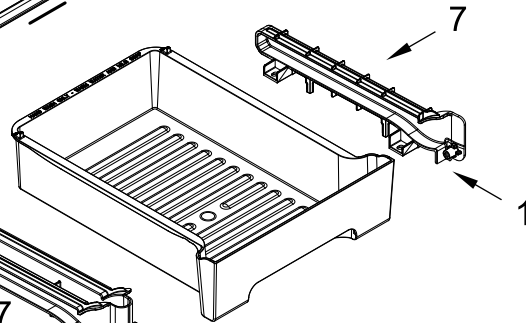
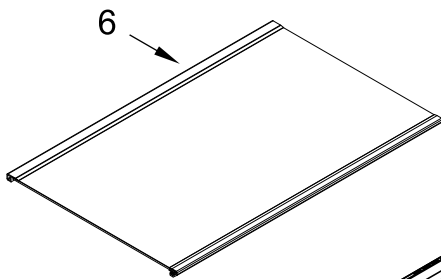
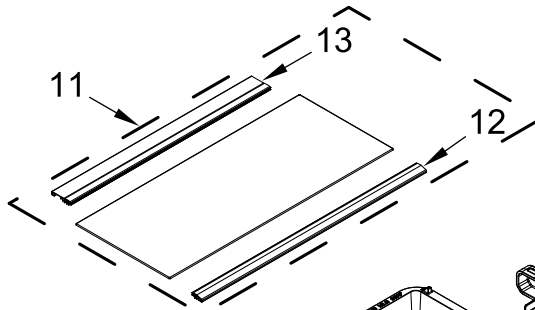
<u>Illus.</u> <u>No.</u>	<u>Part No.</u>	<u>Description</u>	<u>Illus.</u> <u>No.</u>	<u>Part No.</u>	<u>Description</u>	<u>Illus.</u> <u>No.</u>	<u>Part No.</u>	<u>Description</u>
1	W11396825	Baseplate	9	2219077	Clip, Harness	25	489478	Screw
2	W10802027	Tray, Drain	10	W10236396	Strap, Compressor	26	W11565815	Tube, Process
3	W10609393	Condenser (Also Order the Following Lokring Parts)	11	W11430967	Harness, Unit	27	489442	Screw
	W11574641	Connector (7 mm to 4.5 mm, Brass) (High Side to Condenser)	12	2263990	Tie, Wire	28	W11603525	Compressor (Also Order the Following Lokring Parts)
	W11506624	4 NK MS 00 (Suction Line to Condenser)	14	10835903	Grommet	W11506619	8 NK MS 00 (Suction Tube to Compressor)	
4	W11340898	Heater, Defrost	15	W11503892	Device, Start	W11574641	Connector (7 mm to 4.5 mm, Brass) (High Pressure Side to Compressor)	
5	W11282685	Assembly, Evaporator (Also Order the Following Lokring Parts)	16	W10815861	Clip, Bottom Cover	W11506619	8 NK MS 00 (Process Tube to Compressor)	
	W11504450	4/1.8 NR MS 00 (Capillary Tube to Evaporator)	17	W10475495	Roller	29	W10817071	Blade, Fan
	W11506619	8 NK MS 00 (Suction Line to Evaporator)	18	2179826	Axle, Rivet	30	W10248621	Clip, Condenser
6	W11567980	Tube, Suction	19	W10590083	Capacitor	31	2171931	Body, Valve Tube
7	W11377819	Heat Shield	20	2326941	Clip, Wire	32	2215468	Insulation, Sound
8	W11602682	Strap, Bale	21	W11340313	Bracket, Evaporator	33	W11577795	Tube, Drain
			22	W10622701	Screw	34	W11399989	Heat Probe REFRIGERANT CHARGE 48 grams (R600a)
			23	W10909387	Motor, Condenser Fan			
			24	W10805035	Drier (Service Drier Without Dye) (Also Order the Following Lokring Parts)			
				W11504445	5/4 NR MS 00 (Heat Loop to Drier)			
				W11504447	5/1.8 NR MS 00 (Capillary Tube to Drier)			

SHELF PARTS

FREEZER



REFRIGERATOR



SHELF PARTS

<u>Illus.</u> <u>No.</u>	<u>Part No.</u>	<u>Description</u>
1	W10714006	Pan, Meat
2	W10662133	Pan, Crisper
3	W10356844	Control, Humidity
4	W10663427	Pan, Crisper 16"
5	W11553156	Assembly, Shelf
6	W11553155	Assembly, Shelf RC
7	W10694151	Track Rail, Right Hand

<u>Illus.</u> <u>No.</u>	<u>Part No.</u>	<u>Description</u>
8	W10694149	Track Rail, Left Hand
9	W10628712	Axle, Roller
10	W10628698	Holder, Meat Pan
11	W10691487	Assembly, Shelf
12	W10691528	Trim, Shelf Front
13	W10691529	Trim, Shelf Rear
14	W10477093	Shelf, Wire

<u>Illus.</u> <u>No.</u>	<u>Part No.</u>	<u>Description</u>
15	W10130299	Cup, Shelf
16	W10694150	Rail, Center Track
17	W10628713	Roller, Pan
18	3400065	Screw (Stainless)

OPTIONAL PARTS

<u>Illus. No.</u>	<u>Part No.</u>	<u>Description</u>
		FOLLOWING PARTS NOT ILLUSTRATED
		PAINT, TOUCH-UP (1/2oz.)
	72017	White
	72032	Black
	4392899	Biscuit and Bisque
W10134625		Apollo Grey PAINT, PRESSURIZED SPRAY (12 oz.)
	350942	White Primer
	350939	Enamel, Black
	350930	White
	4392901	Biscuit and Bisque
		Important: The spray paint is not to be used where the paint may make contact with the door gaskets.
		PAINT, BULK (1 qt.)
	799344	White (Uncut)
	4392900	Biscuit/Bisque
		Important: The spray paint is not to be used where the paint may make contact with the door gaskets.
		ICE MAKER FIELD INSTALLABLE
W11517113		Complete Ice Maker Kit
		TORX SCREW WRENCH
	1117510	Torx Key