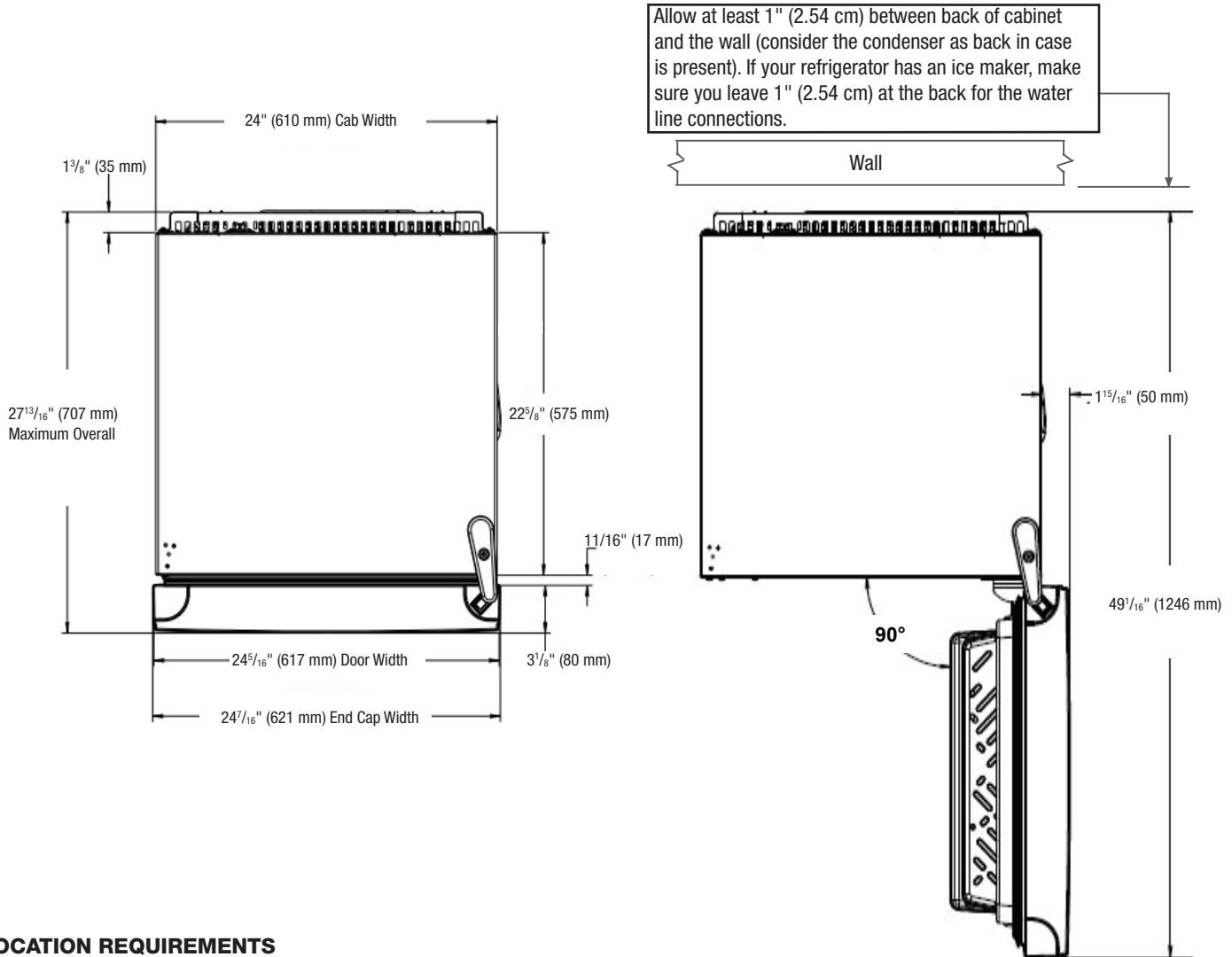


Model Size	Height Overall "A"	Overall Cab Height (Including Rollers) "B"	Overall Top Door Freezer to Rollers "C"	Refrigerator Door Height "D"	Freezer Door Height	Cabinet Width	Middle of the Freezer
WRT112CZJB WRT112CZJW WRT112CZJZ WRT312CZJB WRT312CZJV WRT312CZJW WRT312CZJZ	61 ⁹ / ₁₆ " (1563 mm)	60 ⁵ / ₈ " (1540 mm)	61 ⁷ / ₁₆ " (1560 mm)	38 ¹ / ₂ " (978 mm)	20 ³ / ₄ " (527 mm)	24" (610 mm)	50" (1270 mm)

Note: Millimeter dimensions are actual. Fractional inch dimensions are derived by rounding off to the nearest 1/16 inch.



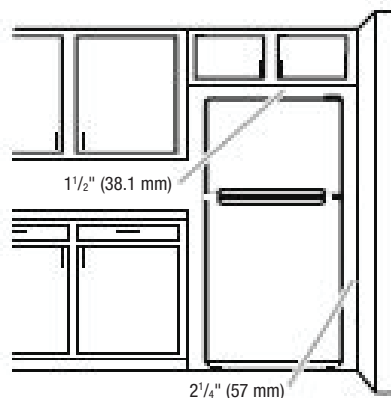
LOCATION REQUIREMENTS

⚠ WARNING

Explosion Hazard

Keep flammable materials and vapors, such as gasoline, away from refrigerator.

Failure to do so can result in death, explosion, or fire.

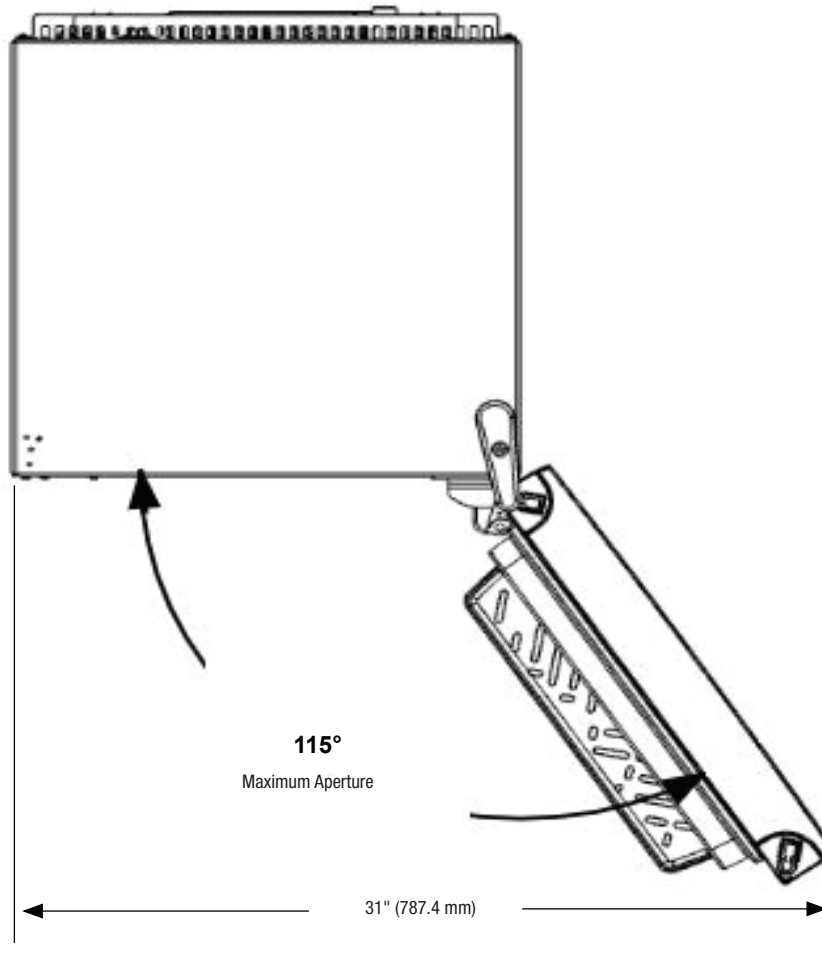


To ensure proper ventilation for your refrigerator, it is recommended to allow a 1/2" (1.27 cm) space on each side. Allow 1 1/2" (3.81 cm) of space between overhead cabinets and refrigerator top. Allow at least 1" (2.54 cm) between back of cabinet and the wall (consider the condenser as back in case is present). If your refrigerator has an ice maker, make sure you leave extra space at the back for the water line connections.

If you are installing your refrigerator next to a fixed wall, leave 2 1/4" (5.7 cm) on the hinge side to allow the door to swing open. This space on the hinge side also allows for crisper removal when the door is fully swung open.

NOTE: This refrigerator is intended for use in a location where the temperature ranges from a minimum of 13°C (55°F) to a maximum of 43°C (110°F). The preferred room temperature range for optimum performance, which reduces electricity usage and provides superior cooling, is between 15°C (60°F) and 32°C (90°F). It is recommended that you do not install the refrigerator near a heat source, such as an oven or radiator.

Because Whirlpool Corporation policy includes a continuous commitment to improve our products, we reserve the right to change materials and specifications without notice. Dimensions are for planning purposes only. For complete details, see Installation Instructions packed with product. Specifications subject to change without notice.



⚠ WARNING

Electrical Shock Hazard

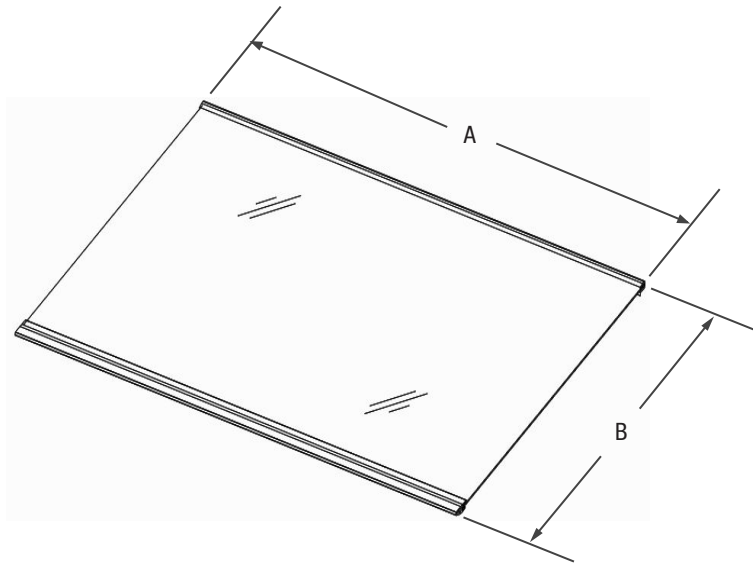
- Plug into a grounded 3 prong outlet.**
- Do not remove ground prong.**
- Do not use an adapter.**
- Do not use an extension cord.**
- Failure to follow these instructions can result in death, fire, or electrical shock.**

Electrical: A 115 V, 60 Hz., AC only, 15 A or 20 A fused, grounded electrical supply is required. It is recommended that a separate circuit serving only your refrigerator be provided. Use an outlet that cannot be turned off by a switch. Do not use an extension cord.

NOTE: Before performing any type of installation, cleaning, or removing a light bulb, turn the control (Thermostat, Refrigerator or Freezer Control depending on the model) to OFF and then disconnect the refrigerator from the electrical source. When you are finished, reconnect the refrigerator to the electrical source and reset the control (Thermostat, Refrigerator or Freezer Control depending on the model) to the desired setting. See "Using the Controls."

Water: A cold water supply with water pressure between 30 psi and 120 psi (207 kPa and 827 kPa) is required to operate ice maker and water dispenser. If you have questions about your water pressure, call a licensed, qualified plumber.

IMPORTANT: The pressure of the water coming out of a reverse osmosis system going to the water inlet valve of the refrigerator needs to be between 30 psi and 120 psi (207 kPa and 827 kPa). Reverse Osmosis Water Supply: If a reverse osmosis water filtration system is connected to your cold water supply, the water pressure to the reverse osmosis system needs to be a minimum of 40 psi to 60 psi (276 kPa to 414 kPa).



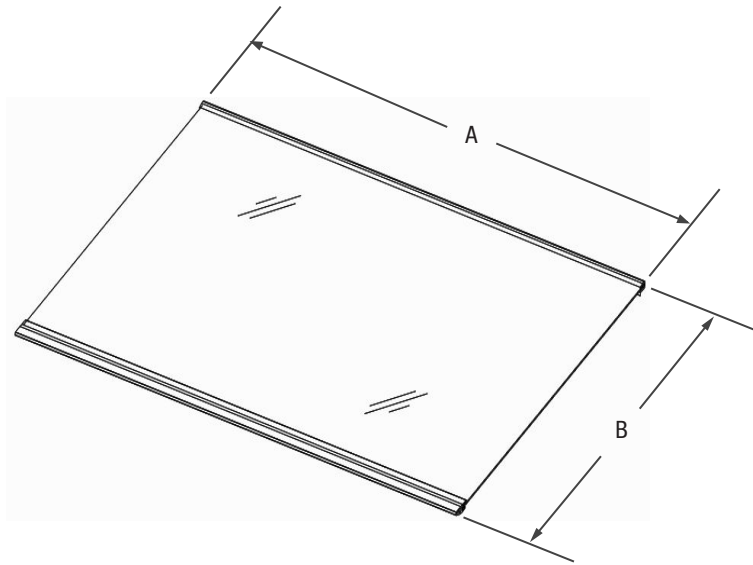
Models: WRT312CZJB, WRT312CZJV, WRT312CZJW, WRT312CZJZ

Freezer Shelves

Refrigerator Compartment Features			
Description	Width "A"	Depth "B"	Height "C"
FREEZER GLASS SHELF TM CHROME	18 ³ / ₁₆ " (462 mm)	11" (279.19 mm)	N/A

Refrigerator Shelves

Refrigerator Compartment Features			
Description	Width "A"	Depth "B"	Height "C"
BOTTOM GLASS SHELF ASSY CHROME	20 ¹ / ₄ " (514 mm)	17 ⁹ / ₁₆ " (446.02 mm)	N/A
REFRIGERATOR GLASS SHELF STANDARD CHROME	20 ¹ / ₄ " (514 mm)	15 ¹ / ₁₆ " (382.49 mm)	N/A



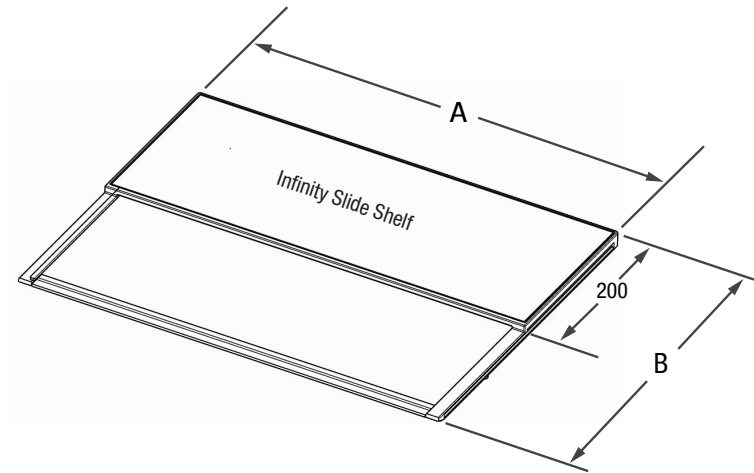
Models: WRT112CZJB, WRT112CZJW, WRT112CZJZ

Freezer Shelves

Refrigerator Compartment Features			
Description	Width "A"	Depth "B"	Height "C"
FREEZER GLASS SHELF TM	18 ³ / ₁₆ " (462 mm)	11" (279.19 mm)	N/A

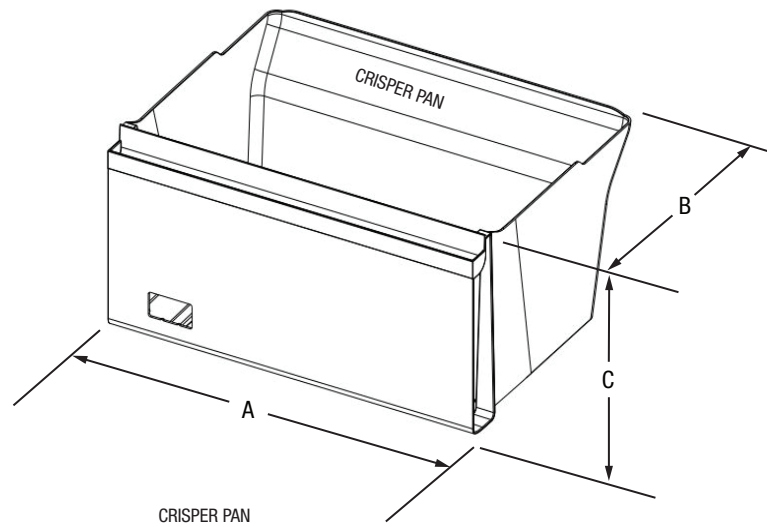
Refrigerator Shelves

Refrigerator Compartment Features			
Description	Width "A"	Depth "B"	Height "C"
REFRIGERATOR GLASS SHELF STANDARD	20 ¹ / ₄ " (514 mm)	15 ¹ / ₁₆ " (382.49 mm)	N/A
BOTTOM GLASS SHELF ASSY STANDARD	20 ¹ / ₄ " (514 mm)	17 ⁹ / ₁₆ " (446.02 mm)	N/A



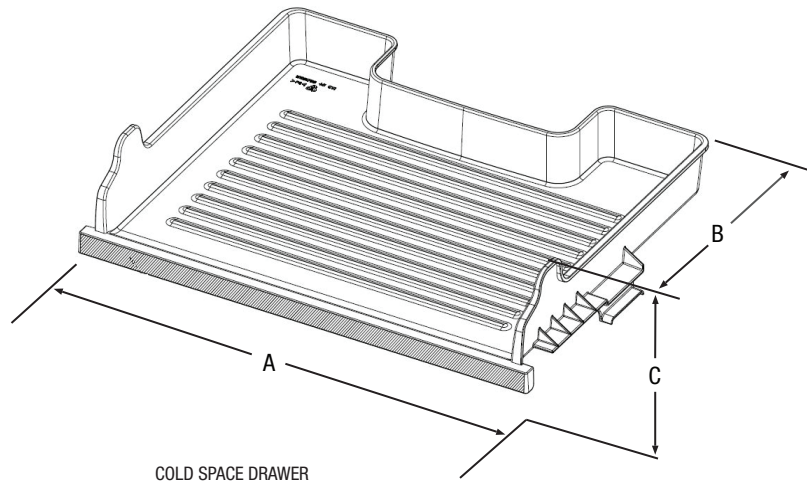
Models: WRT312CZJB, WRT312CZJV, WRT312CZJW, WRT312CZJZ

Refrigerator Compartment Features			
Description	Width "A"	Depth "B"	Height "C"
Infinity Slide Shelf	20 ¹ / ₄ " (513.6 mm)	15 ¹ / ₁₆ " (382.8 mm)	



Models: WRT112CZJB, WRT112CZJW, WRT112CZJZ, WRT312CZJB, WRT312CZJV, WRT312CZJW, WRT312CZJZ

Refrigerator Compartment Features			
Description	Width "A"	Depth "B"	Height "C"
CRISPER PAN	19 ¹³ / ₁₆ " (502.5 mm)	15 ⁵ / ₁₆ " (389.6 mm)	10 ¹⁵ / ₁₆ " (277.3 mm)



Models: WRT312CZJB, WRT312CZJV, WRT312CZJW, WRT312CZJZ

Refrigerator Compartment Features			
Description	Width "A"	Depth "B"	Height "C"
COLD SPACE DRAWER	20 ¹ / ₄ " (513.9 mm)	15 ⁵ / ₈ " (397.5 mm)	3 ³ / ₄ " (95.8 mm)