



# 18 cu. ft. Top-Freezer Refrigerator

## WRT318FZD



Monochromatic Stainless Steel  
WRT318FZDM

### Also available in:



White

**WRT318FZDW**



Black

**WRT318FZDB**

### Capacity

|                       |            |
|-----------------------|------------|
| Total Capacity        | 18 cu. ft. |
| Refrigerator Capacity | 13 cu. ft. |
| Freezer Capacity      | 5 cu. ft.  |

### General Features & Properties

Freezer Temperature Controls

Frameless Glass Shelves

EZ Connect Icemaker Kit

ADA Compliant

#1 Selling Appliance Brand in the U.S.A.\*

### Electrical Details

|       |     |
|-------|-----|
| Amps  | 6.5 |
| Volts | 115 |

### Certifications

|               |     |
|---------------|-----|
| ADA Compliant | Yes |
|---------------|-----|

### Technical Details

|   |              |
|---|--------------|
| Refrigerator Type                       | Top-Freezer  |
| Number of Doors                         | 2            |
| Number of Interior Refrigerator Shelves | 3            |
| Number of Refrigerator Door Bins        | 5 Fixed      |
| Number of Interior Freezer Shelves      | 1            |
| Number of Freezer Door Bins             | 2 Fixed      |
| Lighting Type                           | Incandescent |
| Ice Maker                               | Optional     |
| Ice Maker Location                      | Freezer      |
| Dispenser Type                          | N/A          |

### Dimensions

|                                |   |
|--------------------------------|---|
| Product Dimensions (H x W x D) | 65-7/8" x 29-3/4" x 33-1/2"                                 |
| Depth with Door Open 90°       | 59-3/4"   |
| Cutout Dimensions              | Allow extra 1/2" on sides and top<br>Allow extra 1" on rear |

### Reference Material

[Dimension Guide](#)

[Install Guide](#)

[Use & Care Guide](#)

[Energy Guide](#)

[Warranty](#)

### Key Features & Benefits

#### Flexi-Slide™ Bin

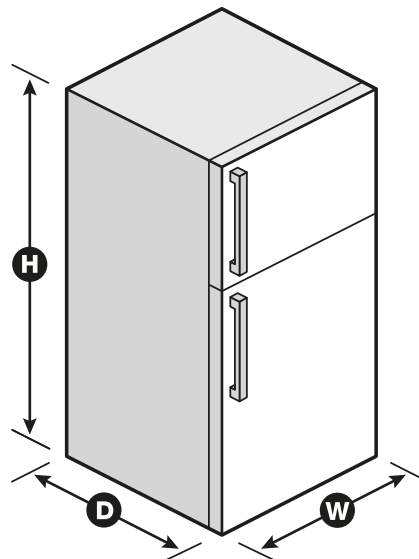
Make space for tall items with the bin that quickly and easily moves side to side.

#### Quiet Cooling

Keep noise down in the kitchen with quiet cooling.

#### Electronic Temperature Controls

Choose the ideal temperature for whatever foods you're storing with up-front controls.



\*Based on 12-month average of unit sales. Refrigeration, Cooking, Dishwashers and Laundry appliances. TraQline 2018. NOTE: Dimensions are for planning purposes only. For complete details, see Installation Instructions packed with product. Specifications subject to change without notice. ©/™ © 2020. All rights reserved. Printed in the U.S.A. D200052XXC. WRT318FZDSPECSHEETV01.