

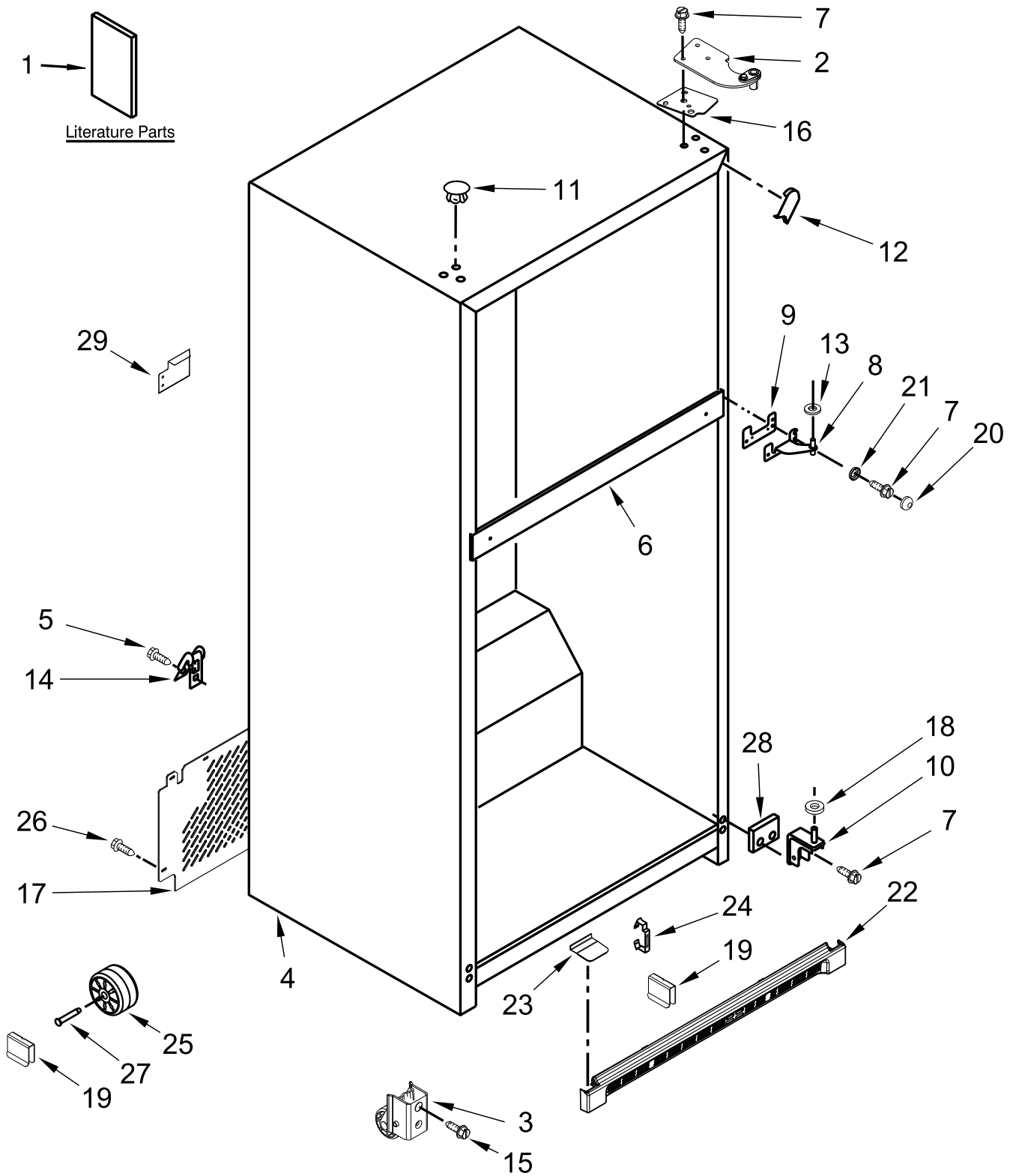


REFRIGERATOR

MODELS:

WRT541SZHV03 (Black Stainless)

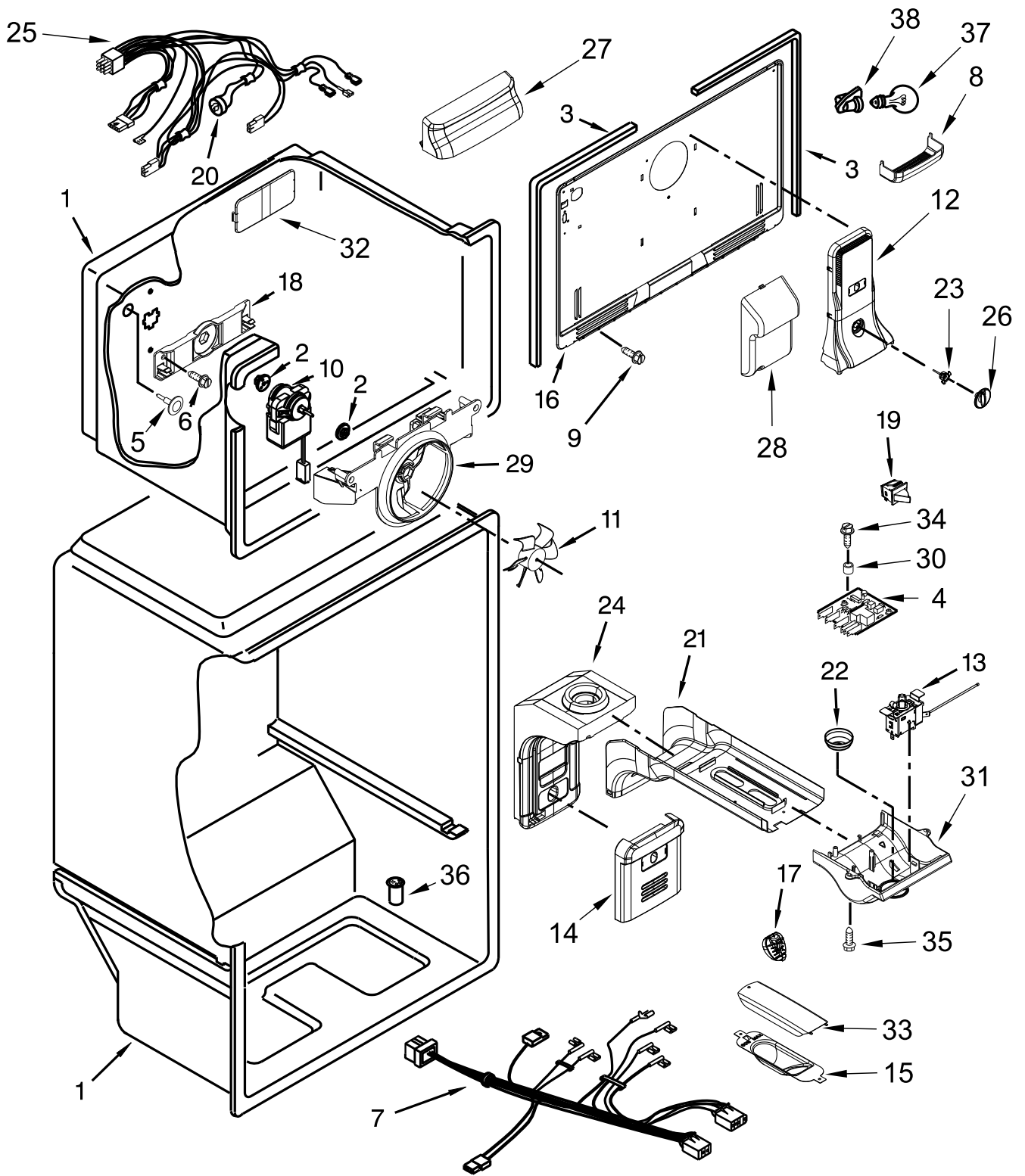
CABINET PARTS



CABINET PARTS

<u>Illus.</u> <u>No.</u>	<u>Part No.</u>	<u>Description</u>	<u>Illus.</u> <u>No.</u>	<u>Part No.</u>	<u>Description</u>	<u>Illus.</u> <u>No.</u>	<u>Part No.</u>	<u>Description</u>
1		Literature Parts	11		Plug, Hole	22		Grille
	W11730698	Use & Care Guide		W10520305	Black		W10592142	Black
	W11644019	Energy Guide	12		Filler, Wrapper	23		Cover, Toe Grille
2	W11656390	Assembly, Top Right Hinge		W11219641	Black		W10468609	Black
3	W10725960	Assembly, Roller	13	489341	Washer, Plastic	24	2254385	Clip, Grille
4		Cabinet (Not Serviced)	14	W11242280	Clamp, Power Cord	25	W10475495	Roller
5	489442	Screw	15	W10142287	Screw	26	2262176	Screw
6		Rail, Center (Not Serviced)	16	W11656515	Shim, Top Hinge	27	2179826	Axle, Rivet
7	489497	Screw	17	W11307290	Cover, Unit	28	2201567	Shim, Hinge (Bottom)
8	2254618	Hinge, Center	18	487576	Washer, Plastic	29	W11458717	Access Cover, Valve
9	2183852	Shim, Hinge Center	19	2174706	Clip, Roller			
10	2254473	Hinge, Bottom	20		Cap, Dome			
				W10679135	Black			
			21	W10674773	Cap, Washer Dome			

LINER PARTS

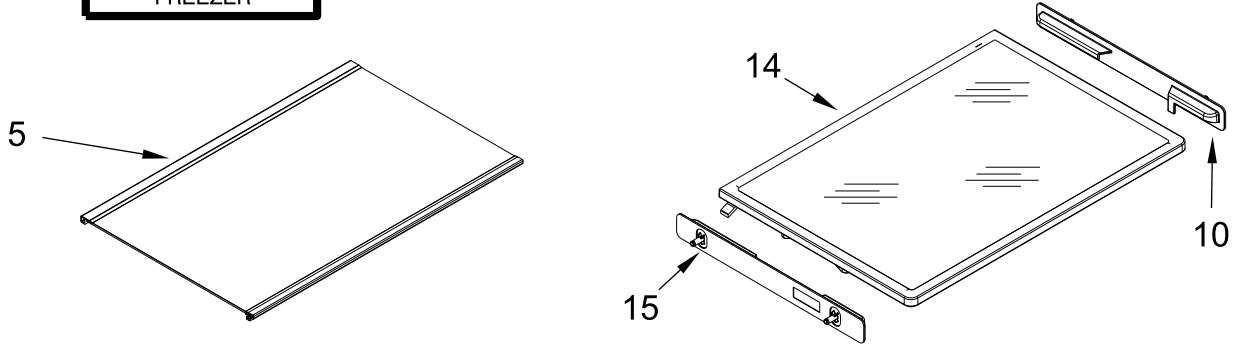


LINER PARTS

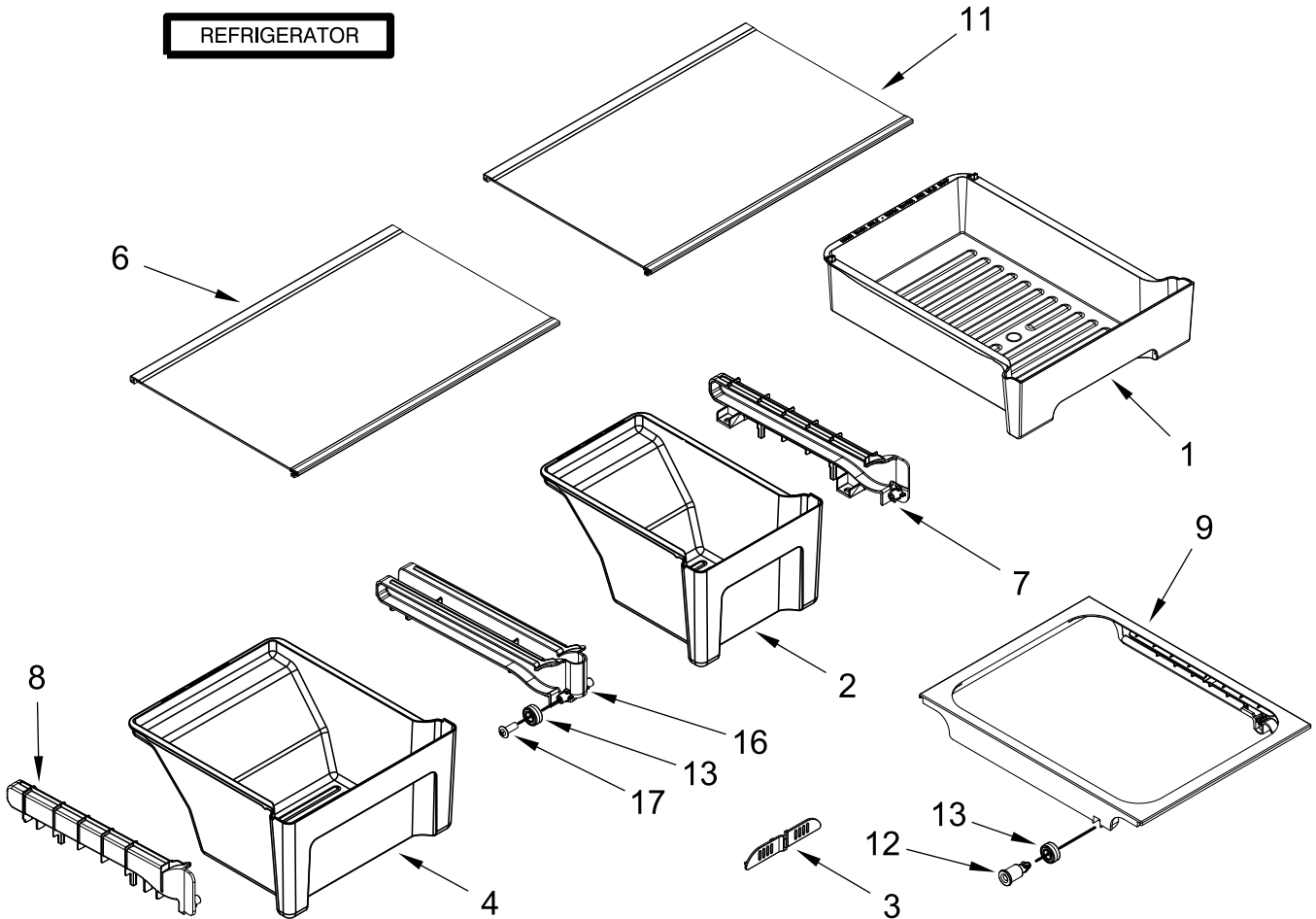
<u>Illus. No.</u>	<u>Part No.</u>	<u>Description</u>	<u>Illus. No.</u>	<u>Part No.</u>	<u>Description</u>	<u>Illus. No.</u>	<u>Part No.</u>	<u>Description</u>
1		Liner (Not Serviced)	14	W10609502	Cup, Air Diffuser	27	W10313917	Housing, Freezer Lighting
2	2197380	Grommet	15	W10300161	Shield, Light	28	W11341625	Cover, Water Tube
3	2254360	Gasket, Evaporator Cover	16	W11515911	Cover, Evaporator	29	W10321162	Bracket, Fan Motor
4	W11438735	Adaptive Defrost Control	17	W11429584	Module, LED	30	W10418502	Spacer
5		Hole Plug	18	2254454	Bracket, Evaporator Fan Rear	31	W10316941	Box, Control
	941839	White	19	W11514900	Switch, Light	32	W10336009	Cup, Screw
6	488208	Screw	20		Bi-Metal Defrost (Not Serviced)	33	W10348614	Cover, Light
7	W11476624	Wire Assembly, Control Box	21	W10305175	Cover, Air Diffuser	34	W10141596	Screw
8	W10313918	Lens, Light	22	W10716304	Knob, Control	35	489174	Screw
9	W10142283	Screw (White)	23	W10662269	Baffle, Air Manual	36	2210509	Valve, Release
10	2315539	Motor, Evaporator Fan	24	W10883330	Assembly, Multiflow	37	W11160686	Lamp, LED
11	2200509	Blade, Fan	25	W11314511	Assembly, Evaporator Fan Wire (Includes Defrost Bi-Metal)	38	W10440814	Socket, Light
12	W10654834	Assembly, Air Tower (FC)	26	W10570952	Knob, Air Control			
13	W11514634	Assembly, Thermostat						

SHELF PARTS

FREEZER



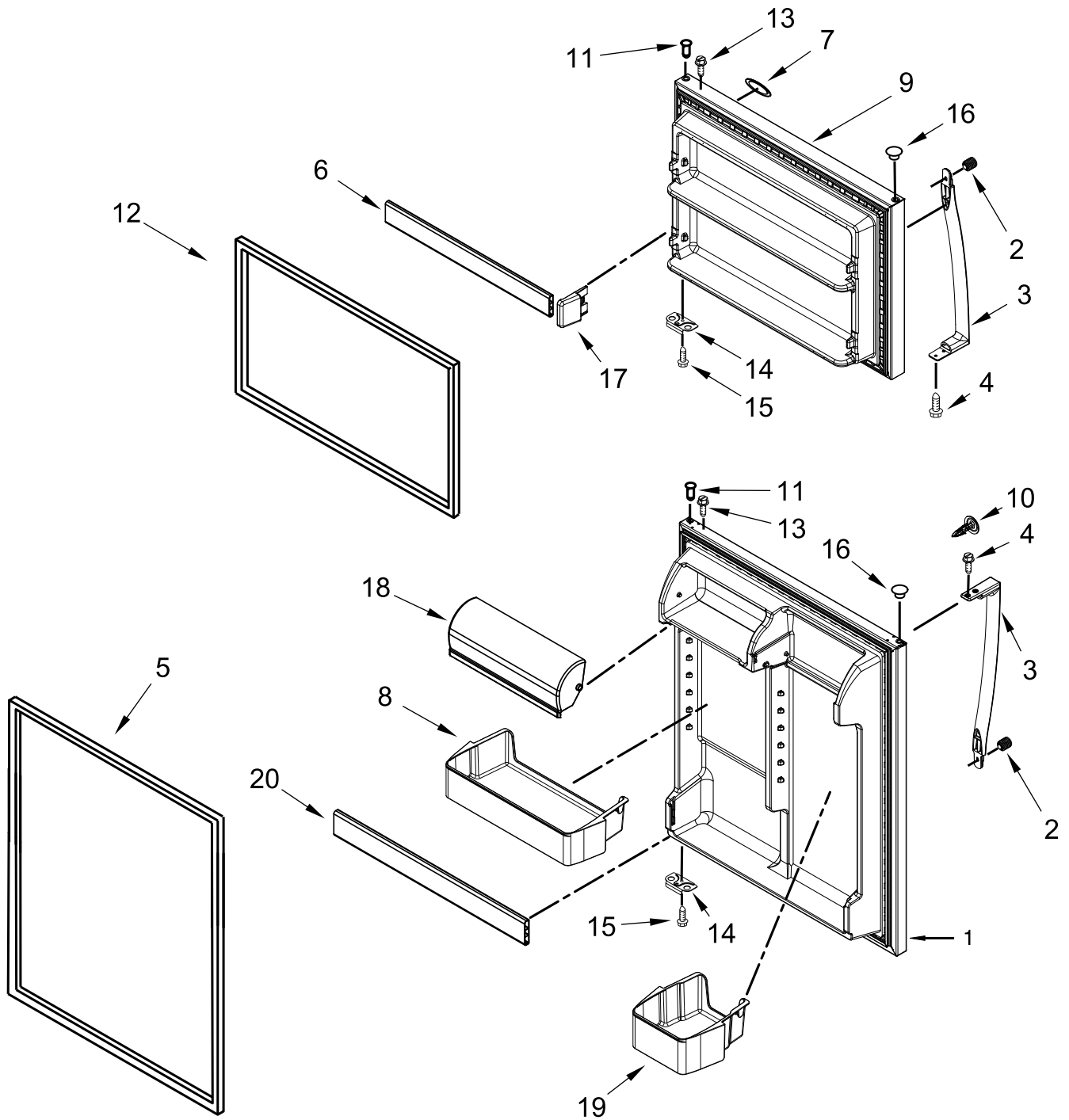
REFRIGERATOR



SHELF PARTS

<u>Illus.</u> <u>No.</u>	<u>Part No.</u>	<u>Description</u>	<u>Illus.</u> <u>No.</u>	<u>Part No.</u>	<u>Description</u>	<u>Illus.</u> <u>No.</u>	<u>Part No.</u>	<u>Description</u>
1	W10714006	Pan, Meat	9	W10628698	Holder, Meat Pan	16	W10694150	Rail, Center Track
2	W10662133	Pan, Crisper	10	W11395921	Support, Freezer Shelf (Right Side)	17	3400065	Screw (Stainless)
3	W10356844	Control, Humidity	11	W10691487	Assembly, Shelf			
4	W10663427	Pan, Crisper 16"	12	W10628712	Axle, Roller			
5	W11553156	Assembly, Shelf	13	W10628713	Roller, Pan			
6	W11553155	Assembly, Shelf RC	14	W10486291	Shelf, Freezer Glass			
7	W10694151	Track Rail, Right Hand	15	W11395919	Support, Freezer Shelf (Left Side)			
8	W10694149	Track Rail, Left Hand						

DOOR PARTS



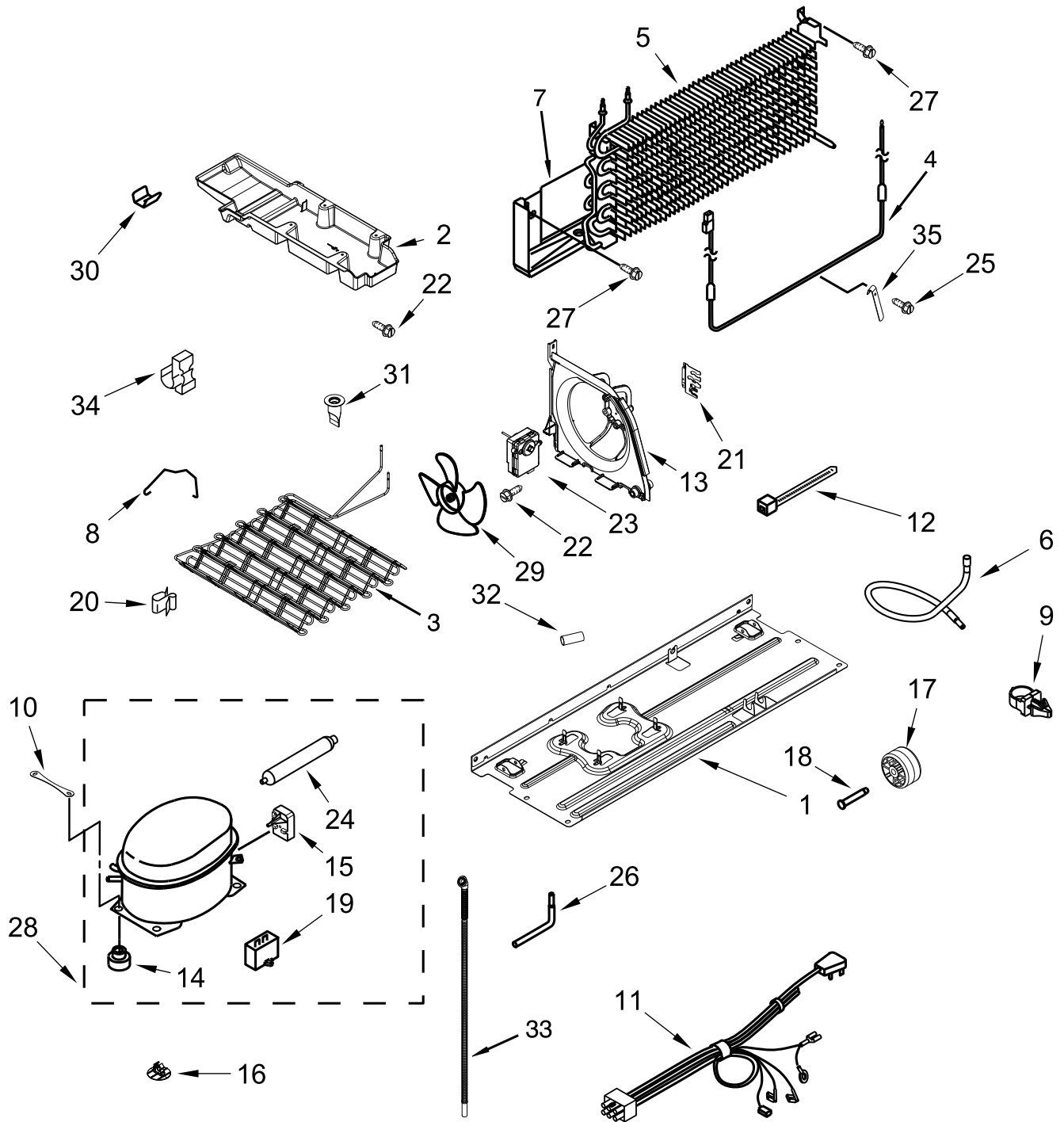
DOOR PARTS

<u>Illus. No.</u>	<u>Part No.</u>	<u>Description</u>
1		Refrigerator Door (Includes Door Gasket)
	W11041496	Black Stainless
2	W10511911	Bushing, Handle
3		Handle, Door
	W11041889	Black Stainless
4	489357	Screw
5		Gasket, Door
	W11406604	Black
6	W10592150	Trim, Door
7	W10884775	Badge
8	W10308868	Bin, Large Door

<u>Illus. No.</u>	<u>Part No.</u>	<u>Description</u>
9		Freezer Door (Includes Door Gasket)
	W11041497	Black Stainless
10		Plug, Hole
	W10663737	Black
11		Thimble
	W10334042	Black
12		Gasket, Door
	W11406601	Black
13	8281206	Screw
14	2189202	Bracket, Door Stop
15	489276	Screw

<u>Illus. No.</u>	<u>Part No.</u>	<u>Description</u>
16		Plug, Hinge Sleeve
	2212651	Black
17	W10592153	Cap, Trim End
18	W10601425	Compartment, Door
19	W10308869	Bin, Medium
20	W10592148	Trim, Door

UNIT PARTS



UNIT PARTS

<u>Illus. No.</u>	<u>Part No.</u>	<u>Description</u>	<u>Illus. No.</u>	<u>Part No.</u>	<u>Description</u>	<u>Illus. No.</u>	<u>Part No.</u>	<u>Description</u>
1	W11396825	Baseplate	12	2263990	Tie, Wire	28	W11332033	Compressor
2	W10802027	Tray, Drain	13	W11509373	Bracket, Condenser Fan		W11506619	8 NK MS 00 (Suction Tube to Compressor)
3	W10609393	Condenser (Also Order the Following Lokring™ Parts)	14	W10806346	Grommet, Compressor		W11574641	Connector (7 mm to 4.5 mm, Brass) (High Pressure Side to Compressor)
	W11574641	Connector (7 mm to 4.5 mm, Brass) (High Side to Condenser)	15	W11359381	Device, Combination Start (Start Relay and Overload)		W11506619	8 NK MS 00 (Process Tube to Compressor)
	W11506624	4 NK MS 00 (Suction Line to Condenser)	16	W10815861	Clip, Bottom Cover	29	W10817071	Blade, Fan
4	W11340898	Heater, Defrost	17	W10475495	Roller	30	W10248621	Clip, Condenser
5	W11282685	Assembly, Evaporator (Also Order the Following Lokring™ Parts)	18	2179826	Axle, Rivet	31	W10519112	Valve, Drain
	W11504450	4/1.8 NR MS 00 (Capillary Tube to Evaporator)	19	W10590083	Capacitor	32	2215468	Insulation, Sound
	W11506619	8 NK MS 00 (Suction Line to Evaporator)	20	939054	Clip, Wire	33	W11577795	Tube, Drain
6	W11518248	Tube, Suction	21	W11340313	Bracket, Evaporator	34	2326941	Clip, Wire
7	W11377819	Heat Shield	22	W10622701	Screw	35	W11399989	Heat Probe REFRIGERANT CHARGE 47 grams (R600A)
8	W11495051	Strap, Bale	23	W11505535	Motor, Condenser Fan			
9	2219077	Clip, Harness	24	W10805035	Drier (Service Drier Without Dye) (Also Order the Following Lokring™ Parts)			
10	W10236396	Strap, Compressor		W11504445	5/4 NR MS 00 (Heat Loop to Drier)			
11	W11430967	Harness, Unit		W11504447	5/1.8 NR MS 00 (Capillary Tube to Drier)			
			25	489478	Screw			
			26	2174739	Tube, Process			
			27	489442	Screw			

OPTIONAL PARTS

<u>Illus.</u> <u>No.</u>	<u>Part No.</u>	<u>Description</u>
		FOLLOWING PARTS NOT ILLUSTRATED
	505587	Sealer, Mastic (1 Qt)
	978941	Insulation, Fiberglass (63 1/2" x 35 1/2" x 2 5/8")
	876370	Insulation (2 Pieces, 3" x 24" x 48")
	876029	Kit, Foam Slab (30" x 32 1/2" x 1 1/2")
	606755	Bag
	479502	Tape, Vinyl (3/4 x 108")
	542638	Grease, Silicone (1/2 Oz.)
	212643	Sealer, Gum (4 Feet)
	542639	Cement, Alumilastic (1 1/4 Oz.)
	511873	White Porcelain (2 oz.)
	8003RP	Kit, Water Inlet
	876305	Insulation Kit (14 Pieces, 3" x 24" x 48")
	503695	Cork, Sealer
	833938	Kit, Terminal Connector
		PAINT, TOUCH-UP (1/2oz.)
	72017	White
	72032	Black
	4392899	Biscuit and Bisque
W10134625	Apollo Grey	
		PAINT, PRESSURIZED SPRAY (12 oz.)
	350942	White Primer
	350939	Enamel, Black
	350930	White
	4392901	Biscuit and Bisque
		Important: The spray paint is not to be used where the paint may make contact with the door gaskets.
		PAINT, BULK (1 qt.)
	799344	White (Uncut)
	4392900	Biscuit/Bisque
		TORX SCREW WRENCH
	1117510	Torx Key
		ICE MAKER FIELD INSTALLABLE
W11698621	Complete Ice Maker Kit	