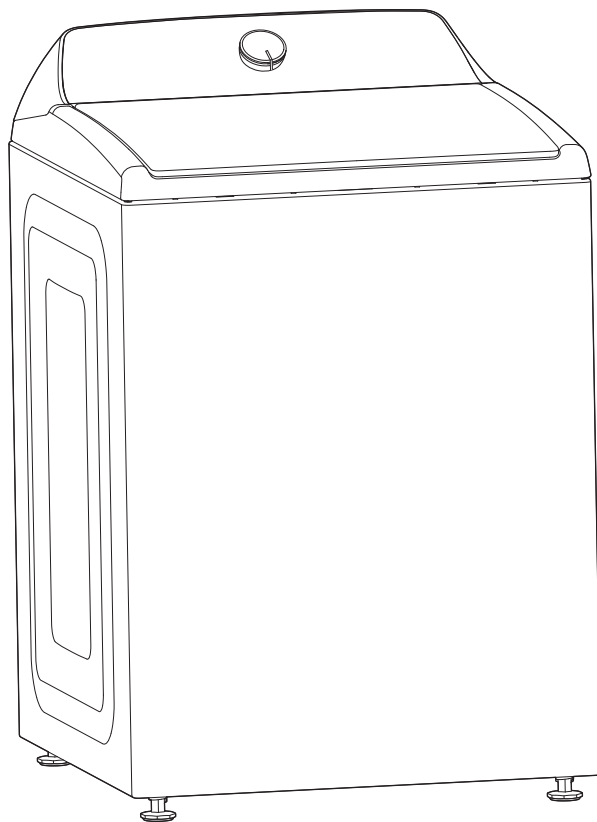




Dimension Guide

Whirlpool® Top Load Washer

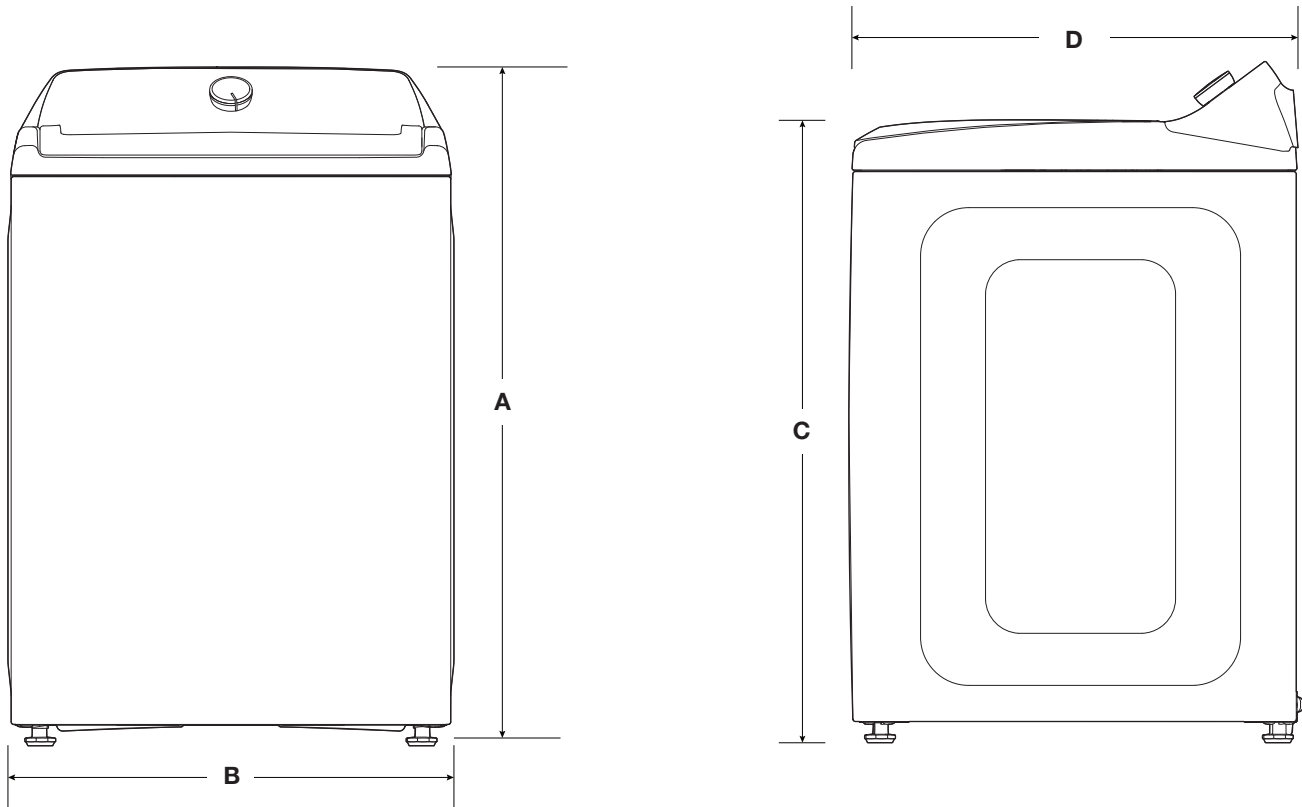
WTW5015LW, WTW5010LW
WTW5057LW, 7MWTW5017MW
7MWTW5057MW, WTW5020SW
WTW5025SW



DETAILED PLANNING DIMENSIONS

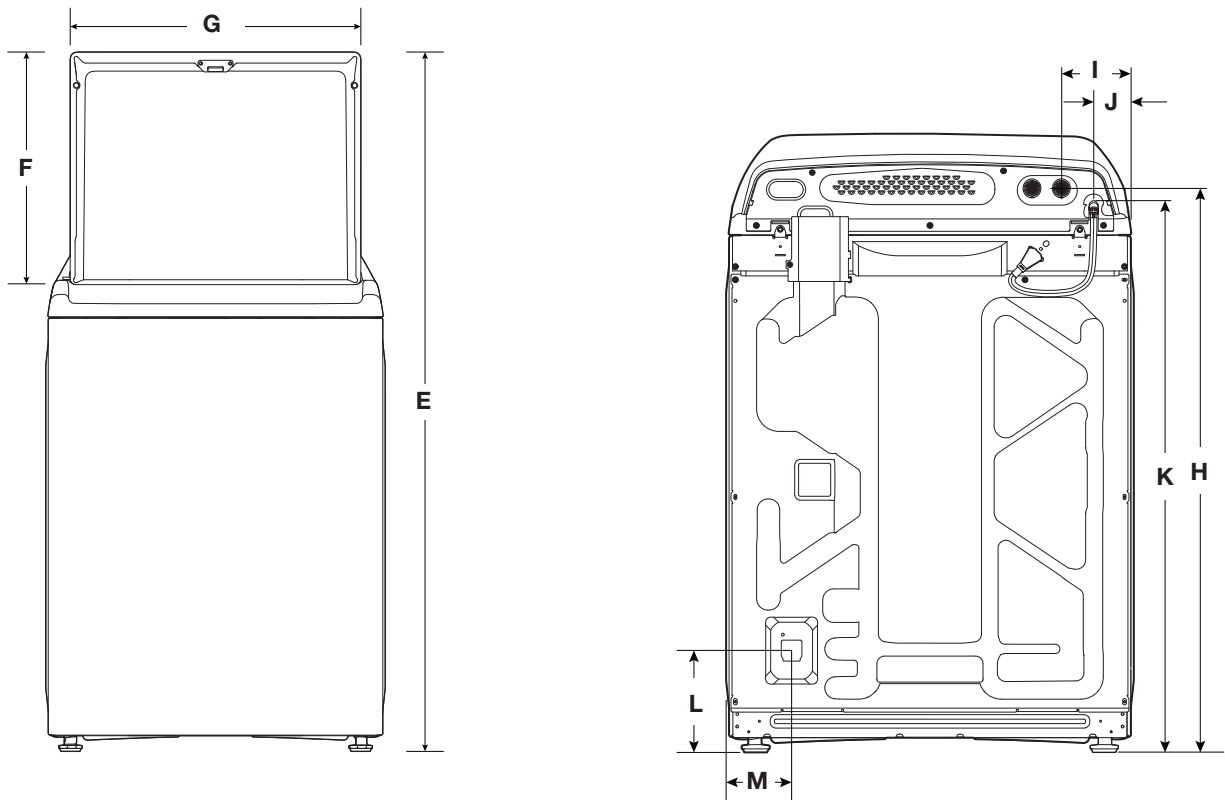
WARNING: To reduce the risk of fire, electric shock, or injury to persons, read the IMPORTANT SAFETY INSTRUCTIONS and INSTALLATION INSTRUCTIONS, located in your appliance's Owner's Manual, before installing and operating this appliance.

Electrical Requirements	
WTW5015LW - 4.5 cu ft DOE (US), 5.2 cu ft IEC (CAN)	
WTW5010LW - 4.6 cu ft DOE (US), 5.3 cu ft IEC (CAN)	
WTW5057LW - 4.7 cu ft / 4.8 cu ft DOE (US), 5.4 cu ft / 5.5 cu ft IEC (CAN)	
7MWTW5017MW - 4.5 cu ft DOE (US), 5.2 cu ft IEC (CAN)	
7MWTW5057MW - 4.7 cu ft DOE (US), 5.4 cu ft IEC (CAN)	
WTW5020SW - 4.6 cu ft DOE (US), 5.3 cu ft IEC (CAN)	
WTW5025SW - 4.5 cu ft DOE (US), 5.2 cu ft IEC (CAN)	
Minimum Circuit Amperage Rating	15 A
Operating Voltage	120 VAC only
Operating Frequency	60 Hz



Product Dimensions					
WTW5015LW, WTW5010LW, WTW5057LW, 7MWTW5017MW, 7MWTW5057MW, WTW5020SW, WTW5025SW					
		in (minimum)	mm (minimum)	in (maximum)	mm (maximum)
A	Height (with feet)	41½	1048	42¼	1074
B	Width	27¾	683	-	-
C	Top of Lid Height (with feet)	38½	962	38⅔	982
D	Depth	27	692	-	-

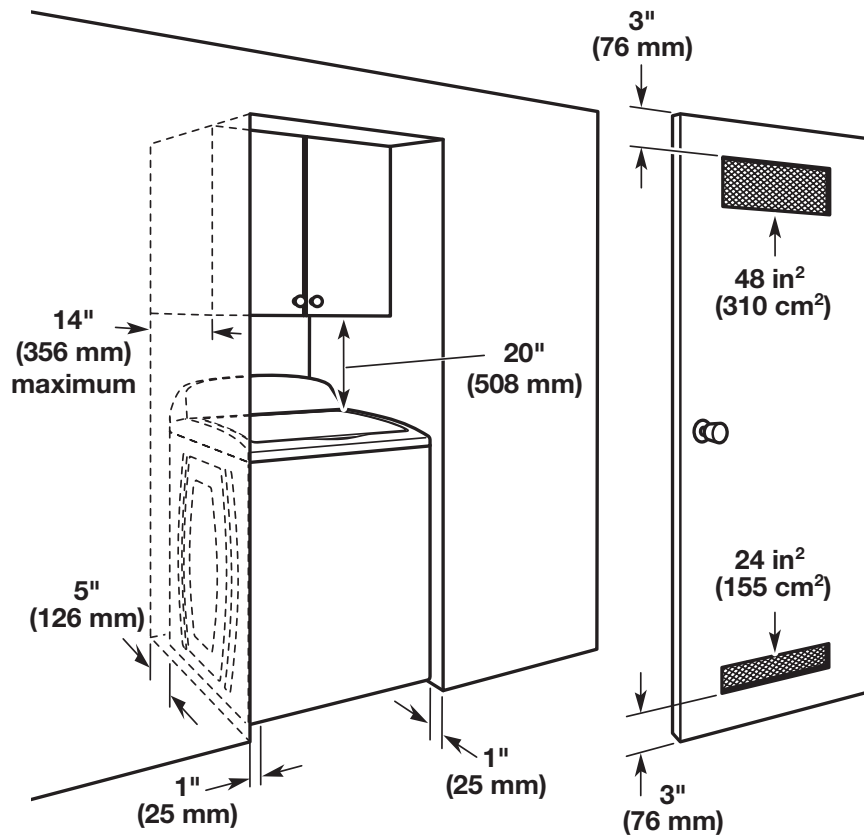
DETAILED PLANNING DIMENSIONS



Product Dimensions					
WTW5015LW, WTW5010LW, WTW5057LW, 7MWTW5017MW, 7MWTW5057MW, WTW5020SW, WTW5025SW					
		in (minimum)	mm (minimum)	in (maximum)	mm (maximum)
E	Height with Lid Open	55 ³ / ₄	1415	56 ³ / ₈	1432
F	Height of Lid	18 ⁷ / ₈	449	-	-
G	Width of Lid	23 ¹ / ₄	593	-	-
H	Water Inlet Valves Height	37 ⁷ / ₈	962	39 ¹ / ₂	1003
I	Water Inlet Valves from Side	4 ¹ / ₂	116	-	-
J	Power Cord from Side	2 ¹ / ₂	63	-	-
K	Power Cord Height	37 ³ / ₈	950	37 ¹ / ₂	953
	Power Cord Length	62	1530	-	-
L	Drain Hose Outlet Height	7 ¹ / ₄	170	7 ³ / ₄	197
M	Drain Hose Outlet from Side	4 ⁵ / ₁₆	107	-	-
	Drain Hose Length	41	1040	-	-
	Diameter of Drain Hose	1	25	-	-

DETAILED PLANNING DIMENSIONS

Recessed area or closet installation



NOTE: All washers should have 20" (508 mm) clearance.

Dimensions show recommended spacing allowed, except for closet door ventilation openings which are minimum required. This washer has been tested for installation with spacing of 0" (0 mm) clearance on the sides. Consider allowing more space for ease of installation and servicing, and spacing for companion appliances and clearances for walls, doors, and floor moldings. Add spacing of 1" (25 mm) on all sides of washer to reduce noise transfer. If a closet door or louvered door is installed, top and bottom air openings in door are required.