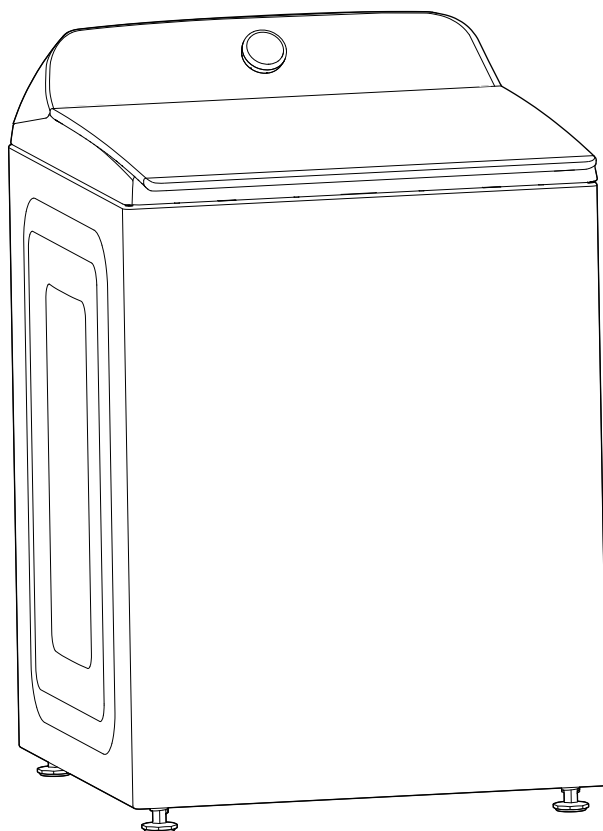




Dimension Guide

Whirlpool® Top Load Washer

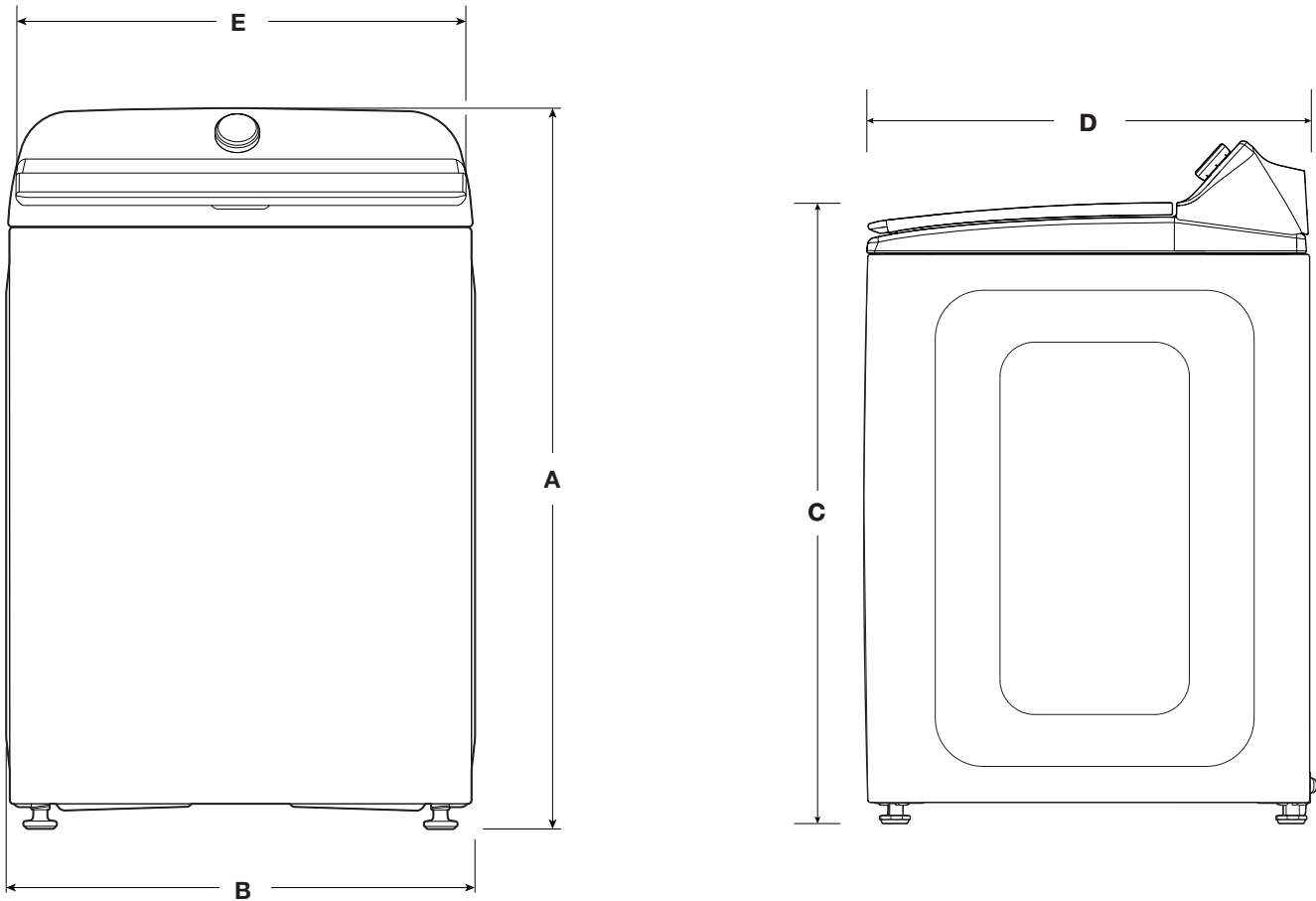
WTW500CMW, WTW6150PB, WTW6150PW, WTW6157PB, WTW6157PW



DETAILED PLANNING DIMENSIONS

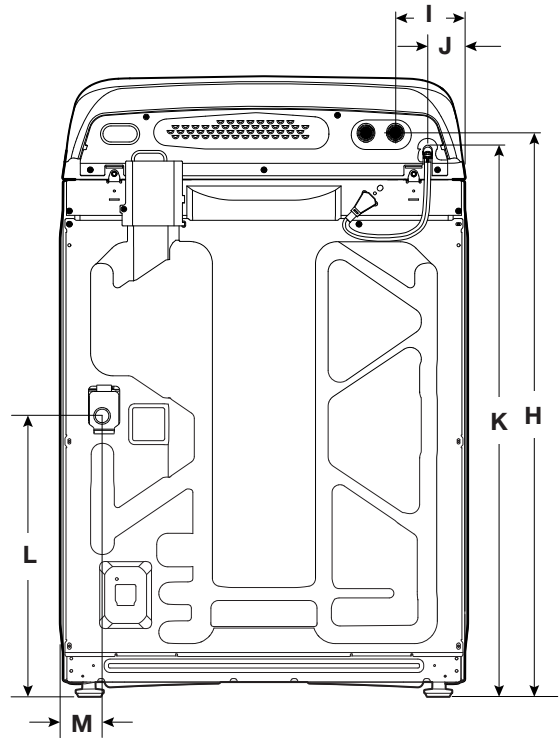
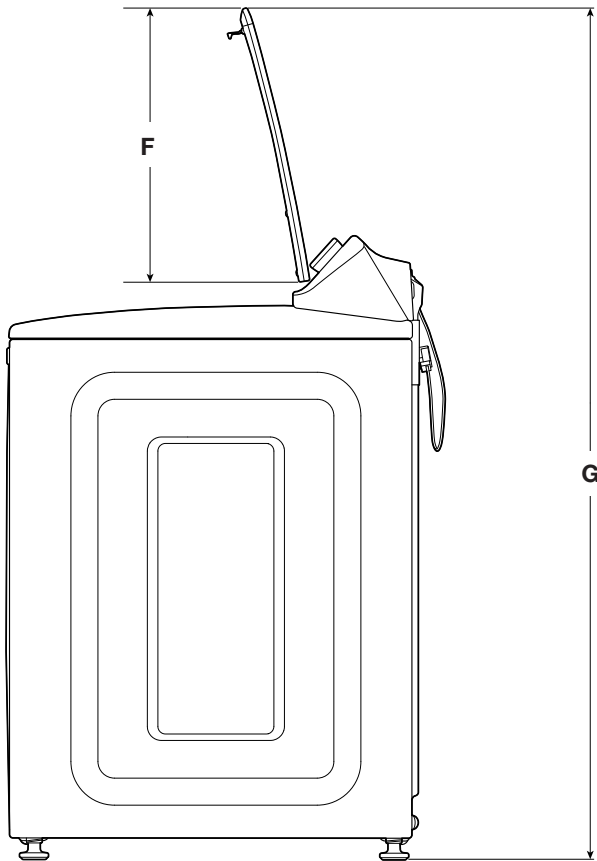
WARNING: To reduce the risk of fire, electric shock, or injury to persons, read the IMPORTANT SAFETY INSTRUCTIONS and INSTALLATION INSTRUCTIONS, located in your appliance's Owner's Manual, before installing and operating this appliance.

Electrical Requirements	
WTW500CMW, WTW6150PB, WTW6150PW, WTW6157PB, WTW6157PW - 5.3 cu ft DOE (US), 6.1 cu ft IEC (CAN)	
Minimum Circuit Amperage Rating	15 A
Operating Voltage	120 V AC only
Operating Frequency	60 Hz



Product Dimensions					
WTW500CMW, WTW6150PB, WTW6150PW, WTW6157PB, WTW6157PW					
		in (minimum)	mm (minimum)	in (maximum)	mm (maximum)
A	Height (with feet)	41 ⁷ / ₈	1064	42 ³ / ₄	1086
B	Width	27 ³ / ₈	695	-	-
C	Top of Lid Height (with feet)	37 ¹ / ₄	946	-	-
D	Depth	28	711	28 ³ / ₄	730
E	Width of Lid	26 ³ / ₈	670	-	-

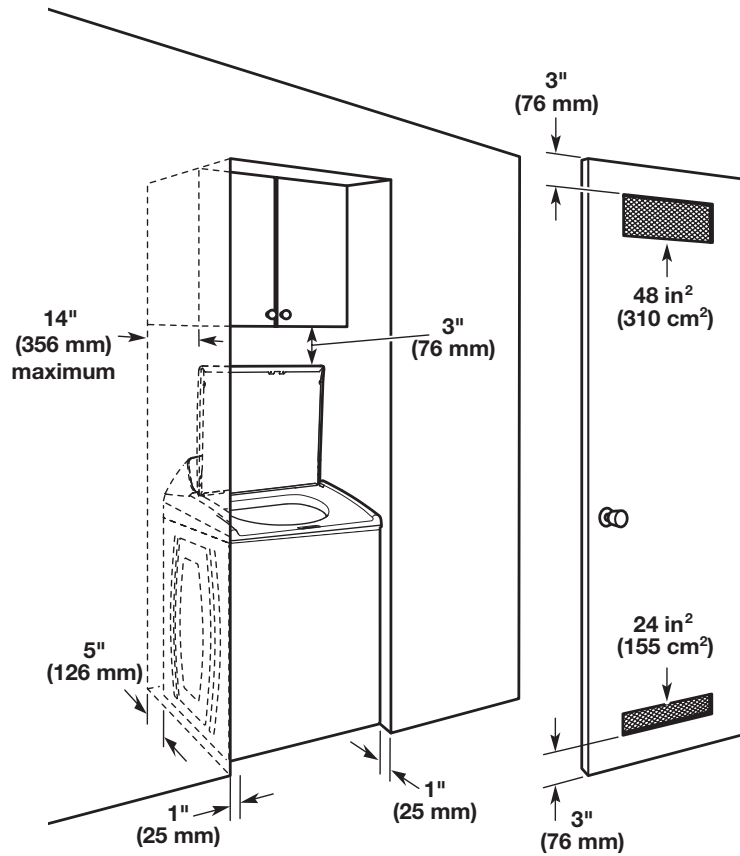
DETAILED PLANNING DIMENSIONS



Product Dimensions					
WTW500CMW, WTW6150PB, WTW6150PW, WTW6157PB, WTW6157PW					
		in (minimum)	mm (minimum)	in (maximum)	mm (maximum)
F	Height of Lid	18½	470	-	-
G	Height with Lid Open	57¼	1454	58½	1476
H	Water Inlet Valves Height	38¼	972	39⅞	994
I	Water Inlet Valves from Side	4⅞	124	-	-
J	Power Cord from Side	9⅝	244	-	-
K	Power Cord Height	38	965	38¾	984
	Power Cord Length	62	1575	-	-
L	Drain Hose Outlet Height	19¼	489	20⅞	511
M	Drain Hose Outlet from Side	2⅞	73	-	-
	Drain Hose Length	42	1067	-	-
	Diameter of Drain Hose	1	25	-	-

DETAILED PLANNING DIMENSIONS

Minimum closet clearances



Dimensions show recommended spacing allowed, except for closet door ventilation openings which are minimum required. This washer has been tested for installation with spacing of 0" (0 mm) clearance on the sides. Consider allowing more space for ease of installation and servicing, and spacing for companion appliances and clearances for walls, doors, and floor moldings. Add spacing of 1" (25 mm) on all sides of washer to reduce noise transfer. If a closet door or louvered door is installed, top and bottom air openings in door are required.