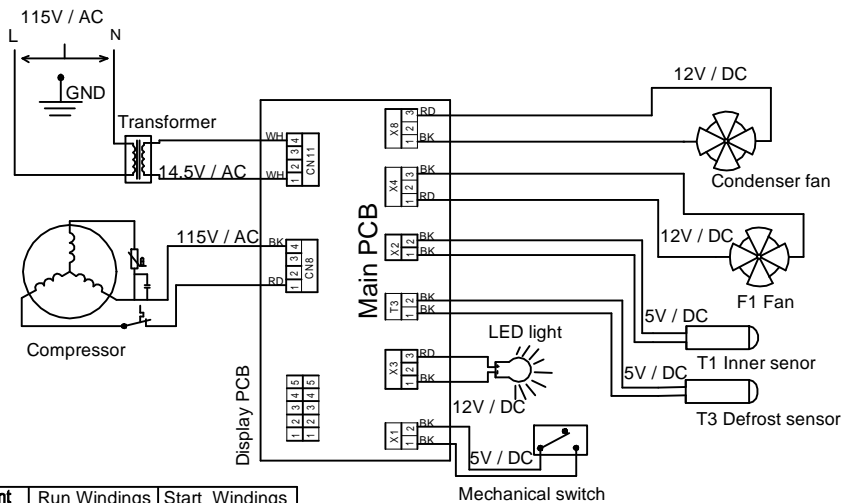


MODEL:WUW35X24DS



Component

X8	Condenser fan
X4	F1 Fan
X2	T1 Inner sensor
T3	T3 Defrost sensor
X1	Mechanical switch
X3	LED light
CN8	Compressor
CN11	Transformer

Component	Run Windings	Start Windings
Compressor	7.4	6.1

Component	Temperature	Resistance (Ω)
T1 Inner sensor	70°F	2400
T3 Defrost sensor	70°F	2400

Component	From	Color	To	Color	Voltage	Conditions
Main Control	X8	X8-1	BK	X8-3	RD	12V / DC Compressor / condenser fan
	X4	X4-1	RD	X4-3	KB	
	CN8	CN8-1	RD	CN8-4	KB	115V / AC Compressor

Code	Faulty description	Faulty checking	Faulty repairing
E1	Inner sensor open circuit.	Check the wiring and connection between PCB and sensor, if it open circuit.	If the connection and wiring is normal, replace the sensor please.
E2	Inner sensor short circuit.	Check the wiring and connection between PCB and sensor, if it open circuit.	
HI	Inner temperature too high	a.Check if any refrigerant leakage. b.Check if the capillary jam	Repair the leakage and refill. Clean or replace the capillary.
LO	Inner temperature too low	c.Check if the inner fan run normally Check if the PCB normal.	Repair the wiring or replace the fan Replace the PCB.