

# Whirlpool® Upright Freezer

## PRODUCT MODEL NUMBERS

WZF34X16D      WZF34X20D  
WZF34X18D

**Electrical:** A 115 V, 60 Hz., AC only, 15 or 20 A fused, grounded electrical supply is required. It is recommended that a separate circuit serving only your freezer be provided. Use an outlet that cannot be turned off by a switch. Do not use an extension cord.

**NOTE:** Before performing any type of installation, cleaning, or removing a light bulb, turn the control (Thermostat, Refrigerator or Freezer Control depending on the model) to OFF and then disconnect the refrigerator from the electrical source. When you are finished, reconnect the refrigerator to the electrical source and reset the control (Thermostat, Refrigerator or Freezer Control depending on the model) to the desired setting. See "Using the Controls."

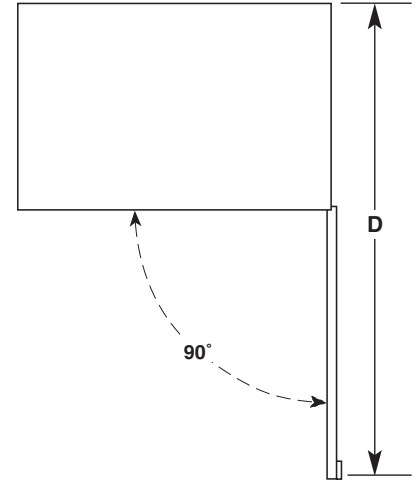
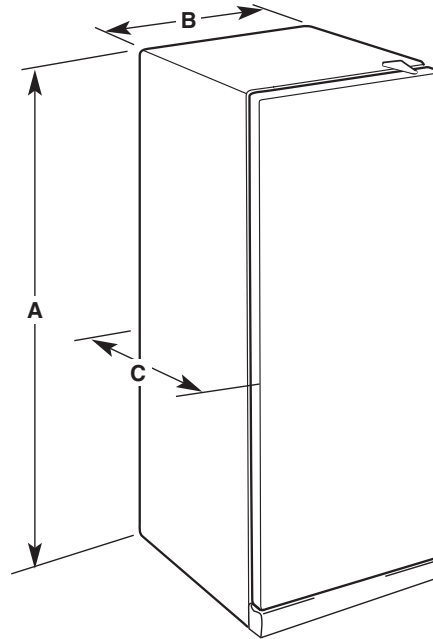
### Water Pressure

A cold water supply with water pressure of between 30 and 120 psi (207 to 827 kPa) is required to operate the water dispenser and ice maker. If you have questions about your water pressure, see "Troubleshooting" or call a licensed, qualified plumber.

### Reverse Osmosis Water Supply

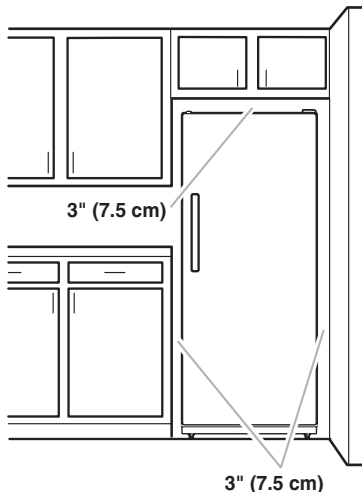
If a reverse osmosis water filtration system is connected to your cold water supply, the water pressure to the system needs to be a minimum of 40 to 60 psi (276 to 414 kPa).

## PRODUCT DIMENSIONS



Model Number	Model Size	Height "A"	Width "B"	Depth "C"	Depth - Doors Open 90° "D"
WZF34X16D	15.7 cu. ft.	60 <sup>3</sup> / <sub>4</sub> " (154.3 cm)	30 <sup>1</sup> / <sub>4</sub> " (77 cm)	29 <sup>1</sup> / <sub>8</sub> " (74 cm)	55 <sup>7</sup> / <sub>8</sub> " (142 cm)
WZF34X18D	17.7 cu. ft.	66 <sup>1</sup> / <sub>4</sub> " (168.3 cm)	30 <sup>1</sup> / <sub>4</sub> " (77 cm)	29 <sup>1</sup> / <sub>8</sub> " (74 cm)	55 <sup>7</sup> / <sub>8</sub> " (142.0 cm)
WZF34X20D	19.7 cu. ft.	66 <sup>3</sup> / <sub>4</sub> " (169.5 cm)	33 <sup>1</sup> / <sub>4</sub> " (84.5 cm)	29 <sup>1</sup> / <sub>8</sub> " (74 cm)	58 <sup>7</sup> / <sub>8</sub> " (149.5 cm)

## LOCATION REQUIREMENTS



### Ventilation and Clearance

- Allow at least 3" (7.5 cm) of air space at the top and on both sides of the freezer and 1" (2.5 cm) between the back of the freezer and the wall.
- If you are installing your freezer next to a fixed wall, leave extra space on the hinge side so the door can open wider.
- Keep flammable materials and vapors, such as gasoline, away from freezer.
- Do not cover the freezer with items such as blankets, sheets, tablecloths, etc. This reduces air circulation.
- Do not install the freezer near an oven, radiator, or other heat source.
- Check the strength of the floor before installing your freezer. It should hold the weight of a freezer fully loaded with food.

### Temperature

Your freezer operates most efficiently when located in an area where the temperature will not fall below 40°F (5°C). Place your freezer in a location where the temperature will not fall below this recommended temperature.