

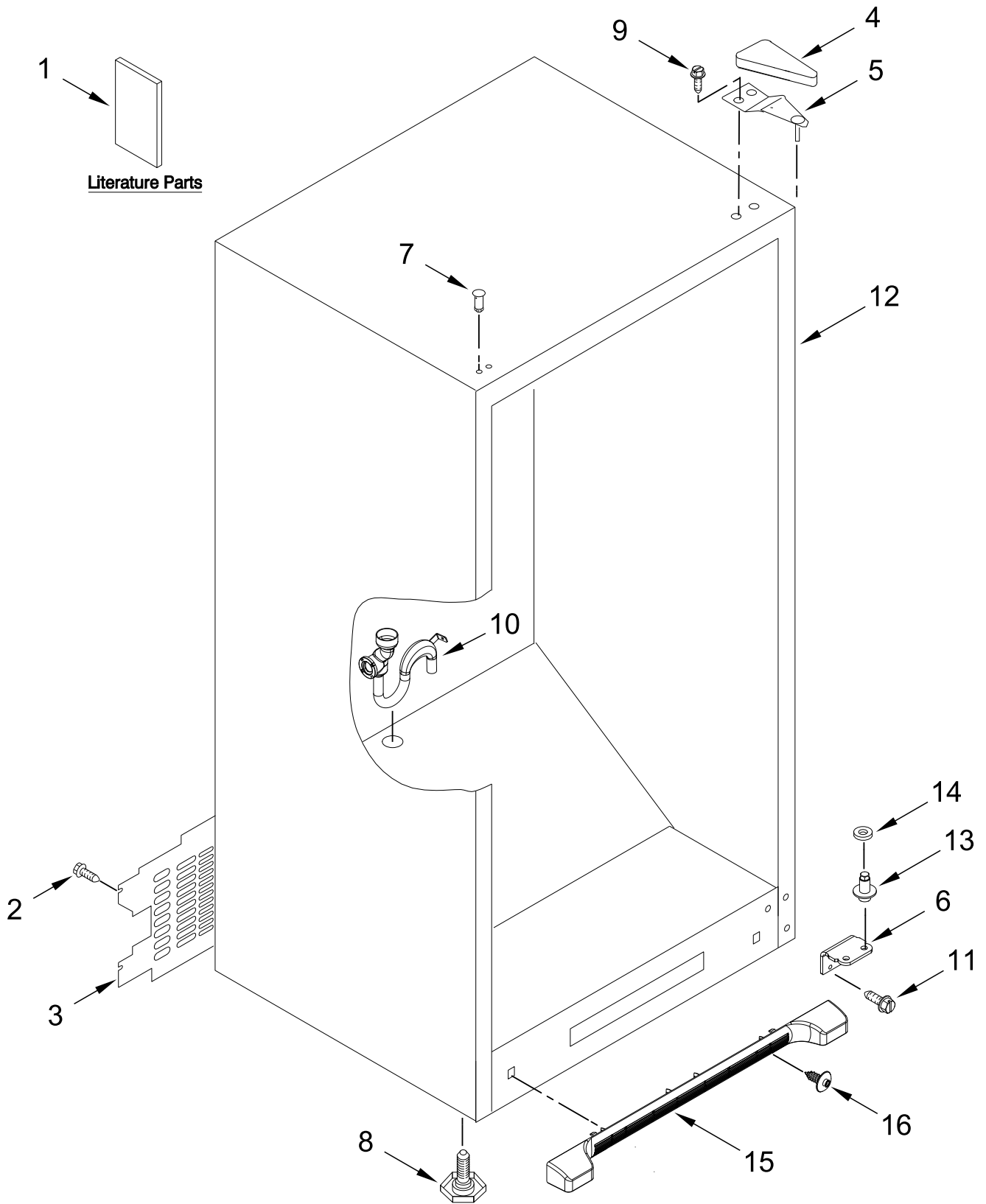


VERTICAL FREEZER

MODELS:

WZF56R16DW10 (White)

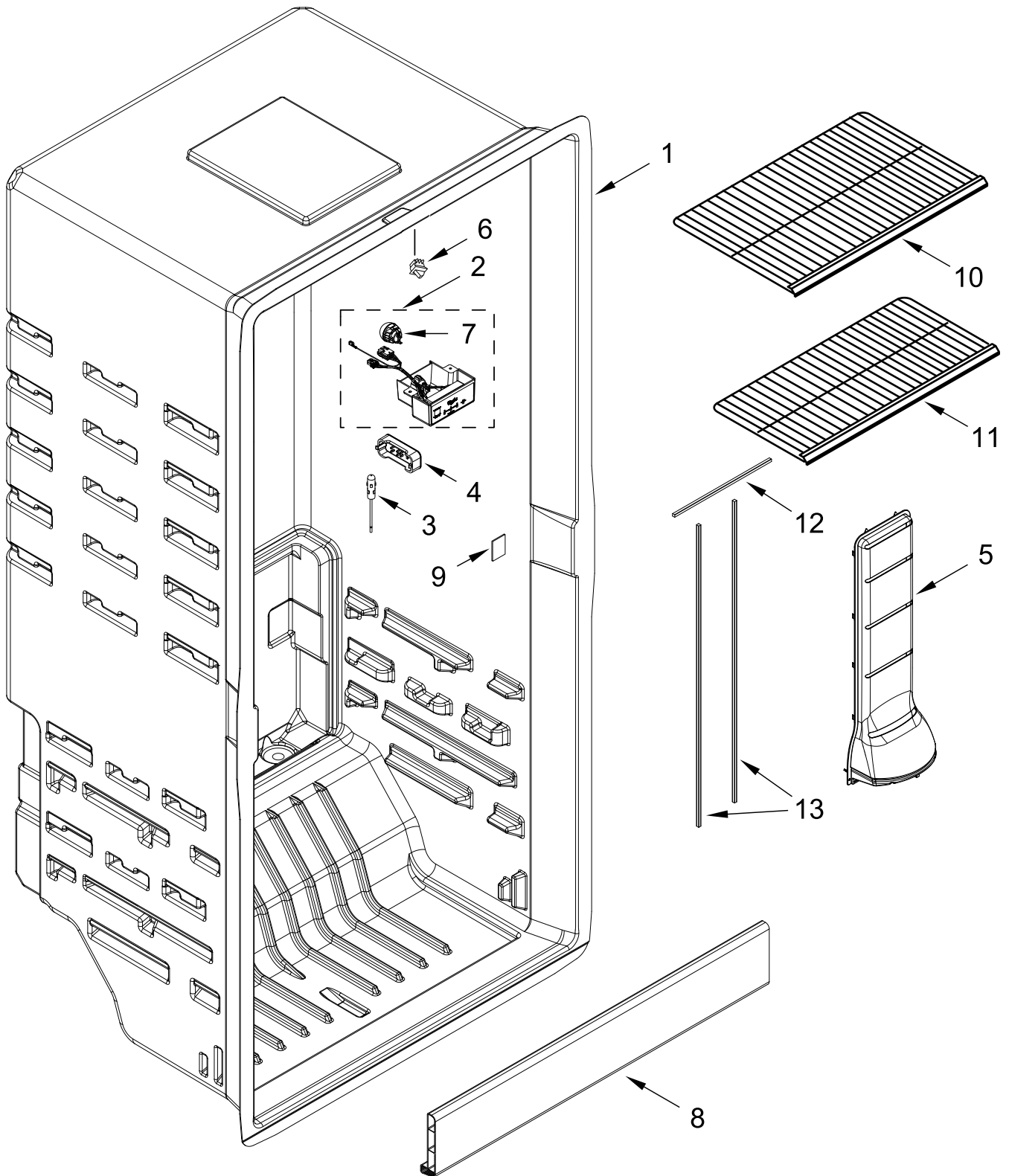
CABINET PARTS



CABINET PARTS

<u>Illus. No.</u>	<u>Part No.</u>	<u>Description</u>	<u>Illus. No.</u>	<u>Part No.</u>	<u>Description</u>	<u>Illus. No.</u>	<u>Part No.</u>	<u>Description</u>
1		Literature Parts	6		Plate, Bottom Hinge	12		Cabinet (Not A Serviceable Part)
	W11507042	Owner's Manual		W10574264	White	13	W10574325	Pin, Lower Hinge
	W11644307	Energy Guide	7		Plug, Hole	14	487576	Washer, Plastic
	W11510230	Tech Sheet		W10520304	White	15		Grille
2	3-80675-105	Screw	8	3-82710-001	Leg, Leveler		W10534166	White
3	W11293957	Cover, Unit	9	3400113	Screw	16	W11546558	Screw (White)
4		Cover, Hinge	10	W11291514	Tube, Drain			
	2213360	White	11	W10709365	Screw			
5	W11638835	Assembly, Top Hinge						

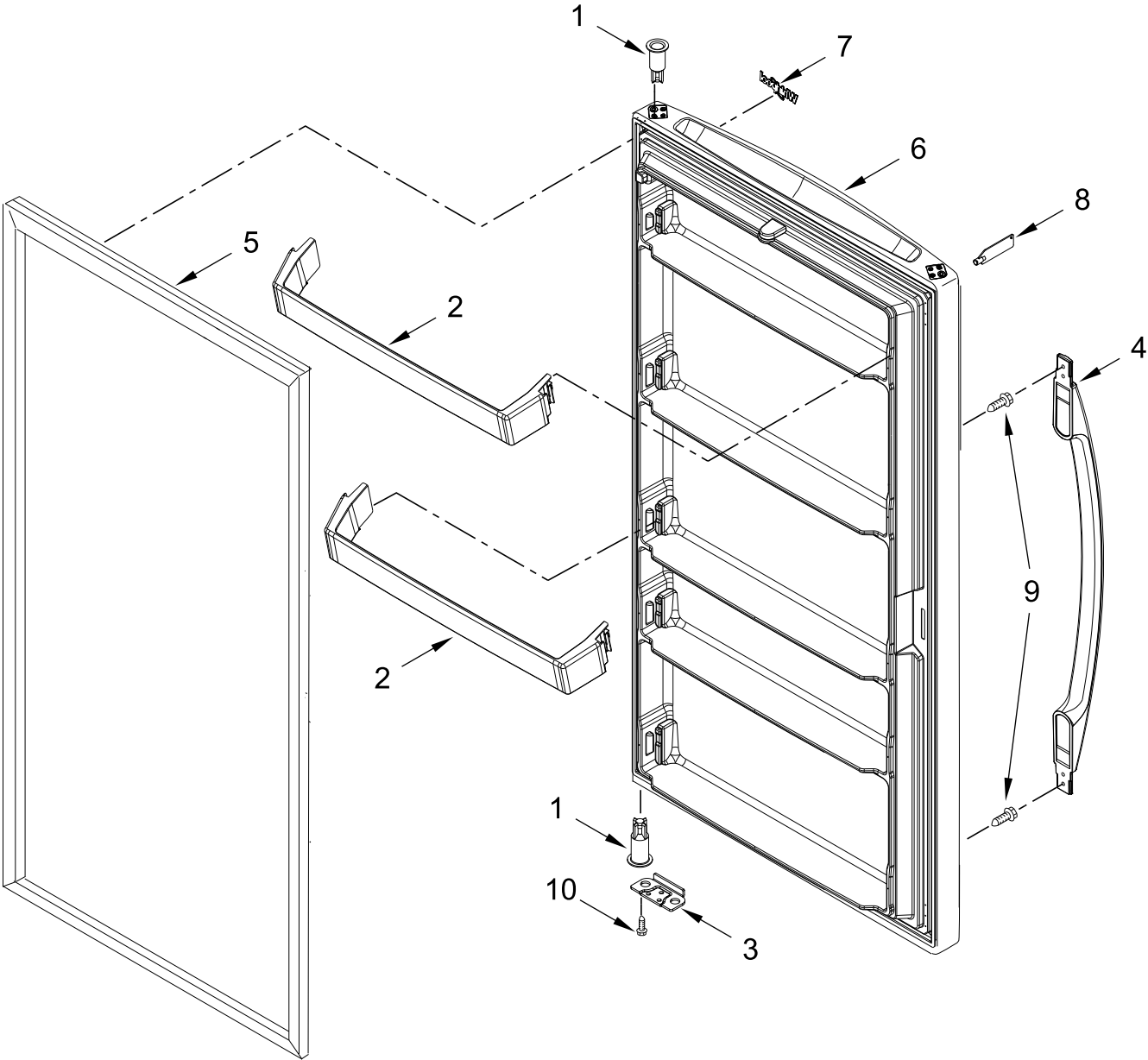
LINER PARTS



LINER PARTS

<u>Illus.</u> <u>No.</u>	<u>Part No.</u>	<u>Description</u>	<u>Illus.</u> <u>No.</u>	<u>Part No.</u>	<u>Description</u>	<u>Illus.</u> <u>No.</u>	<u>Part No.</u>	<u>Description</u>
1		Liner (Not A Serviceable Part)	6	W11514900	Switch, Light	12	W10574564	Gasket, Air Tower (Horizontal)
2	W11555883	Assembly, Control	7	W11254095	Module, LED	13	W10574563	Gasket, Air Tower (Vertical)
3	W10384183	Thermistor	8	W10581588	Trim, Door			
4	W10608692	Cover, Thermistor	9	1-60123-001	Cover, Ice maker Hole			
5	W10574403	Air Tower	10	W10569280	Wire Shelf, Deep			
			11	W10569281	Wire Shelf, Shallow			

DOOR PARTS



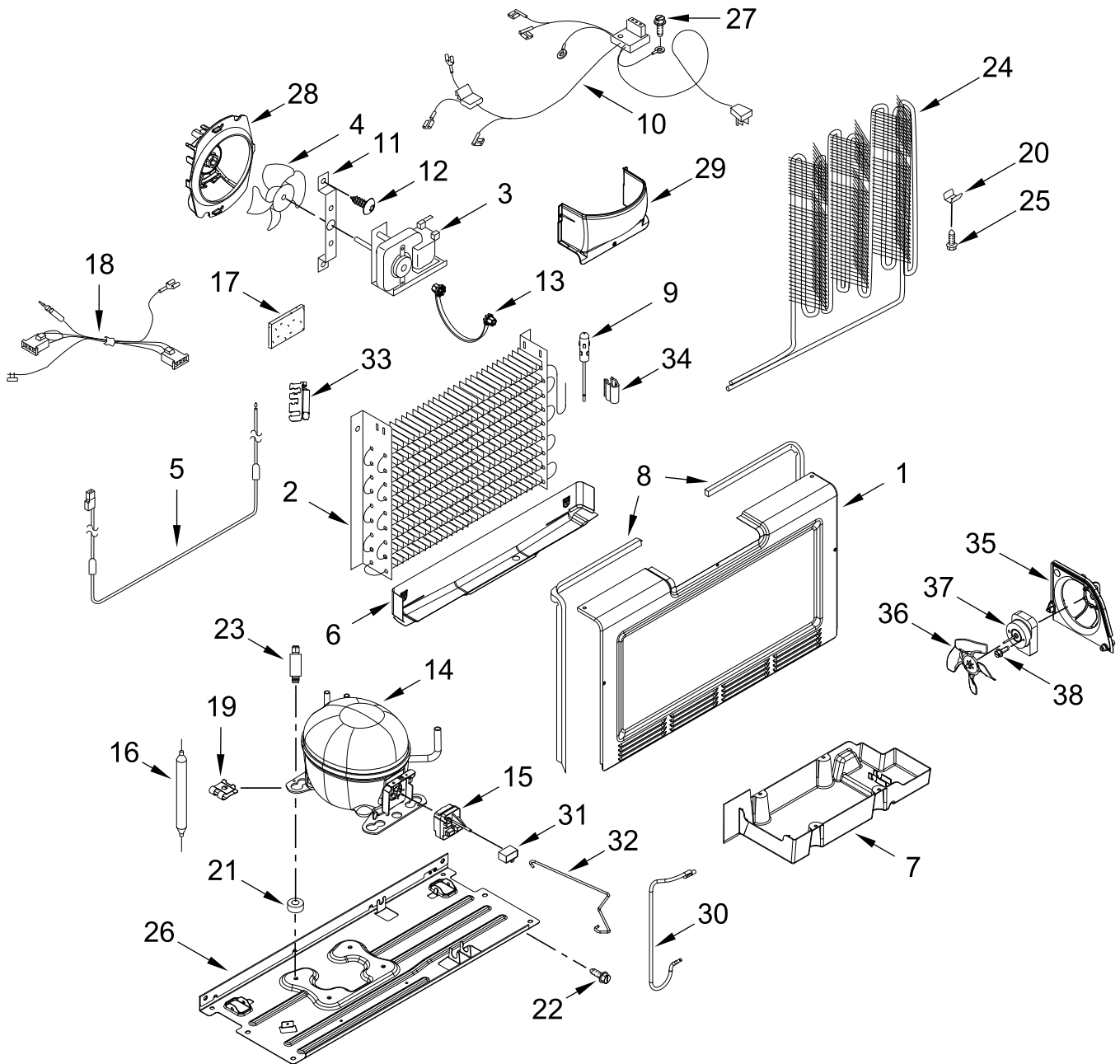
DOOR PARTS

<u>Illus.</u> <u>No.</u>	<u>Part No.</u>	<u>Description</u>
1	2314293	Thimble
2	W10737497	Rail, Door Shelf
3	W10628869	Bracket, Door Stop
4		Handle, Door
	W10612702	White
5		Gasket, Door
	W10733691	White

<u>Illus.</u> <u>No.</u>	<u>Part No.</u>	<u>Description</u>
6		Door Assembly (Includes Lock)
	W10574702	White
7	W10884775	Badge
8	2-80060-106	Key

<u>Illus.</u> <u>No.</u>	<u>Part No.</u>	<u>Description</u>
9	W10460893	Screw
10	7101P356-60	Screw

UNIT PARTS



UNIT PARTS

<u>Illus.</u> <u>No.</u>	<u>Part No.</u>	<u>Description</u>	<u>Illus.</u> <u>No.</u>	<u>Part No.</u>	<u>Description</u>	<u>Illus.</u> <u>No.</u>	<u>Part No.</u>	<u>Description</u>
1	W10574307	Cover, Evaporator	14	W11332031	Compressor	23	W10720825	Screw
2	W11490402	Evaporator (Also Order the Following Lokring Parts)			(Also Order the Following Lokring Parts)	24	W10574289	Condenser Assembly (Also Order the Following Lokring Parts)
	W11504450	4/1.8 NR MS 00 (Capillary Tube to Evaporator)		W11504420	8/6 NR MS 00 (Suction Tube to Compressor)		W11578570	7/4.5 NR MS 00 (Discharge Tube to Condenser)
	W11504420	8/6 NR MS 00 (Suction Line to Evaporator)		W11504431	7/5 NR MS 00 (Discharge Tube to Compressor)		W11506623	5 NK MS 00 (Suction Line to Condenser)
3	W11340536	Motor, Fan			(Charging Tube to Compressor)	25	W10142294	Screw
4	2169142	Blade, Fan				26	W10574278	Pan, Compressor
5	W11340898	Heater, Defrost		W11506635	Tube, Charging (1/4 in w/ Schrader Valve)	27	1-80257-102	Screw
6	W11483529	Shield, Heat				28	W10574469	Shroud, Evaporator Fan
7	W10574291	Pan, Evaporator Drain	15	W11359985	Device, Start	29	W10574274	Cover, Evaporator Fan
8	W10574305	Gasket, Evaporator Cover	16	W10805035	Drier (Service Drier Without Dye) (Also Order the Following Lokring Parts)	30	W11591093	Tube, Suction
9	W10384183	Thermistor				31	W11584490	Run Capacitor
10	W11526288	Harness, Unit (Includes Power Cord)		W11506623	5 NK MS 00 Drier to Condenser	32	W11379613	Strap, Bale
11	13058002	Clip, Evaporator Motor				33	W11452250	Bracket, Evaporator
12	W11546547	Screw		W11504448	5/1.8 NR AL 00 (Capillary Tube to Drier)	34	W11437914	Clip, Evaporator Thermistor
13	W10150583	Grommet, Fan Motor				35	W11509373	Bracket, Condenser Fan
			17	2169104	Insulation, Sound Deadening	36	W10139483	Blade, Condenser Fan
			18	W11435965	Harness, Evaporator Fan	37	W10909387	Motor, Condenser Fan
			19	W10697017	Clip, Retaining	38	8533961	Screw REFRIGERANT CHARGE
			20	W10248621	Clip, Condenser			40 grams (R600a)
			21	10835903	Grommet			
			22	W10142287	Screw			

OPTIONAL PARTS (NOT INCLUDED)

<u>Illus.</u> <u>No.</u>	<u>Part No.</u>	<u>Description</u>
		PAINT, PRESSURIZED SPRAY (12 oz.)
	350942	White Primer
	350930	White
		Important: The spray paint is not to be used where the paint may make contact with the door gaskets.
		TOUCH-UP PAINT
	72017	White
	511873	White Porcelain (2 oz.)
		PAINT, BULK (1 QT.)
	799344	White (Uncut)
		MISCELLANEOUS
	212643	Sealer, Gum (4 Feet)
	479502	Tape, Vinyl (3/4 x 108")
	505587	Sealer, Mastic (1 Qt)
	503695	Cork, Sealer
	542638	Grease, Silicone (1/2 Oz.)
	542639	Cement, Alumilastic (1 1/4 Oz.)
	833938	Kit, Terminal Connector
		TORX SCREW WRENCH
	1117510	Torx Key
		FIELD INSTALLABLE ICE MAKER
	W11510803	Complete Icemaker Kit (Includes Valve & Ice Bin)