

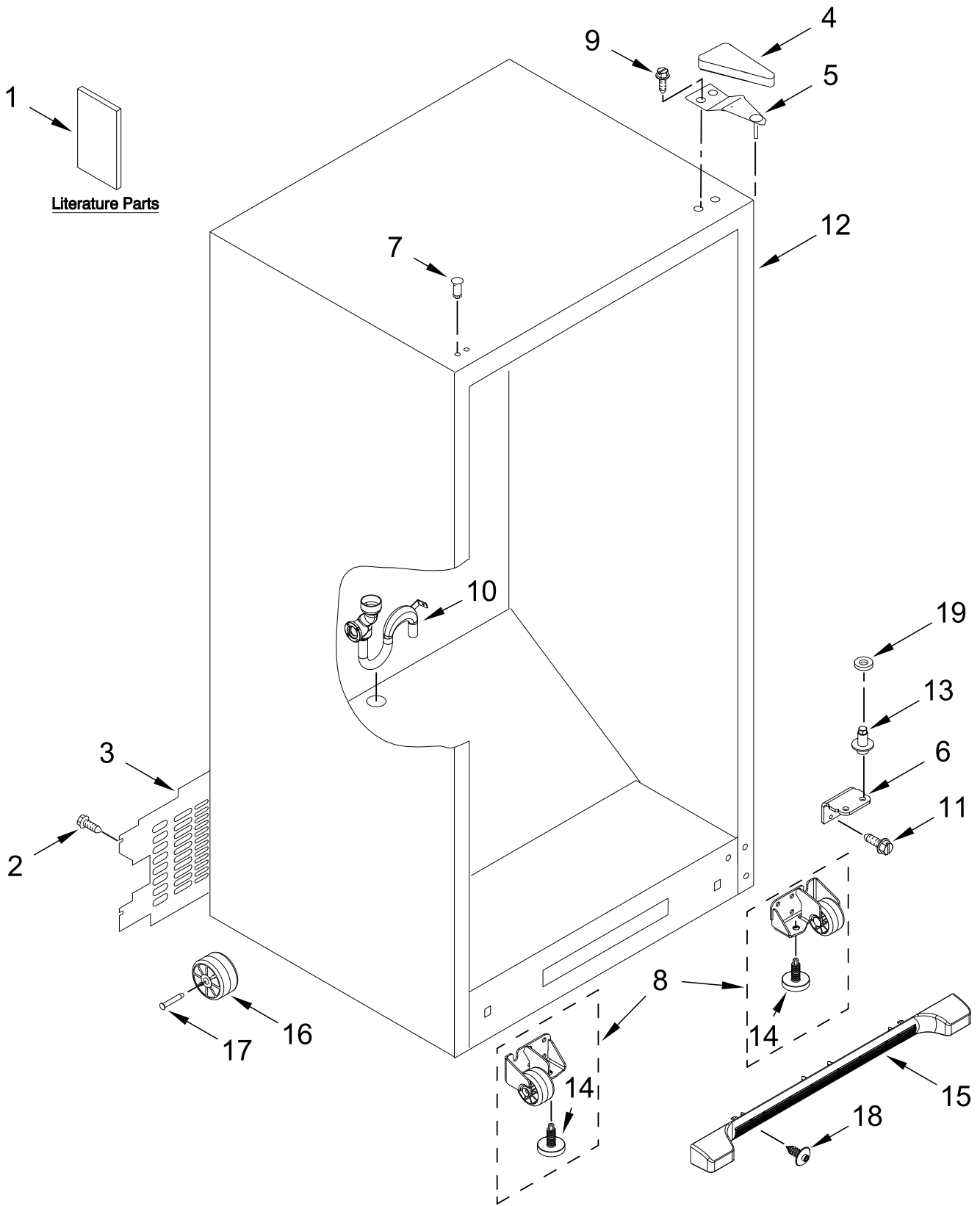


VERTICAL FREEZER

MODELS:

WZF79R20DW08 (White)

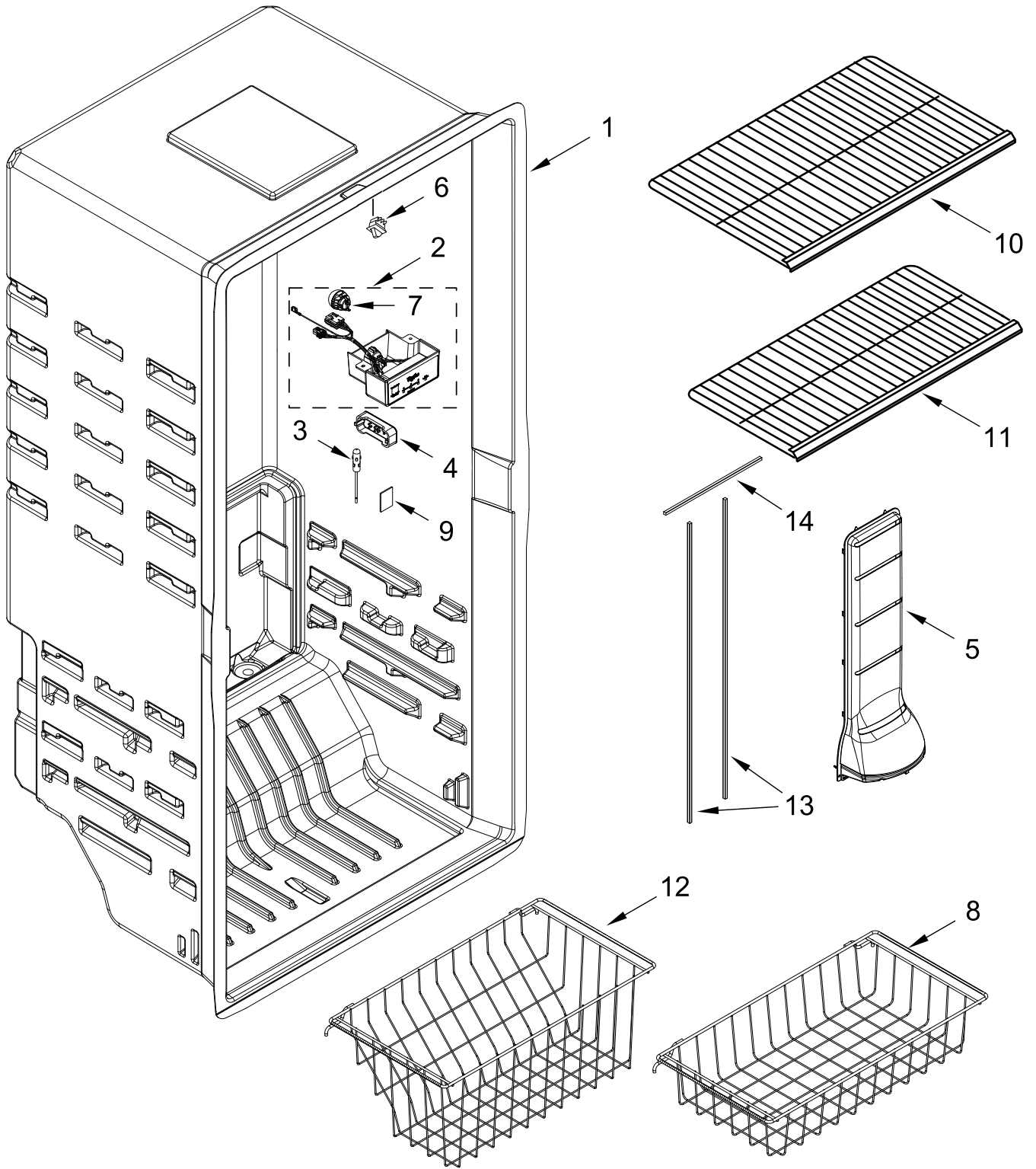
CABINET PARTS



CABINET PARTS

<u>Illus. No.</u>	<u>Part No.</u>	<u>Description</u>	<u>Illus. No.</u>	<u>Part No.</u>	<u>Description</u>	<u>Illus. No.</u>	<u>Part No.</u>	<u>Description</u>
1		Literature Parts	7		Plug, Hole	15		Grill, Front
	W11507042	Owner's Manual		W10520304	White		W10534161	White
	W11648967	Energy Guide	8		Assembly, Roller	16	2150304	Roller
	W11510230	Tech Sheet		W10515762	Right Hand	17	2179826	Axle, Rivet
2	3-80675-105	Screw		W10515763	Left Hand	18	W11546550	Screw
3	W11307194	Cover, Unit	9	3400113	Screw	19	487576	Washer, Plastic
4		Cover, Hinge	10	W11291514	Tube, Drain			
	2213360	White	11	W10709365	Screw			
5	W11638835	Assembly, Top Hinge	12		Cabinet (Not A Serviceable Part)			
6		Plate, Bottom Hinge	13	W10574325	Pin, Lower Hinge			
	W10574264	White	14	W10141622	Brake, Roller			

LINER PARTS



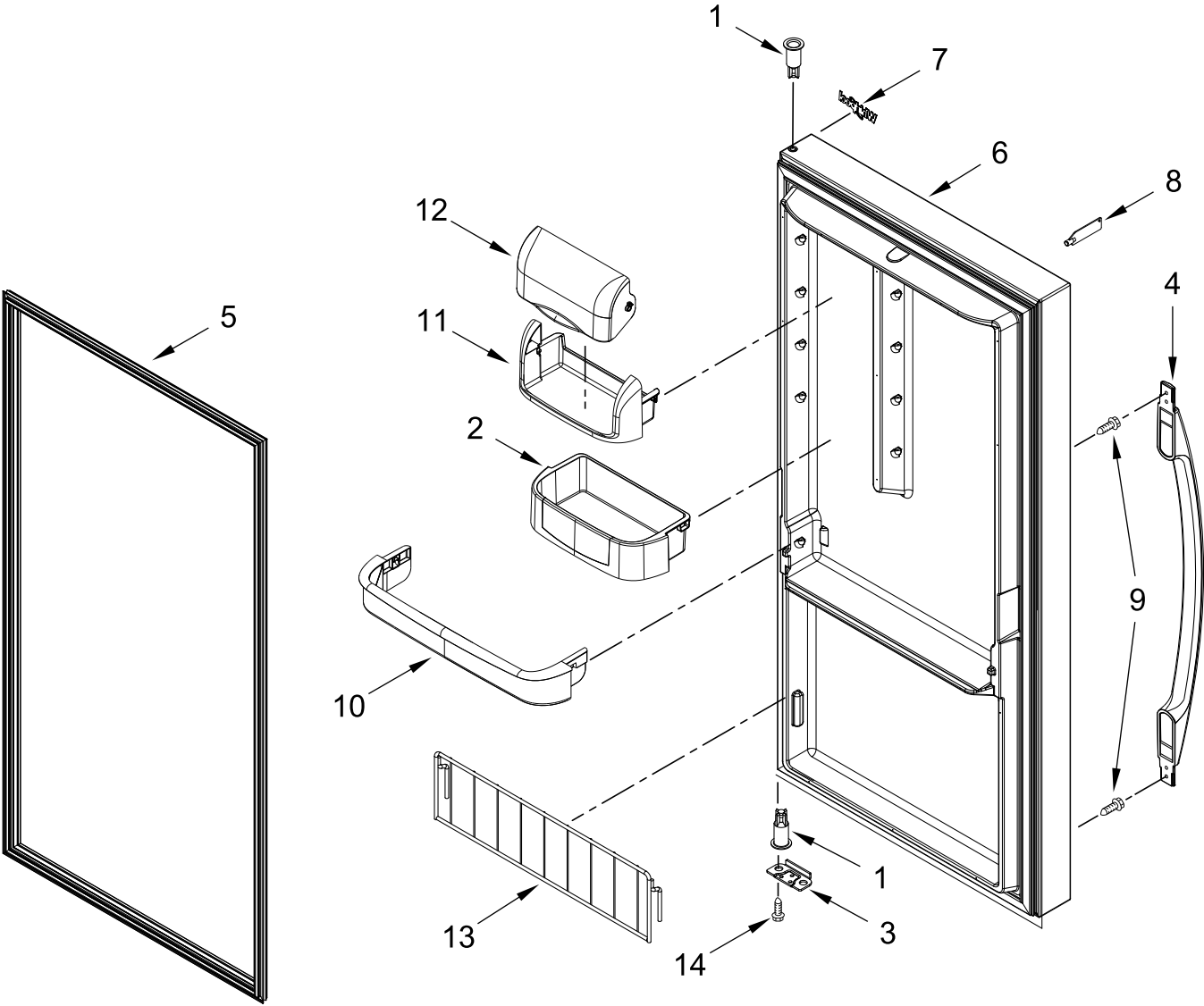
LINER PARTS

<u>Illus.</u> <u>No.</u>	<u>Part No.</u>	<u>Description</u>
1		Liner (Not A Serviceable Part)
2	W11555879	Assembly, Control
3	W10384183	Thermistor
4	W10608692	Cover, Thermistor
5	W10574272	Air Tower

<u>Illus.</u> <u>No.</u>	<u>Part No.</u>	<u>Description</u>
6	W11514900	Switch, Light
7	W11254095	Module, LED
8	W10713813	Basket, Shallow
9	1-60123-001	Cover, Ice maker Hole
10	W10569282	Shelf, Deep Wire
11	W10569283	Shelf, Shallow Wire

<u>Illus.</u> <u>No.</u>	<u>Part No.</u>	<u>Description</u>
12	W10713812	Basket, Deep
13	W10574368	Gasket, Air Tower (Vertical)
14	W10574564	Gasket, Air Tower (Horizontal)

DOOR PARTS



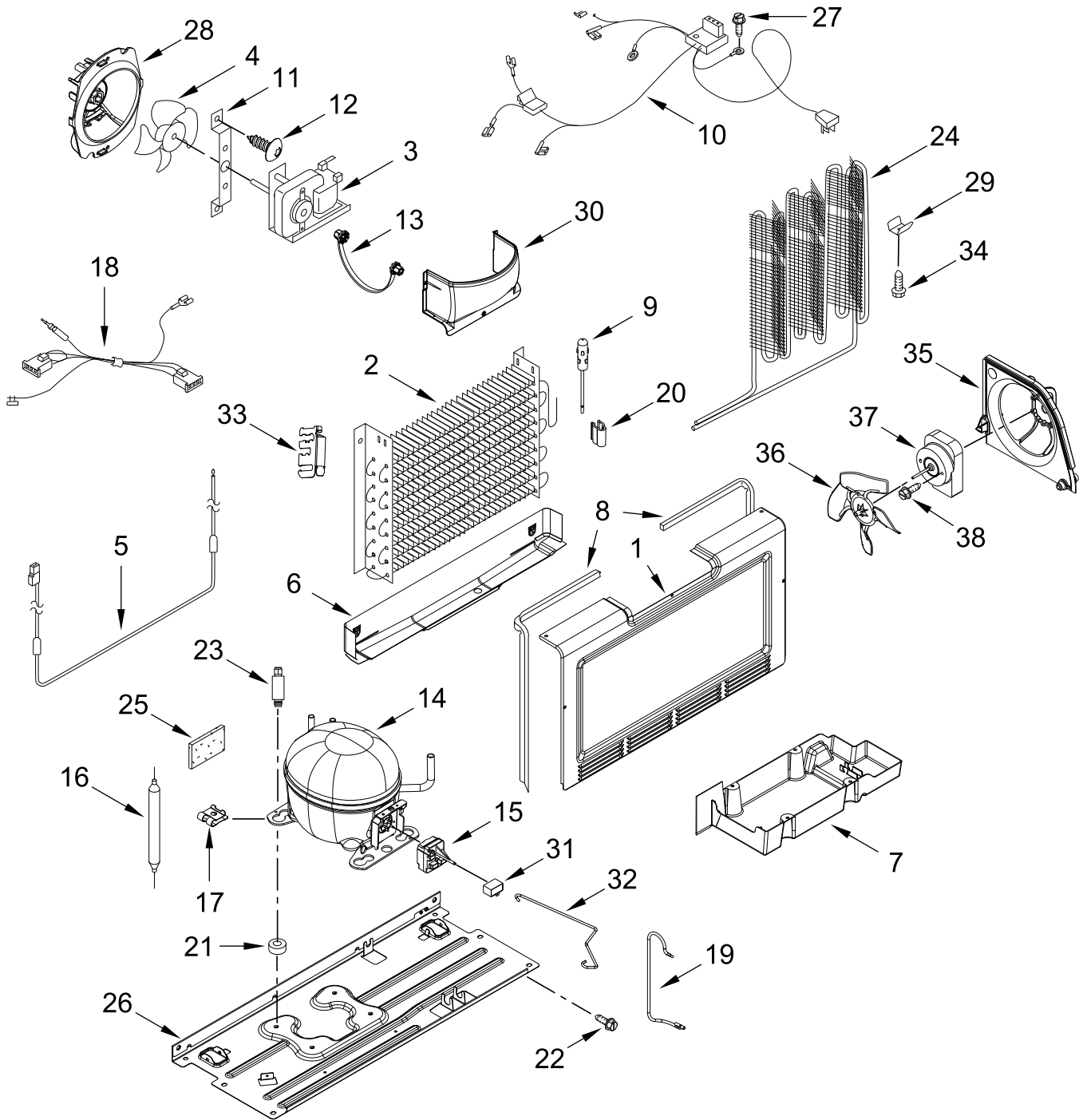
DOOR PARTS

<u>Illus.</u> <u>No.</u>	<u>Part No.</u>	<u>Description</u>
1	2314293	Thimble
2	W10371194	Bucket, Medium
3	W10628869	Bracket, Door Stop
4		Handle, Door
	W10612702	White
5		Gasket, Door
	W10733695	White

<u>Illus.</u> <u>No.</u>	<u>Part No.</u>	<u>Description</u>
6		Door Assembly (Includes Lock)
	W10574711	White
7	W10884775	Badge
8	2-80060-106	Key
9	W10460893	Screw
10	12557905	Retainer, Door

<u>Illus.</u> <u>No.</u>	<u>Part No.</u>	<u>Description</u>
11	12369502	Tray, Dairy
12	W10612074	Lid
13	W10574731	Door, Pizza Shelf
14	7101P356-60	Screw

UNIT PARTS



UNIT PARTS

<u>Illus.</u> <u>No.</u>	<u>Part No.</u>	<u>Description</u>	<u>Illus.</u> <u>No.</u>	<u>Part No.</u>	<u>Description</u>	<u>Illus.</u> <u>No.</u>	<u>Part No.</u>	<u>Description</u>
1	W10574307	Cover, Evaporator	14	W11332031	Compressor	23	W10720825	Screw
2	W11490402	Evaporator (Also Order the Following Lokring Parts)			(Also Order the Following Lokring Parts)	24	W10574289	Condenser Assembly (Also Order the Following Lokring Parts)
	W11504450	4/1.8 NR MS 00 (Capillary Tube to Evaporator)		W11504420	8/6 NR MS 00 (Suction Tube to Compressor)		W11578570	7/4.5 NR MS 00 (Discharge Tube to Condenser)
	W11504420	8/6 NR MS 00 (Suction Line to Evaporator)		W11504431	7/5 NR MS 00 (Discharge Tube to Compressor)		W11506623	5 NK MS 00 (Suction Line to Condenser)
3	W11340536	Motor, Fan			(Charging Tube to Compressor)	25	2169104	Insulation, Sound Deadening
4	2169142	Blade, Fan		W11506635	Tube, Charging (1/4 in w/ Schrader Valve)	26	W10574497	Pan, Compressor
5	W11340898	Heater, Defrost	15	W11359985	Device, Start	27	1-80257-102	Screw
6	W11483529	Shield, Heat	16	W10805035	Drier (Service Drier Without Dye)	28	W10574469	Shroud, Evaporator Fan
7	W10574291	Pan, Evaporator Drain			(Also Order the Following Lokring Parts)	29	W10248621	Clip, Condenser
8	W10574305	Gasket, Evaporator Cover			(Also Order the Following Lokring Parts)	30	W10574274	Cover, Evaporator Fan
9	W10384183	Thermistor		W11506623	5 NK MS 00 Drier to Condenser	31	W11584490	Run Capacitor
10	W11526288	Harness, Unit (Includes Power Cord)				32	W11379613	Strap, Bale
11	13058002	Clip, Evaporator Motor		W11504448	5/1.8 NR AL 00 (Capillary Tube to Drier)	33	W11452250	Bracket, Evaporator
12	W11546547	Screw				34	W10142294	Screw
13	W10150583	Grommet, Fan Motor	17	W10697017	Clip, Retaining	35	W11509373	Bracket, Condenser Fan
			18	W11435965	Harness, Evaporator Fan	36	W10139483	Blade, Condenser Fan
			19	W11591093	Tube, Suction	37	W10909387	Motor, Condenser Fan
			20	W11437914	Clip, Evaporator Thermistor	38	8533961	Screw REFRIGERANT CHARGE 50 grams (R600a)
			21	10835903	Grommet			
			22	W10142287	Screw			

OPTIONAL PARTS (NOT INCLUDED)

<u>Illus.</u> <u>No.</u>	<u>Part No.</u>	<u>Description</u>
		PAINT, PRESSURIZED SPRAY (12 oz.)
	350942	White Primer
	350930	White
		Important: The spray paint is not to be used where the paint may make contact with the door gaskets.
		TOUCH-UP PAINT
	72017	White
	511873	White Porcelain (2 oz.)
		PAINT, BULK (1 QT.)
	799344	White (Uncut)
		MISCELLANEOUS
	212643	Sealer, Gum (4 Feet)
	479502	Tape, Vinyl (3/4 x 108")
	505587	Sealer, Mastic (1 Qt)
	503695	Cork, Sealer
	542638	Grease, Silicone (1/2 Oz.)
	542639	Cement, Alumilastic (1 1/4 Oz.)
	833938	Kit, Terminal Connector
		TORX SCREW WRENCH
	1117510	Torx Key
		FIELD INSTALLABLE ICE MAKER
	W11510803	Complete Icemaker Kit (Includes Valve & Ice Bin)