

XLH36 | XLH48 | XLH60

# USE & CARE MANUAL

XLH MODELS

**THOR**  
K I T C H E N<sup>®</sup>


USE & CARE MANUAL

# THOR KITCHEN XLH SERIES PROFESSIONAL RANGE HOODS

## XLH MODELS

XLH36 | XLH48 | XLH60

**THOR**  
K I T C H E N<sup>®</sup>



Thank you for choosing THOR KITCHEN. This product has been manufactured by Thor International, 4651 E Airport Drive, Ontario, CA 91761. This manual contains all the information you will need to install / use the product correctly and safely. Please read all the instructions prior using the product, and keep this manual in a secure place for future reference. Do not remove the attached adhesive identification label containing code, model number, manufacturer and other information from the product. This label will be used by the THOR KITCHEN authorized service representative in the event that your product needs servicing.

Nous vous remercions d'avoir choisi THOR KITCHEN. Ce produit a été fabriqué par Thor International, 4651 E Airport Drive, Ontario, CA 91761. Ce manuel contient l'intégralité des consignes dont vous aurez besoin pour installer / utiliser le produit correctement et en toute sécurité. Veuillez lire l'intégralité des consignes avant toute utilisation du produit, puis conservez le présent manuel en lieu sûr afin de pouvoir vous y reporter ultérieurement. Ne pas retirer du produit l'étiquette d'identification adhésive qui contient le code, le numéro de modèle, le nom du fabricant et toute autre information. Ladite étiquette sera utilisée par le représentant du service après-vente agréé de THOR KITCHEN au cas où votre produit nécessiterait réparation ou entretien.

Gracias por elegir a THOR KITCHEN. Este producto fue fabricado por Thor International, 4651 E Airport Drive, Ontario, CA 91761. Este manual contiene toda la información que necesitará para instalar / usar el producto de manera adecuada y segura. Lea todas las instrucciones antes de usar el producto, y mantenga este manual en un lugar seguro para usarlo como referencia a futuro. No quite la etiqueta de identificación adhesiva que contiene el código, número de modelo, fabricante y otros datos del producto. El representante de servicio autorizado por THOR KITCHEN usará esta etiqueta en caso de que su producto requiera reparaciones.

# TABLE OF CONTENTS

<b>IMPORTANT SAFETY NOTICE</b> .....	5
1.1 Read and save these instructions .....	5
1.2 Electrical requirements .....	7
<b>PRODUCT FEATURES / SPECIFICATION CHART</b> .....	7
2.1 Product Features .....	7
2.2 Specification Chart .....	8
2.3 Circuit Diagram .....	8
2.4 Hood Specifications .....	9
<b>EXPLODED DIAGRAM</b> .....	10
<b>LIST OF MATERIALS</b> .....	11
3.1 Parts Supplied .....	11
<b>INSTALLATION GUIDELINES</b> .....	11
4.1 Location .....	11
4.2 Exhaust duct .....	11
4.3 Position .....	12
<b>OPERATING INSTRUCTIONS</b> .....	13
<b>BAFFLE FILTER INSTALLATION, REMOVAL AND MAINTENANCE</b> .....	15
<b>REPLACING LIGHT STRIP</b> .....	16
<b>SURFACE MAINTENANCE</b> .....	19
5.1 Surface Maintenance .....	19
5.2 Surface Cleaning and Maintenance .....	19
<b>CAUTIONS</b> .....	19
6.1 Special Attention when Using the Range Hood .....	19
<b>TROUBLESHOOTING</b> .....	20
<b>WARRANTY</b> .....	21

# IMPORTANT SAFETY NOTICE

## 1.1 Read and save these instructions

### **⚠ WARNING**

**To reduce the risk of fire or electric shock, do not use this fan with any solid-state control device.**

### **CAUTION**

For General Ventilating Use Only. Do Not Use To Exhaust Hazardous Or Explosive Materials And Vapors.

### **⚠ WARNING**

**To reduce the risk of fire, electric shock, or injury to persons, observe the following:**

- a. Use this unit only in the manner intended by the manufacturer. If you have questions, contact the manufacturer.
- b. Before servicing or cleaning unit, switch power off at service panel and lock the service disconnecting means to prevent power from being switched on accidentally. When the service disconnecting means cannot be locked, securely fasten a prominent warning device, such as a tag, to the service panel.

### **⚠ WARNING**

**To reduce the risk of a range top grease fire:**

- a. Never leave surface units unattended at high settings. Boilovers cause smoking and greasy spillovers that may ignite. Heat oils slowly on low or medium settings.
- b. Always turn hood ON when cooking at high heat or when flambeing food (i.e. Crepes Suzette, Cherries Jubilee, Peppercorn Beef Flambe').
- c. Clean ventilating fans frequently. Grease should not be allowed to accumulate on fan or filter.
- d. Use proper pan size. Always use cookware appropriate for the size of the surface element.

### **⚠ WARNING**

**To reduce the risk of injury to persons in the event of a range top grease fire, observe the following\*:**

- a. SMOTHER FLAMES with a close-fitting lid, cookie sheet, or metal tray, then turn off the burner. BE CAREFUL TO PREVENT BURNS. If the flames do not go out immediately, EVACUATE AND CALL THE FIRE DEPARTMENT.
- b. NEVER PICK UP A FLAMING PAN - You may be burned.
- c. DO NOT USE WATER, including wet dishcloths or towels - a violent steam explosion will result.
- d. Use an extinguisher ONLY if:
  1. You know you have a Class ABC extinguisher, and you already know how to operate it.
  2. The fire is small and contained in the area where it started.
  3. The fire department is being called.
  4. You can fight the fire with your back to an exit.

\* Based on "Kitchen Firesafety Tips" published by NFPA.

# IMPORTANT SAFETY NOTICE

## **⚠ WARNING**

To reduce the risk of fire, electric shock, or injury to persons, observe the following:

- a. Installation work and electrical wiring must be done by qualified person(s) in accordance with all applicable codes and standards, including fire-rated construction.
- b. Sufficient air is needed for proper combustion and exhausting of gases through the flue (chimney) of fuel burning equipment to prevent back drafting. Follow the heating equipment manufacturer's guideline and safety standards such as those published by the National Fire Protection Association (NFPA), and the American Society for Heating, Refrigeration and Air Conditioning Engineers (ASHRAE), and the local code authorities.
- c. When cutting or drilling into wall or ceiling, do not damage electrical wiring and other hidden utilities.
- d. Ducted fans must always be vented to the outdoors.
- e. NEVER place a switch where it can be reached from a tub or shower.
- f. Make sure the power is off before installing, wiring or maintaining

## **⚠ WARNING**

To reduce the risk of fire, use only metal ductwork.

## **CAUTION**

To reduce risk of fire and to properly exhaust air outside - Do not vent exhaust air into spaces within walls, ceilings, attics, crawl spaces or garages

## **OPERATION**

Always leave safety grilles and filters in place. Without these components, operating blowers could catch onto hair, fingers and loose clothing. The manufacturer declines all responsibility in the event of failure to observe the instructions given here for installation, maintenance and suitable use of the product. The manufacturer further declines all responsibility for injury due to negligence and the warranty of the unit automatically expires due to improper maintenance.

## **CALIFORNIA PROPOSITION 65 WARNING**

## **⚠ WARNING**

**This appliance contains chemicals known to the State of California to cause cancer and/or reproductive harm, and birth defects or other reproductive harm. For more information go to [www.P65Warnings.ca.gov](http://www.P65Warnings.ca.gov).**

# IMPORTANT SAFETY NOTICE

## 1.2 Electrical requirements

**Important:** Observe all governing codes and ordinances.

It is the customer's responsibility:

- To contact a qualified electrical installer.
- To assure that the electrical installation is adequate and in conformance with National Electrical Code, ANSI/NFPA 70 latest edition\* or CSA standards C22.1-94, Canadian Electrical Code, Part 1 and C22.2 No.0-M91 - latest edition\*\* and all local codes and ordinances.

\* National Fire Protection Association Batterymarch Park, Quincy, Massachusetts 02269

\*\* CSA International 8501 East Pleasant Valley Road, Cleveland, Ohio 44131-5575

If codes permit and a separate ground wire is used, it is recommended that a qualified electrician determine that the ground path is adequate.

Do not ground to a gas pipe.

Check with a qualified electrician if you are not sure the range hood is properly grounded.

Do not have a fuse in the neutral or ground circuit.

This appliance requires a 120V 60Hz electrical supply and connected to an individual properly grounded branch circuit protected by a 15 or 20 ampere circuit breaker or time delay fuse. Wiring must be 2 wire with ground. Please also refer to Electrical Diagram on product.

A cable locking connector (not supplied) might also be required by local codes.

Check with local requirements, purchase and install appropriate connector if necessary.


# PRODUCT FEATURES / SPECIFICATION CHART

## 2.1 Product Features

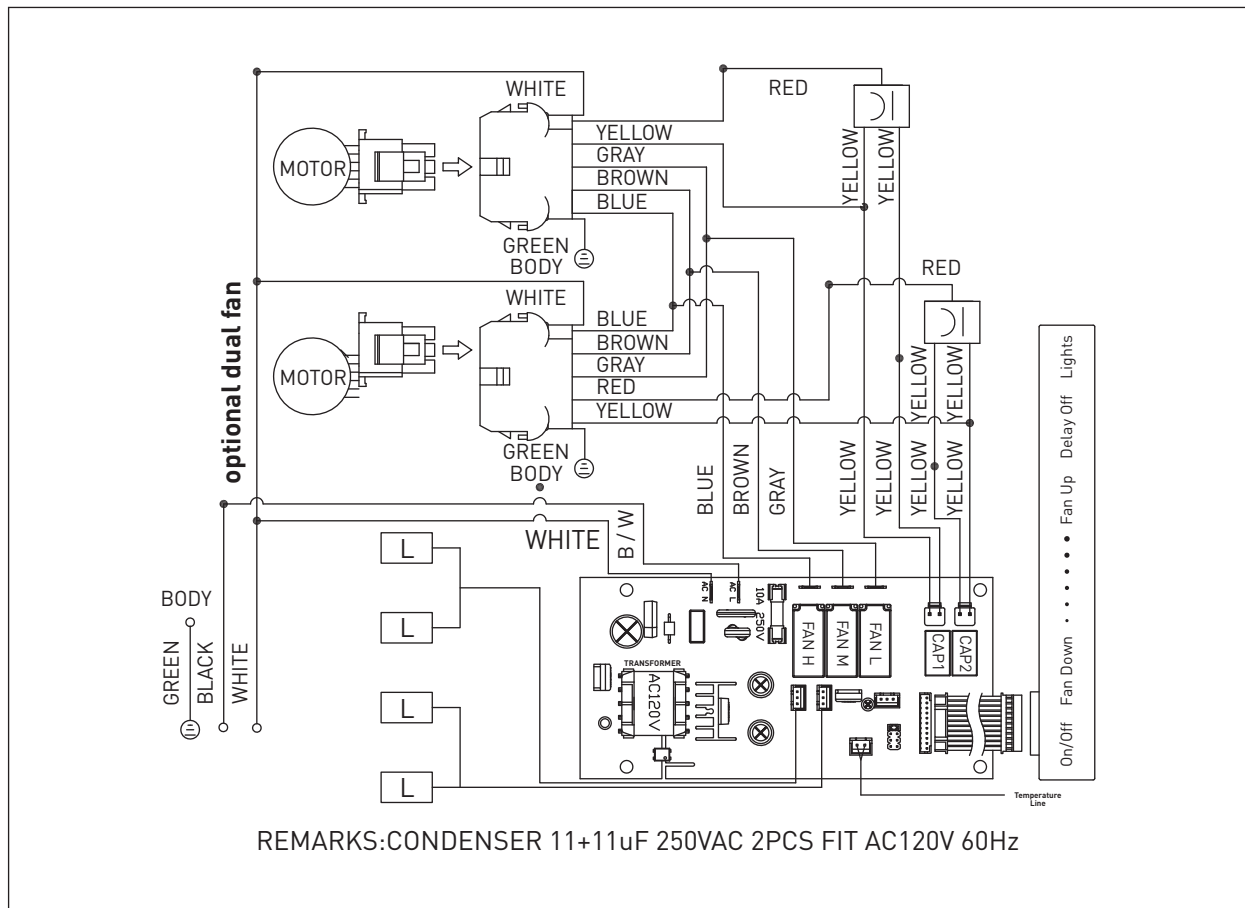
1. 6-speed options.
2. Dual level lighting: Bright, Dim and Off.
3. Gesture control function: Turn On and Off, adjust the fan speed.
4. Heat sensor: Automatically detect temperature and turn on and off the hood.

# PRODUCT FEATURES / SPECIFICATION CHART

## 2.2 Specification Chart

Models	XLH36 / XLH48 / XLH60
Net Weight (lbs)	54.5 / 63.6 / 72.1
Measurement (inches)	(W)34-5/16 × (D)22-1/2 × (H)12 (W)46-3/8 × (D)22-1/2 × (H)12 (W)58-15/16 × (D)22-1/2 × (H)12
Maximum Voltage	120V – 60Hz
Exhaust Pipe Diameter	Round 10 inches
Light	6W LED × 4
Certification	

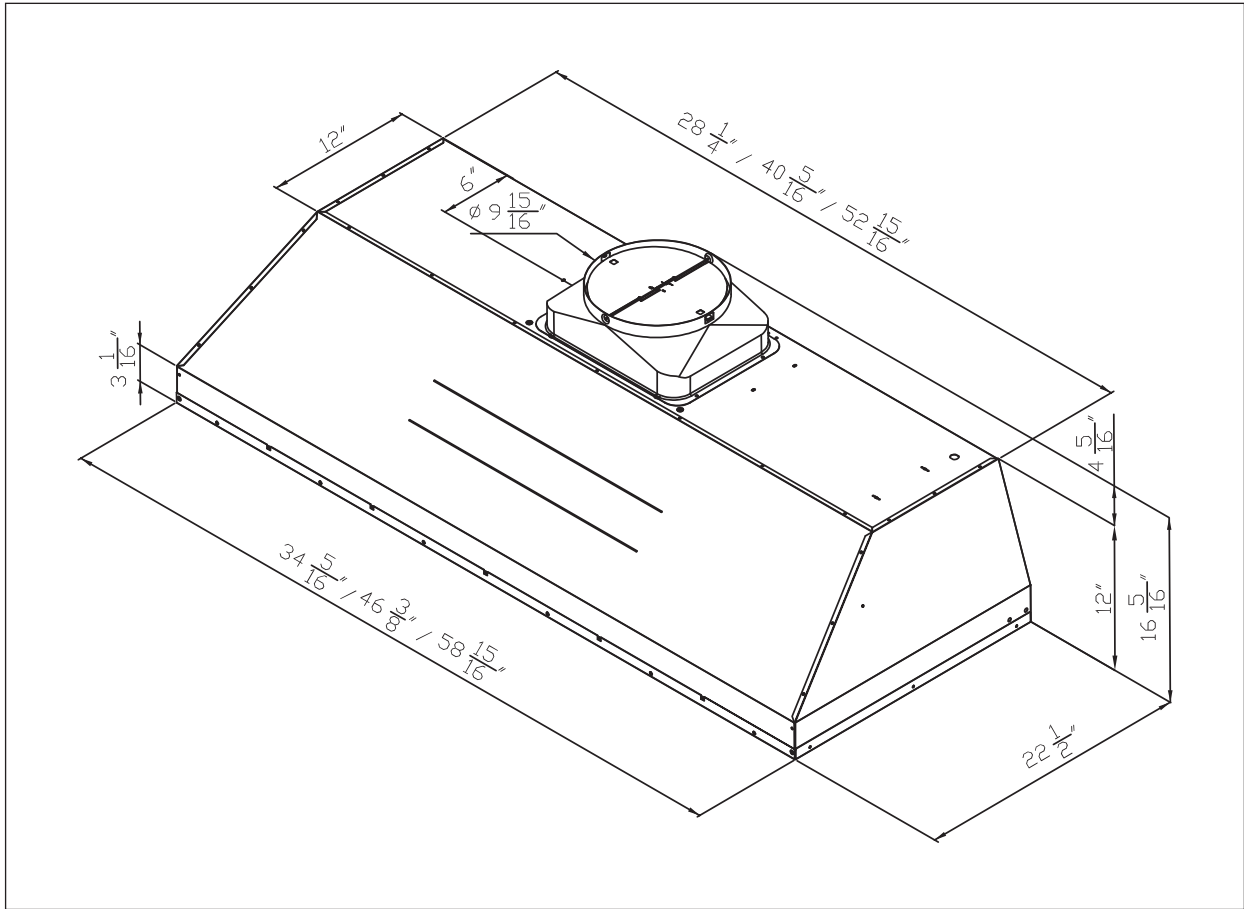
## 2.3 Circuit Diagram



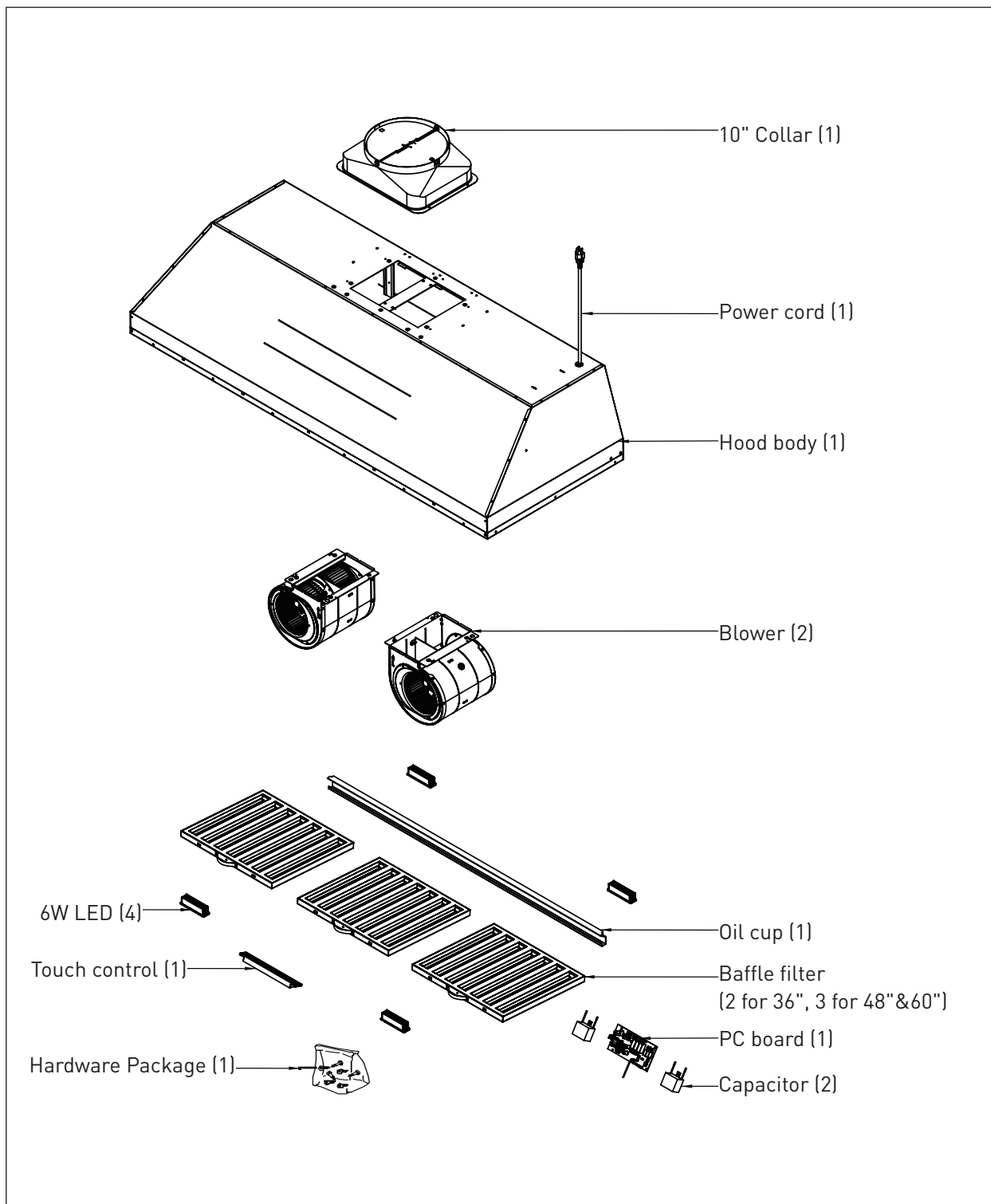


# PRODUCT FEATURES / SPECIFICATION CHART

## 2.4 Hood Specifications









# EXPLODED DIAGRAM



# LIST OF MATERIALS

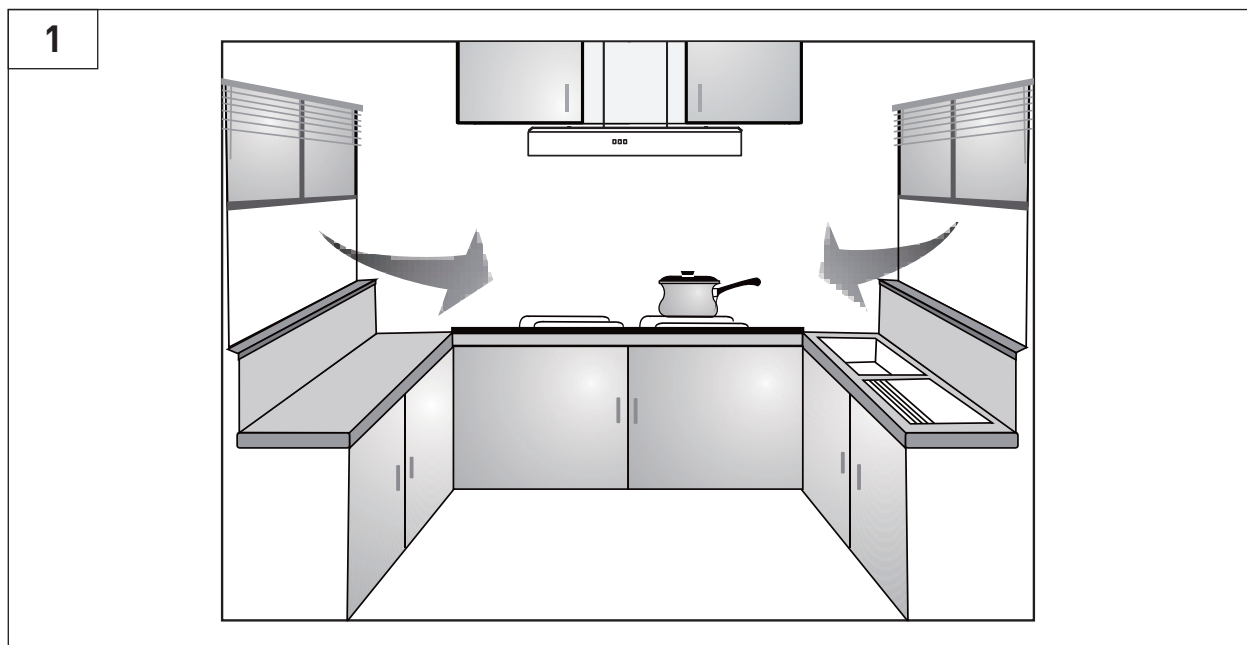
## 3.1 Parts Supplied

Standard configuration			Hardware packet content		
Hood		1	#8 x 1/2" Flat Head Screw		12
User Manual		1	M4 x 6mm Self Tapping Screw		4
10" round duct collar		1			
Hardware Bracket		1			

# INSTALLATION GUIDELINES

## 4.1 Location

- Air turbulence from window/door may reduce the effectiveness of hood. Suggest to close window/door before using hood. (**FIG. 1**)
- The smoke has to rise up to 10 inches from cook top in order to reach hood's suction efficiency range.



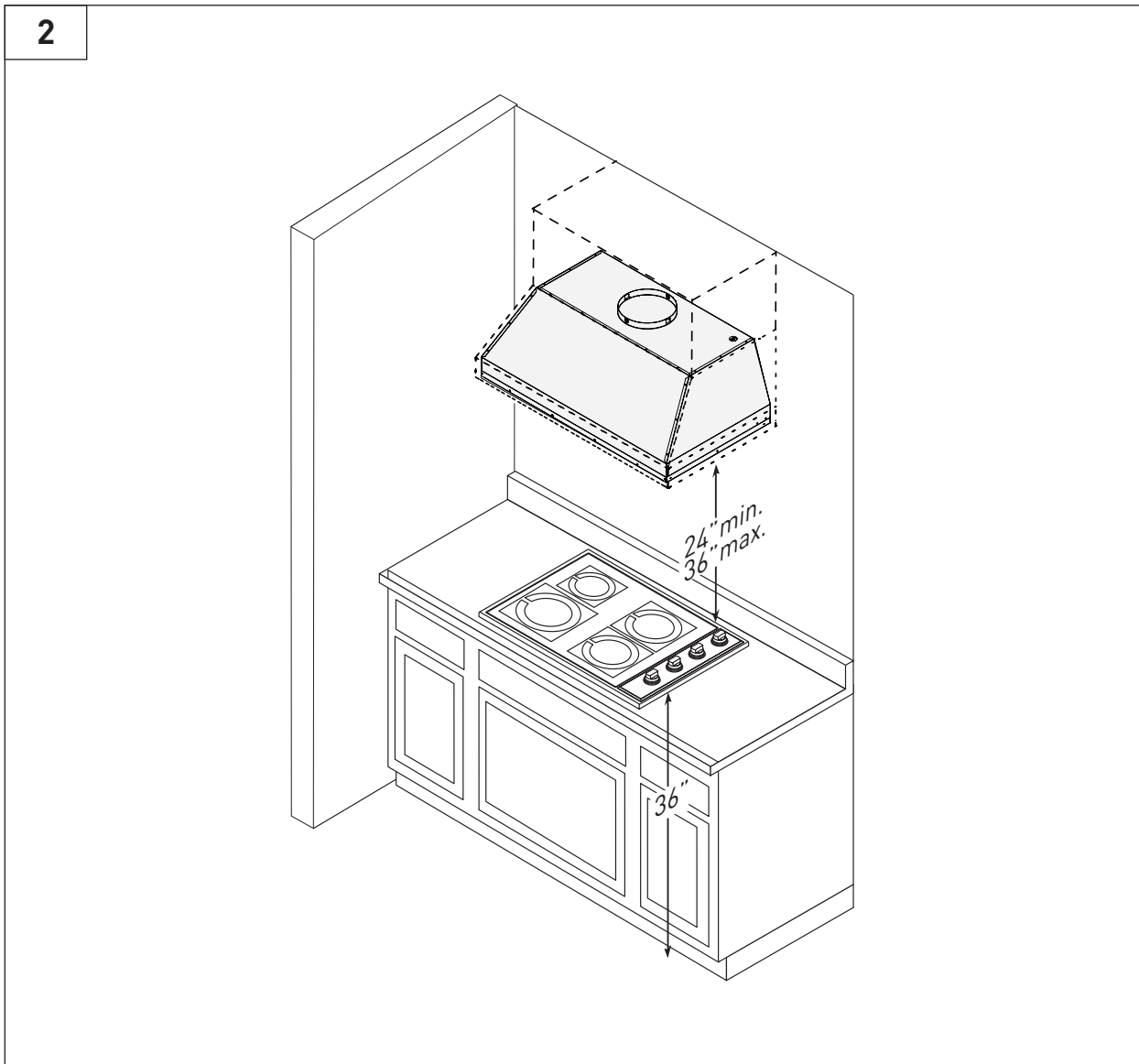
## 4.2 Exhaust duct

- 10" diameter exhaust duct is recommended to use in order to maximize suction efficiency.
- Before installing the hood, please apply fast drying glue to the collar and securely attach it to the top of cooker hood's vent lid. Install the cooker hood and exhaust duct to the plastic collar and seal with fast drying glue.

# INSTALLATION GUIDELINES

## 4.3 Position

- The installation height is measured vertically from center of aluminum filter of hood to the top of the cook top.
- The min height is 24 inches and the max installation height is 36 inches for gas hob. **(FIG. 2)**
- Avoid left-right or front-dropped inclination.



# OPERATING INSTRUCTIONS

On / Off    Fan Down    • • • • •    Fan Up    Delay Off    Lights

## **WARNING**

When the sensor encounters heavy smoke or is obscured by an object, there is a chance to activate the gesture function to automatically turn on the hood.

## **Gesture Function**

### **While the fan is off**

- Wave your hand in front of the control panel from left to right, the hood will turn on at speed 1.
- When turning off the fan, there is no action when swiping to the left.
- The hood has a memory function to remember the last used settings for the fan and lights.

### **While the fan is on**

- Wave your hand from left to right in front of the control panel to increase fan speed, from right to left to decrease fan speed.
- When the fan is on speed 1, waving your hand from right to left will turn off the entire hood (fan and lights).

## **NOTICE**

- The distance between hand and the sensor should be no more than 4 inches.
- The sensors are located at the right and left of the control panel.

## **Heat Sensor**

This hood is equipped with a Heat Sensor.

- Automatic Fan Activation: When the hood is turned off, the fan will automatically start at speed 3, if the heat sensor detects a temperature exceeding 55°C (131°F) above the cooking surface. The fan will turn off automatically when the temperature drops to 40°C (104°F).
- Temporary Sensor Disable: If the heat sensor detects a temperature exceeding 55°C (131°F) while the hood is off, and you adjust the fan speed or use the delay-off function, the sensor will be temporarily disabled for 20 minutes. After this period, the sensor will reactivate and resume monitoring.

**NOTICE** The heat sensor will be disabled when you press the fan up/down buttons or the delay off button.

### **1. On/Off**

- Press to turn power on and off for the entire hood (fan and lights).
- Hood will remember the last speed and light level it was turned off at.

# OPERATING INSTRUCTIONS

## Control Panel Lock Function

- Activate the control panel lock function  
While the hood is off, press and hold On/Off for 3 seconds to activate the control panel lock function, all the fan speed indicator will illuminate.
- Deactivate the control panel lock function  
While the control panel lock function is activate, press and hold the On/Off for 3 seconds to deactivate the control panel lock function, all the fan speed indicator will turn off.

**NOTICE** When the control panel lock function is activated, all buttons on the control panel, including gesture functions, will be disabled. This feature is intended for use during surface cleaning to prevent accidental activation of the hood.

## 2. Speed Selection Button

### Fan Down

- Press to decrease fan speed from 6, 5, 4, 3, 2, 1, off.

### Fan Up

- Press to increase fan speed from 1, 2, 3, 4, 5, 6.

## 3. Delay Off

- While the fan is on, press and hold Delay off button for 2 seconds to enable the delay off function, all the fan speed LED indicator will keep slowly blink.
- In the setting state, press Fan Down or Fan Up button to set the delay time range from 2mins to 12 mins, default is 2 mins.
- The selected minute will correspond to the flashing of the fan speed LED indicator. For example, selecting 2 minutes = fan speed 1 slowly blink.
- The delay off timer will automatically confirm if without any operation in 5 seconds.
- When the delay off function is operating, the fan will change to speed 1 and starts the delay off countdown, use the gesture function or press the Fan Down or Fan Up button can switch the fan speed.
- After the timer expires, the fan and lights will power off.

**NOTICE** When the delay off function is operating, press Delay off button to disable the delay off function, press On/Off button will turn off the entire hood and delay off function.

## 4. Lights

- Press to change lighting level from Low, High, off.

# OPERATING INSTRUCTIONS

## 5. Filter Clean Reminder

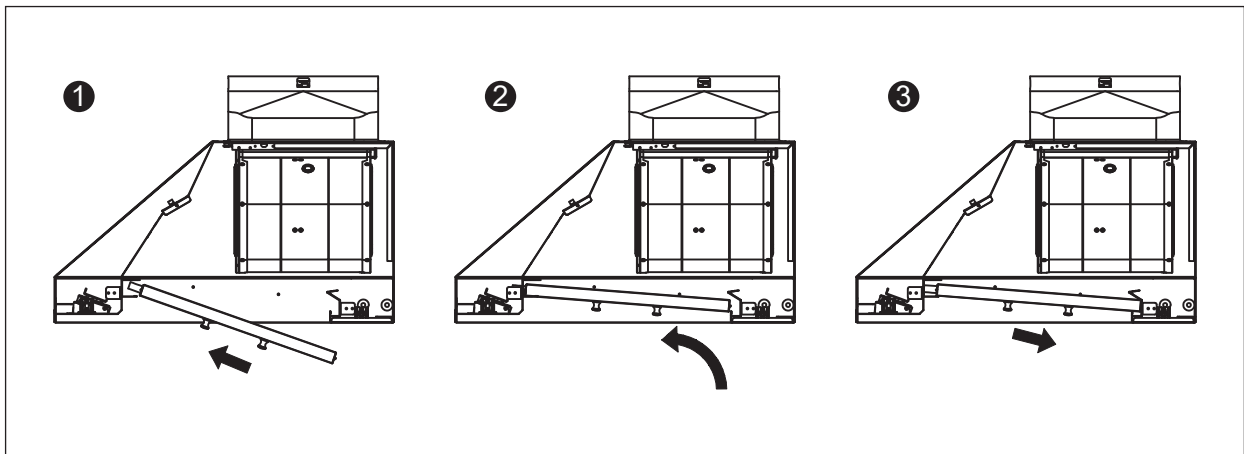
- After 30 hours of fan usage, all the fan speed LED indicator will begin to slowly blink indicating it is time to clean the filters.
- Keep pressing the Lights button for 3 seconds to remove this symbol if the filter have been cleaned.

**NOTICE** The fan speed LED indicator will continued blinking when the fan off until pressed the Lights button for 3 seconds to remove the reminder.

## BAFFLE FILTER INSTALLATION, REMOVAL AND MAINTENANCE

### Installing the Baffle Filters

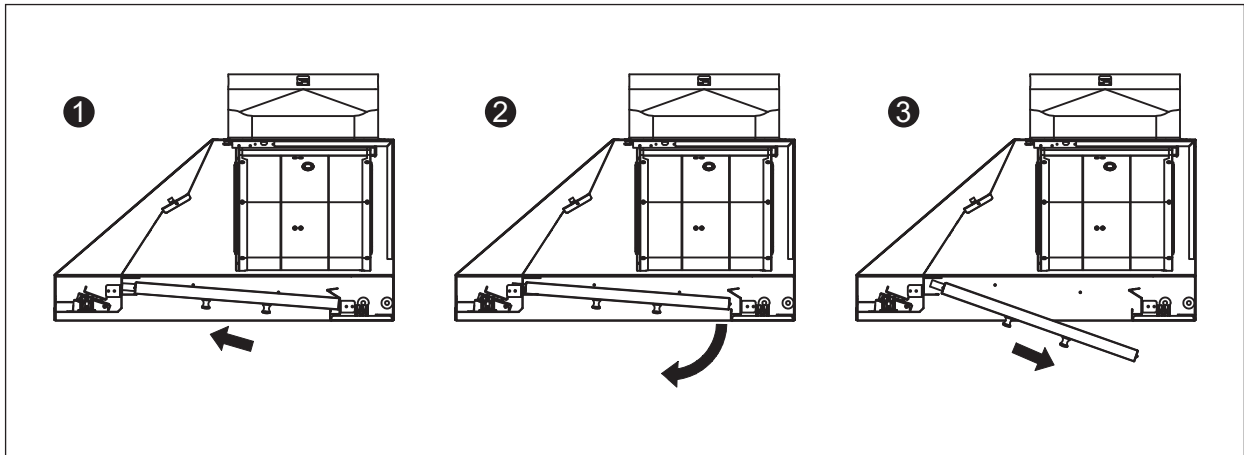
1. Place filter into top groove of the liner as shown and pull towards front of liner using handles.
2. Pivot back of filter upwards so it is angled in the liner.
3. Push filter into channel on back of liner to lock into place.



# BAFFLE FILTER INSTALLATION, REMOVAL AND MAINTENANCE

## Removing the Baffle Filters

1. Pulling filter toward front of liner.
2. Pivoting rear of filter down.
3. Pull filter out of the channel on front of liner to remove.



## Cleaning the Baffle Filters

The filters are intended to trap residue and grease from cooking. Although the filters should never need replacing, they are required to be cleaned every 30 days or more often depending on cooking habits. Filters may be placed in dishwasher at low heat or soaked in hot soapy water. Dry filters and re-install before using hood.

# REPLACING LIGHT STRIP

## LED Light:

For LED light strip replacement or service, please contact Thor Kitchen customer service or parts department.

### **⚠ WARNING**

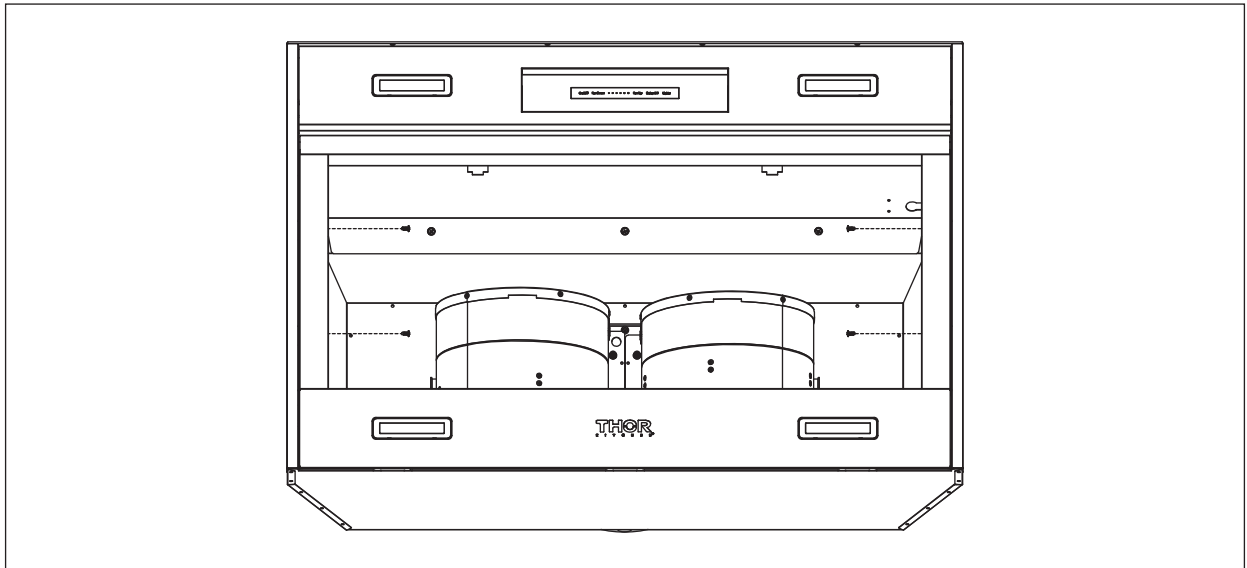
Improper installation, service, or maintenance may cause injury or damage. Refer to this manual for detailed instructions. All other service should be performed by an authorized service provider.

Failure to follow these instructions can result in serious injury, fire, or electrical shock.

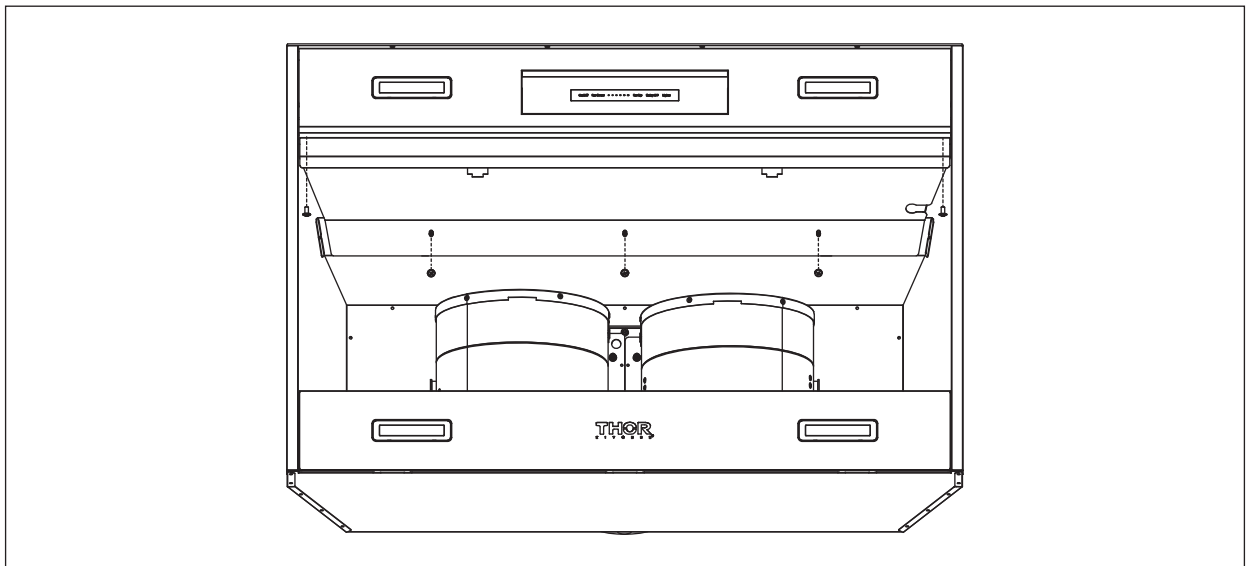
1. After turning off the power, remove baffle filters.
2. Remove two screws on both sides and remove the side panel. (for 36" & 60")



## REPLACING LIGHT STRIP

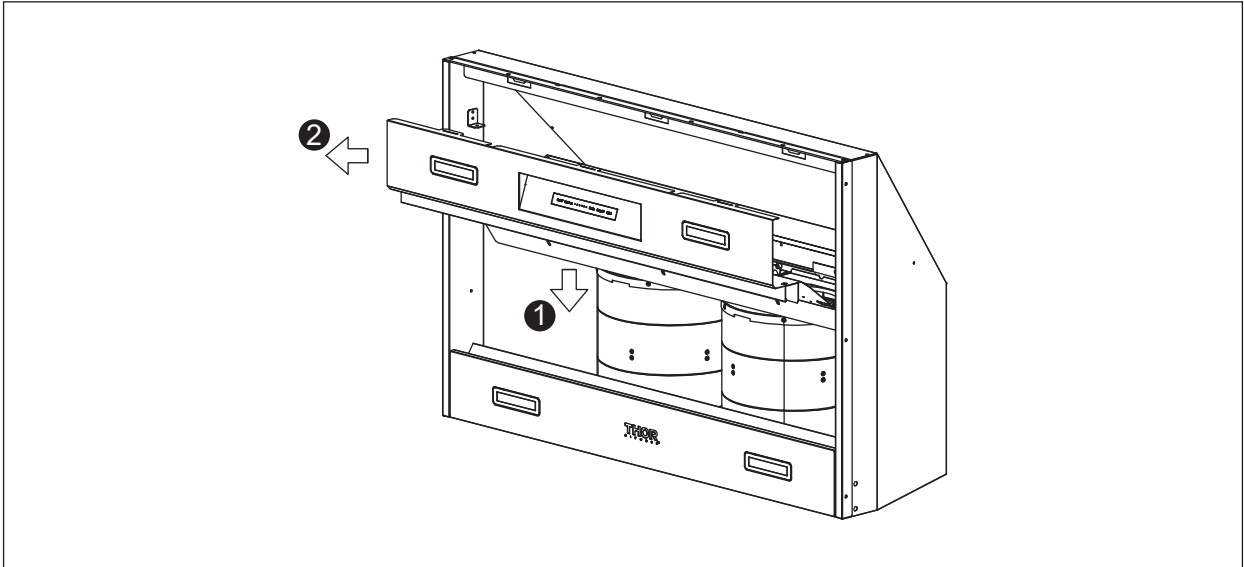


3. Remove light panel by five screws.

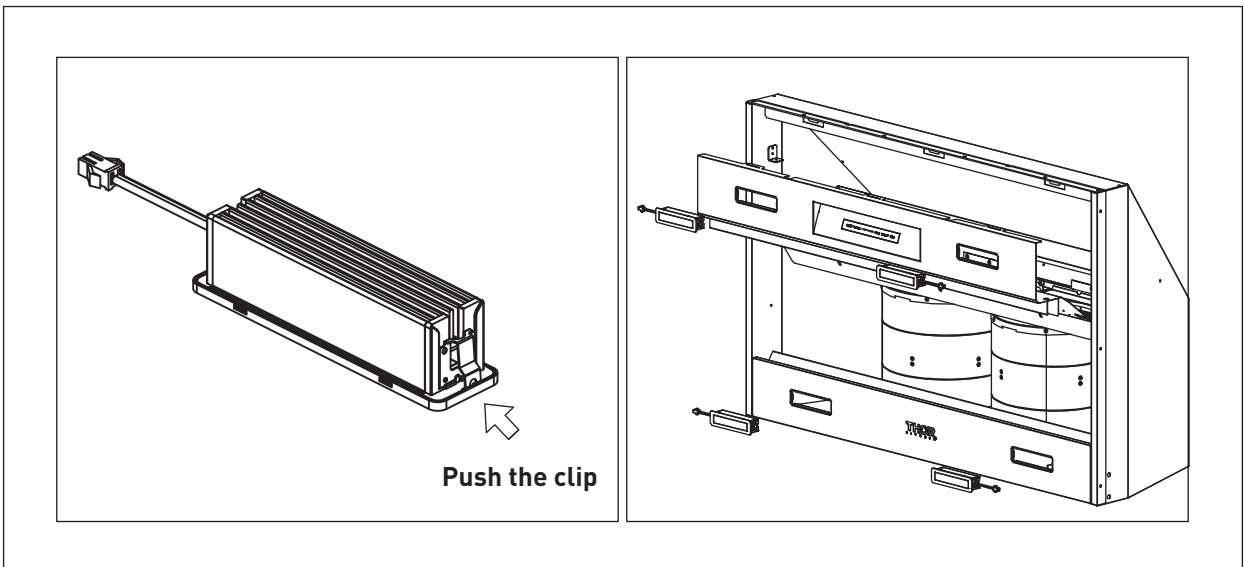


## REPLACING LIGHT STRIP

4. Press the light panel and pull it forward to remove the lighting panel.



5. Disconnect LED light quick connector.
6. Push the clips on each side of the LED light strips simultaneously and take off the light strip.



# SURFACE MAINTENANCE

## 5.1 Surface Maintenance

1. Please clean the range hood surface regularly with warm soapy water and wipe with a cotton cloth to prevent grease from accumulating.
2. Please do not use harsh cleansers or coarse material to clean the surface because that will damage the surface.
3. A non-invasive stainless steel polish is recommended to polish the surface after cleaning.
4. Please use soft material for polishing because it will make your range hood surface shinier.
5. Please do not use cleaning solutions that have bleach as an ingredient.

## 5.2 Surface Cleaning and Maintenance

1. Always disconnect from power supply before cleaning.
2. Clean both exterior and interior of the hood for long lasting. Do not use abrasive cleanser.
3. Make a habit of turning on the hood first before turning on the stove to avoid high temperature in the kitchen.

# CAUTIONS

## 6.1 Special Attention when Using the Range Hood

- The range hood must be turned on every time before cooking to ensure maximum ventilation effect.
- If there is damage to the power cord, removing and changing the power cord must be handled by the manufacturer, installer or a qualified electrician.
- When the range hood, gas stove, or other fuel appliances are being used simultaneously, there must be good ventilation in the kitchen.
- If cleaning the range hood is conducted without following the instructions in the manual, you may risk causing a fire.
- Do not light a fire directly under the range hood.
- The exhaust gas from the range hood can't be fed into the exhaust channel of the gas stove or any other appliances.
- The minimum distance required between the top of the stove and the bottom of the range hood is 24 inches. If the range installation manual states that more distance are required, it must be taken into consideration. Adjust range hood to appropriate height for complete emission of exhaust.
- To avoid danger, parts in the range hood must be disassembled with tools, and not using bare hands.

## TROUBLESHOOTING

Problem	Possible cause	Solution
Motor stops running	1. No power (burned wire) or burned fuse.	1. Replace the PC board. 2. Check power meter (replace power cord).
	2. Motor temperature regulator is off and can't be recovered.	2. Replace motor.
	3. Motor copper wire is burned.	3. Replace motor.
	4. Capacitor defected.	4. Replace capacitor.
Motor speed slows down automatically	1. Distorted capacitor or low power.	1. Replace capacitor.
	2. Motor defected.	2. Replace motor.
Inverted fan blades	1. Short circuit on the motor.	1. Replace motor.
	2. Air comes out of the air outlet instead of sucks up.	2. Air outlet or exhaust pipe is blocked and needs cleaning.
Motor doesn't regulate speed	1. Capacitor defected.	1. Replace capacitor.
	2. Electrical wiring is off.	2. Fix the electrical wires.
Motor runs on and off	1. Motor stops running when it reaches unusual high temperature, and starts again when it cools down to normal cooking temperature. This is cause by temperature running too high during cooking.	1. Recommend changing your cooking routine slightly.
		2. Replace motor.
Two sections of the LED light not working	1. LED light failed.	1. Replace LED light.



## Warranty&Service

This product has been manufactured by Thor International, 4651 E Airport Drive, California 91761

For Customer Service, please call (877) 288 - 8099

For the most up to date warranty and service policy, please refer to our website  
[WWW.THORKITCHEN.COM/WARRANTY-REGISTRATION](http://WWW.THORKITCHEN.COM/WARRANTY-REGISTRATION)

For in-warranty service requests, please visit our website at  
[WWW.THORKITCHEN.COM/SERVICE](http://WWW.THORKITCHEN.COM/SERVICE)

**Please Note:** You must provide proof of purchase or installation date for any in-warranty service requests

# TABLE DES MATIÈRES

<b>REMARQUE IMPORTANTE CONCERNANT LA SÉCURITÉ</b> .....	23
1.1 Veuillez lire, puis conserver les présentes consignes .....	23
1.2 Alimentation .....	25
<b>CARACTÉRISTIQUES DU PRODUIT / TABLEAU DES CARACTÉRISTIQUES</b> .....	25
2.1 Caractéristiques du produit .....	25
2.2 Tableau des caractéristiques .....	26
2.3 Schéma du circuit .....	26
2.4 Caractéristiques de la hotte .....	27
<b>SCHÉMA ÉCLATÉ</b> .....	28
<b>LISTE DU MATÉRIEL</b> .....	29
3.1 Pièces fournies .....	29
<b>DIRECTIVES D'INSTALLATION</b> .....	29
4.1 Emplacement .....	29
4.2 Conduit d'évacuation d'air .....	29
4.3 Position .....	30
<b>INSTRUCTIONS D'UTILISATION</b> .....	31
<b>INSTALLATION, RETRAIT ET ENTRETIEN DES FILTRES À CHICANES</b> .....	33
<b>REPLACEMENT DE LA BANDE LUMINEUSE</b> .....	34
<b>ENTRETIEN DE LA SURFACE</b> .....	37
5.1 Entretien de la surface .....	37
5.2 Nettoyage et entretien de la surface .....	37
<b>PRÉCAUTIONS</b> .....	37
6.1 Une attention particulière est de mise lors de l'utilisation de la hotte de cuisine .....	37
<b>DÉPANNAGE</b> .....	38
<b>GARANTIE</b> .....	39

# REMARQUE IMPORTANTE CONCERNANT LA SÉCURITÉ

## 1.1 Veuillez lire, puis conserver les présentes consignes

### **⚠ AVERTISSEMENT**

**Afin de réduire tout risque d'incendie ou d'électrocution, ne pas utiliser ce ventilateur avec un dispositif de commande à semi-conducteur.**

### **ATTENTION**

Pour un usage de ventilation générale exclusivement. Ne pas utiliser pour évacuer des matières et des vapeurs dangereuses ou explosives.

### **⚠ AVERTISSEMENT**

**Afin de réduire tout risque d'incendie, d'électrocution ou de blessures corporelles, veuillez respecter les consignes suivantes :**

- a. Utilisez cet appareil exclusivement de la manière prévue par le fabricant. Si vous avez des questions, veuillez contacter le fabricant.
- b. Avant de procéder à la réparation, à l'entretien ou au nettoyage de l'appareil, coupez l'alimentation au niveau du panneau de service, puis verrouillez le dispositif de déconnexion afin de prévenir tout rétablissement accidentel de l'alimentation. En cas d'impossibilité de verrouillage du dispositif de déconnexion, fixez solidement une note d'avertissement bien visible, notamment une étiquette, sur le panneau de service.

### **⚠ AVERTISSEMENT**

**Afin de réduire tout risque de feu de cuisinière :**

- a. Ne jamais laisser la surface de cuisson sans surveillance lorsque les brûleurs sont réglés sur une chaleur élevée. Les débordements provoquent de la fumée et des résidus graisseux qui risquent de s'enflammer. Faites chauffer l'huile lentement à feu doux ou moyen.
- b. Mettez toujours la hotte en marche lorsque vous cuisinez à feu vif ou lorsque vous faites flamber des aliments (comme les crêpes Suzette, les cerises jubilé, les steaks au poivre flambés).
- c. Nettoyez fréquemment les ventilateurs d'aération. La graisse ne doit pas s'accumuler sur le ventilateur ou le filtre.
- d. Utilisez des casseroles de taille appropriée. Utilisez toujours une batterie de cuisine adaptée à la taille de la plaque électrique.

### **⚠ AVERTISSEMENT**

**Afin de réduire tout risque de blessures corporelles en cas d'incendie de feu de cuisinière, veuillez respecter les consignes suivantes\* :**

- a. ÉTOUFFEZ LES FLAMMES à l'aide d'un couvercle étanche, d'une plaque à pâtisserie ou d'un plateau en métal, puis éteignez le brûleur. ATTENTION DE NE PAS VOUS BRÛLER. Si les flammes ne s'éteignent pas immédiatement, ÉVACUEZ, PUIS APPELEZ LE SERVICE D'INCENDIE.
- b. NE JAMAIS SOULEVER UNE CASSEROLE EN FEU : vous risquez de vous brûler.
- c. NE PAS UTILISER D'EAU, y compris des torchons ou des serviettes humides : un violent dégagement de vapeur en résulterait.
- d. Utilisez un extincteur EXCLUSIVEMENT si :
  1. Vous savez que vous disposez d'un extincteur de classe ABC et vous savez déjà comment l'utiliser.
  2. Il s'agit d'un incendie mineur et celui-ci est concentré dans la zone où il s'est déclaré.
  3. Vous avez fait appel au service d'incendie.
  4. Vous pouvez combattre l'incendie en ayant une issue derrière vous.

\* Basé sur « Kitchen Firesafety Tips » (Conseils de sécurité pour la cuisine) publié par la NFPA.

# REMARQUE IMPORTANTE CONCERNANT LA SÉCURITÉ

## **⚠ AVERTISSEMENT**

**Afin de réduire tout risque d'incendie, d'électrocution ou de blessures corporelles, veuillez respecter les consignes suivantes :**

- a. Les travaux d'installation et le câblage électrique doivent être effectués par une ou des personnes qualifiées, conformément à tous les codes et normes en vigueur, y compris pour les constructions ignifugées.
- b. Une quantité suffisante d'air est nécessaire pour assurer une combustion et une évacuation correctes des gaz par le conduit d'air (cheminée) des appareils de combustion afin de prévenir tout risque de refoulement. Respectez les directives et les normes de sécurité du fabricant de l'appareil de chauffage, ainsi que celles qui sont publiées par la National Fire Protection Association (NFPA - Association Nationale de Protection contre l'Incendie), l'American Society for Heating, Refrigeration and Air Conditioning Engineers (ASHRAE - Société Américaine des Ingénieurs en Chauffage, Réfrigération et Climatisation) et les codes des autorités locales.
- c. Lorsque vous taillez dans des murs ou des plafonds ou y percez des trous, n'endommager pas les fils électriques ou les conduits qui y sont dissimulés.
- d. Les ventilateurs à enveloppe doivent toujours évacuer l'air vers l'extérieur.
- e. NE JAMAIS placer un interrupteur dans un endroit où il peut être atteint à partir d'une baignoire ou d'une douche.
- f. Assurez-vous que le courant est coupé avant de procéder à l'installation, au câblage ou à l'entretien.

## **⚠ AVERTISSEMENT**

Afin de réduire tout risque d'incendie, utilisez exclusivement des conduits en métal.

## **ATTENTION**

Afin de réduire tout risque d'incendie et d'évacuer correctement l'air vers l'extérieur : ne pas évacuer l'air vicié dans les espaces entre les murs, les plafonds, les greniers, les vides sanitaires ou les garages.

## **UTILISATION**

Laissez toujours les grilles de sécurité et les filtres en place. Sans ces éléments, les souffleurs risquent d'aspirer les cheveux, les doigts et les vêtements amples. Le fabricant décline toute responsabilité en cas de non-respect des consignes données ici pour l'installation, l'entretien et l'utilisation appropriée du produit. Le fabricant décline également toute responsabilité en cas de blessure due à toute négligence et la garantie de l'appareil expire automatiquement en cas d'entretien inapproprié.

## **AVERTISSEMENT EN VERTU DE LA PROPOSITION 65 DE L'ÉTAT DE LA CALIFORNIE**

## **⚠ AVERTISSEMENT**

**Cet appareil contient des produits chimiques reconnus par l'État de Californie comme étant à l'origine de cancers et/ou de troubles de la reproduction, ainsi que de malformations congénitales ou d'autres troubles de la reproduction. Pour de plus amples informations, veuillez consulter le site : [www.P65Warnings.ca.gov](http://www.P65Warnings.ca.gov).**



# REMARQUE IMPORTANTE CONCERNANT LA SÉCURITÉ

## 1.2 Alimentation

**Important :** Respectez tous les codes et ordonnances en vigueur.

Il relève de la responsabilité du client de :

- Contacter un électricien installateur agréé.
- S'assurer que l'installation électrique est adéquate et conforme au Code national de l'électricité, ANSI/NFPA 70 dernière édition\* ou aux normes CSA C22.1-94, Code canadien de l'électricité, Partie 1 et C22.2 No.0-M91 - dernière édition\*\* et à tous les codes et ordonnances locaux.

\* National Fire Protection Association (Association Nationale de Protection contre l'Incendie) Batterymarch Park, Quincy, Massachusetts 02269

\*\* CSA International 8501 East Pleasant Valley Road, Cleveland, Ohio 44131-5575

Si les codes l'autorisent et qu'un fil de mise à la terre distinct est utilisé, nous vous recommandons qu'un électricien qualifié détermine la pertinence du trajet de mise à la terre.

Ne pas raccorder la terre à une conduite de gaz.

En cas de doute sur la mise à la terre correcte de la hotte, veuillez consulter un électricien qualifié.

Ne placer aucun fusible sur le circuit neutre ou le circuit de mise à la terre.

Cet appareil nécessite une alimentation électrique de 120 V 60 Hz et doit être branché à un circuit de dérivation individuel correctement mis à la terre et protégé par un disjoncteur de 15 ou 20 ampères ou un fusible à action lente. Le câblage doit être à 2 fils avec mise à la terre. Veuillez également vous référer au schéma électrique figurant sur le produit.

Un raccord de verrouillage de câble (non fourni) peut également être exigé par les codes locaux.

Vérifiez les réglementations locales, achetez et installez au besoin le raccord approprié.


# CARACTÉRISTIQUES DU PRODUIT / TABLEAU DES CARACTÉRISTIQUES

## 2.1 Caractéristiques du produit

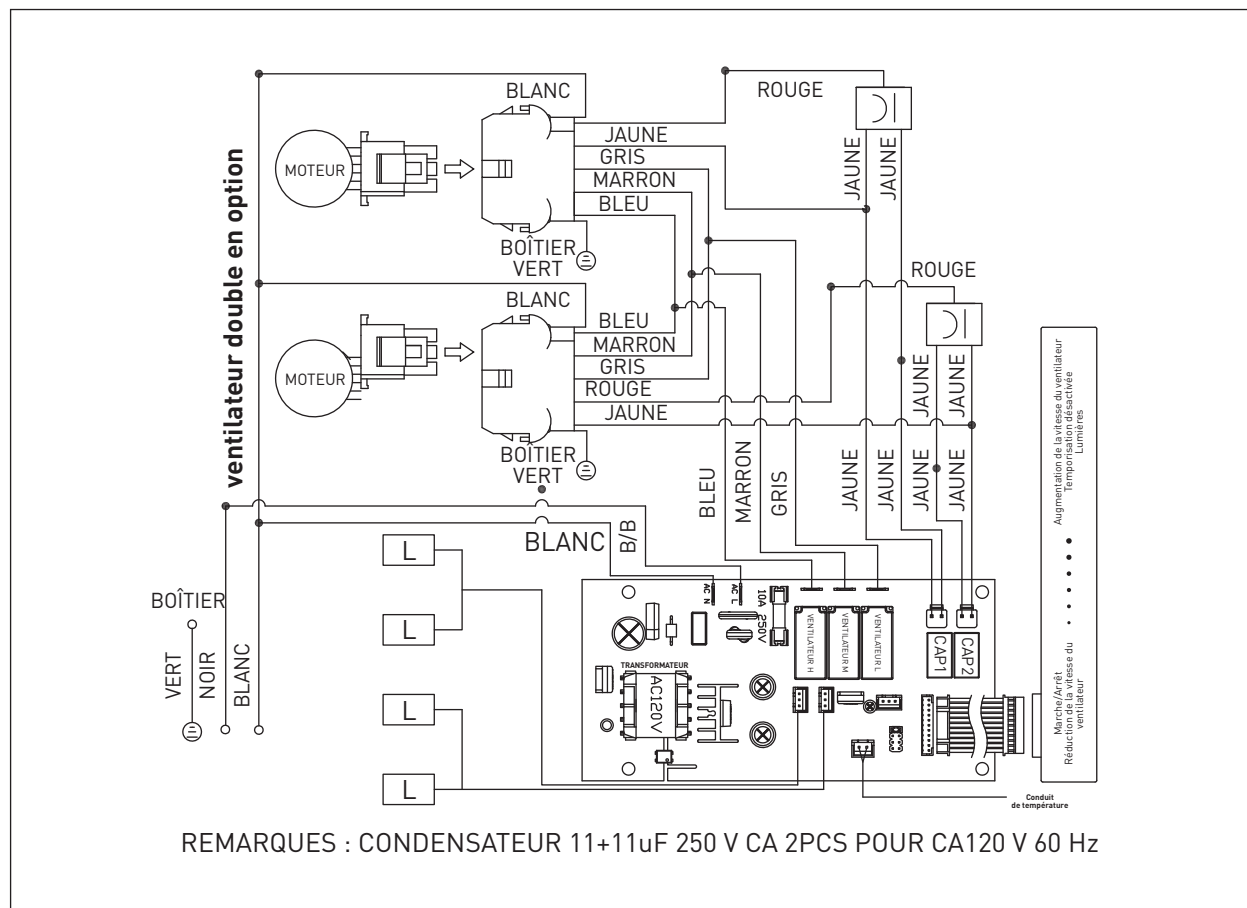
1. Choix entre 6 vitesses.
2. Éclairage à deux niveaux : Vif, Faible et Éteint.
3. Fonction de contrôle gestuel : Activez/désactivez le ventilateur, puis réglez la vitesse du ventilateur.
4. Capteur de chaleur : Permet de détecter automatiquement la température de la hotte et de la faire fonctionner et de l'arrêter.

# CARACTÉRISTIQUES DU PRODUIT / TABLEAU DES CARACTÉRISTIQUES

## 2.2 Tableau des caractéristiques

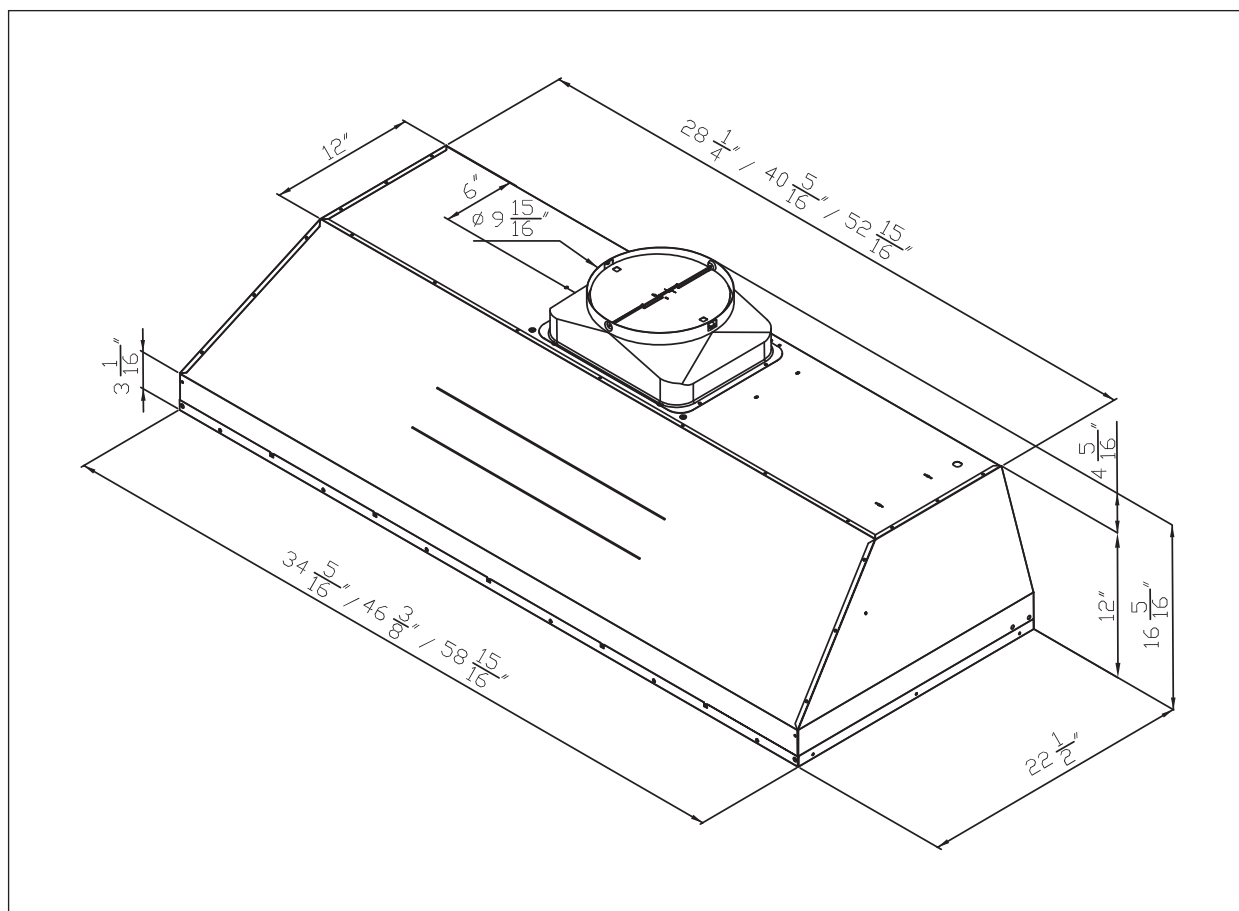
Modèles	XLH36 / XLH48 / XLH60
Poids Net (lb)	54,5/63,6/72,1
Dimensions (pouces)	(L) 34-5/16 × (P) 22-1/2 × (H) 12 (L) 46-3/8 × (P) 22-1/2 × (H) 12 (L) 58-15/16 × (P) 22-1/2 × (H) 12
Tension maximale	120 V – 60 Hz
Diamètre du tuyau d'évacuation	Rond (10 pouces)
Lumière	LED 6 W × 4
Certification	

## 2.3 Schéma du circuit

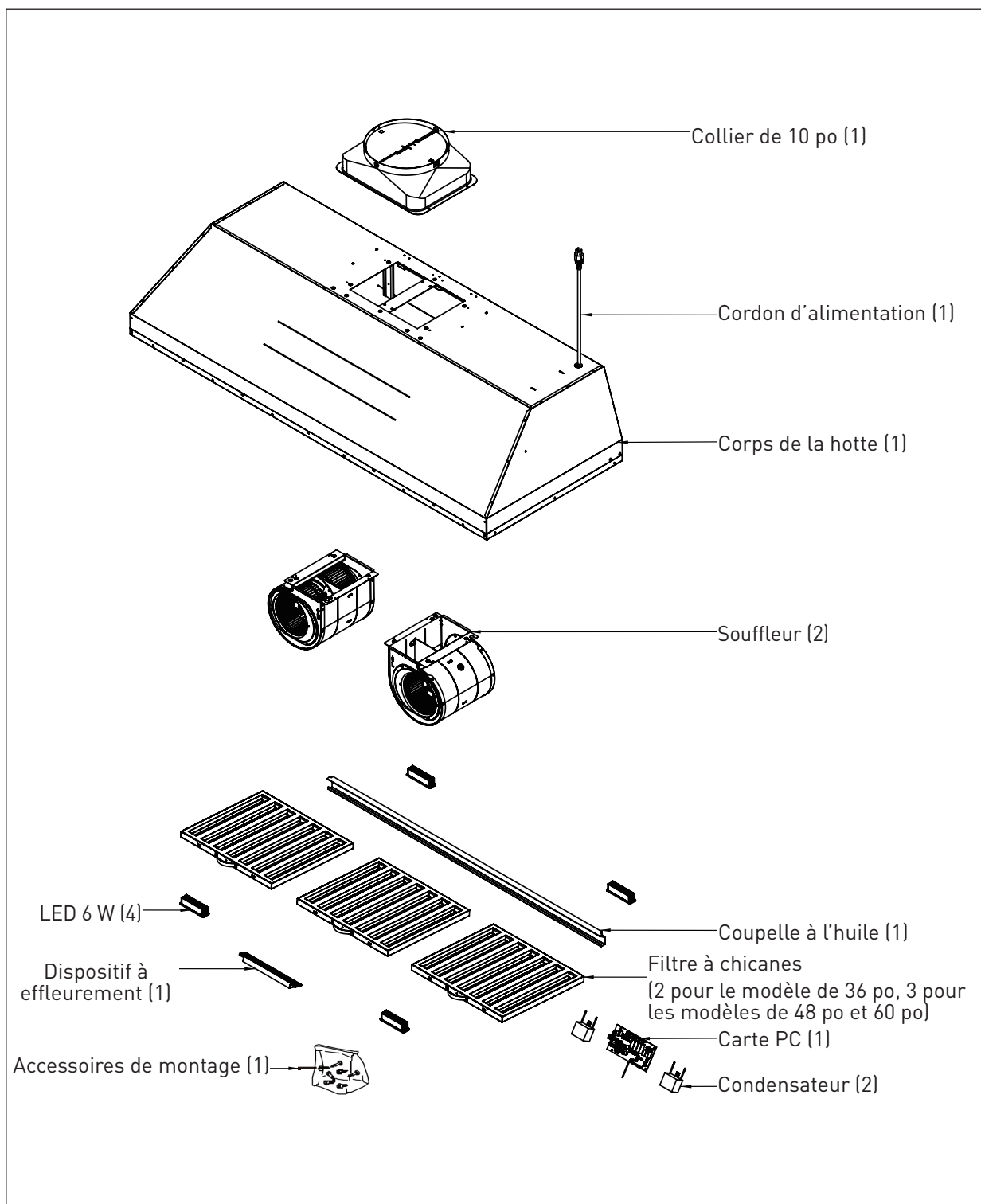


# CARACTÉRISTIQUES DU PRODUIT / TABLEAU DES CARACTÉRISTIQUES

## 2.4 Caractéristiques de la hotte

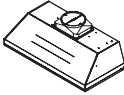







# SCHÉMA ÉCLATÉ



# LISTE DU MATÉRIEL

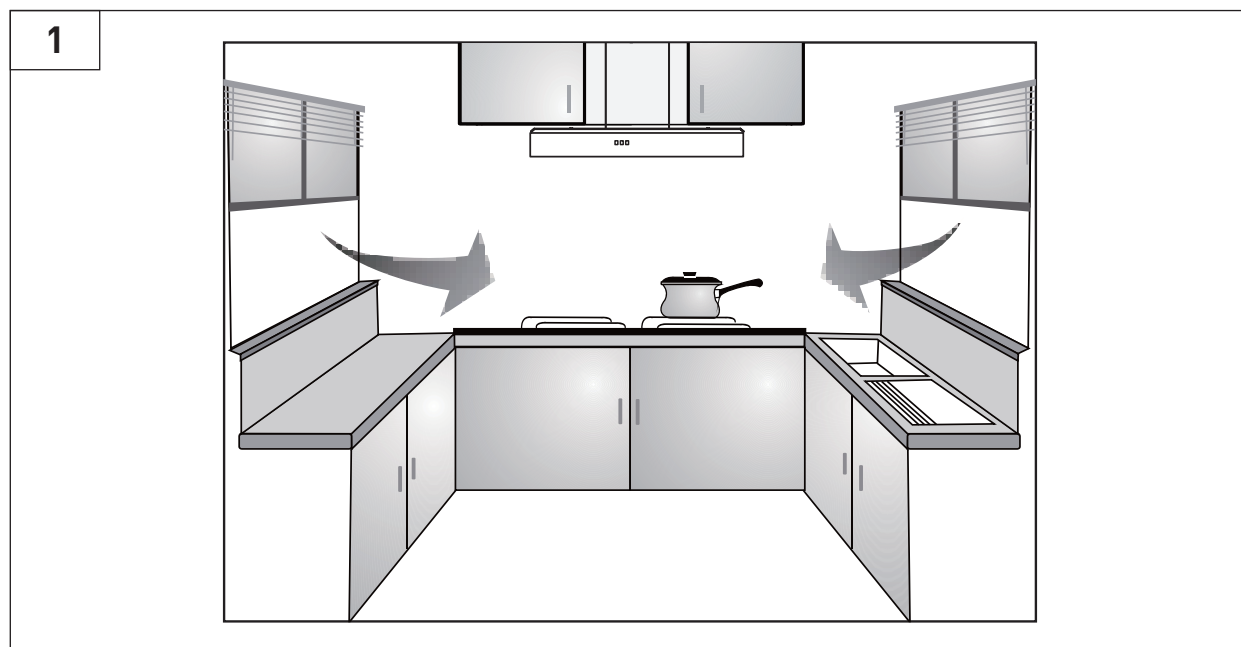
## 3.1 Pièces fournies

Configuration standard		Contenu du paquet de matériel			
Hotte		1	Vis à tête plate (#8 × 1/2 po)		12
Manuel d'utilisation		1	Vis autotaraudeuse (M4 × 6 mm)		4
Collier de conduit rond de 10 po		1			
Support du matériel		1			

# DIRECTIVES D'INSTALLATION

## 4.1 Emplacement

- La turbulence de l'air provenant de la fenêtre ou de la porte peut réduire l'efficacité de la hotte. Nous vous conseillons de fermer la fenêtre/porte avant d'utiliser la hotte. (Ill. 1)
- La fumée doit s'élever jusqu'à 10 pouces du plan de cuisson afin d'atteindre la zone d'efficacité d'aspiration de la hotte.



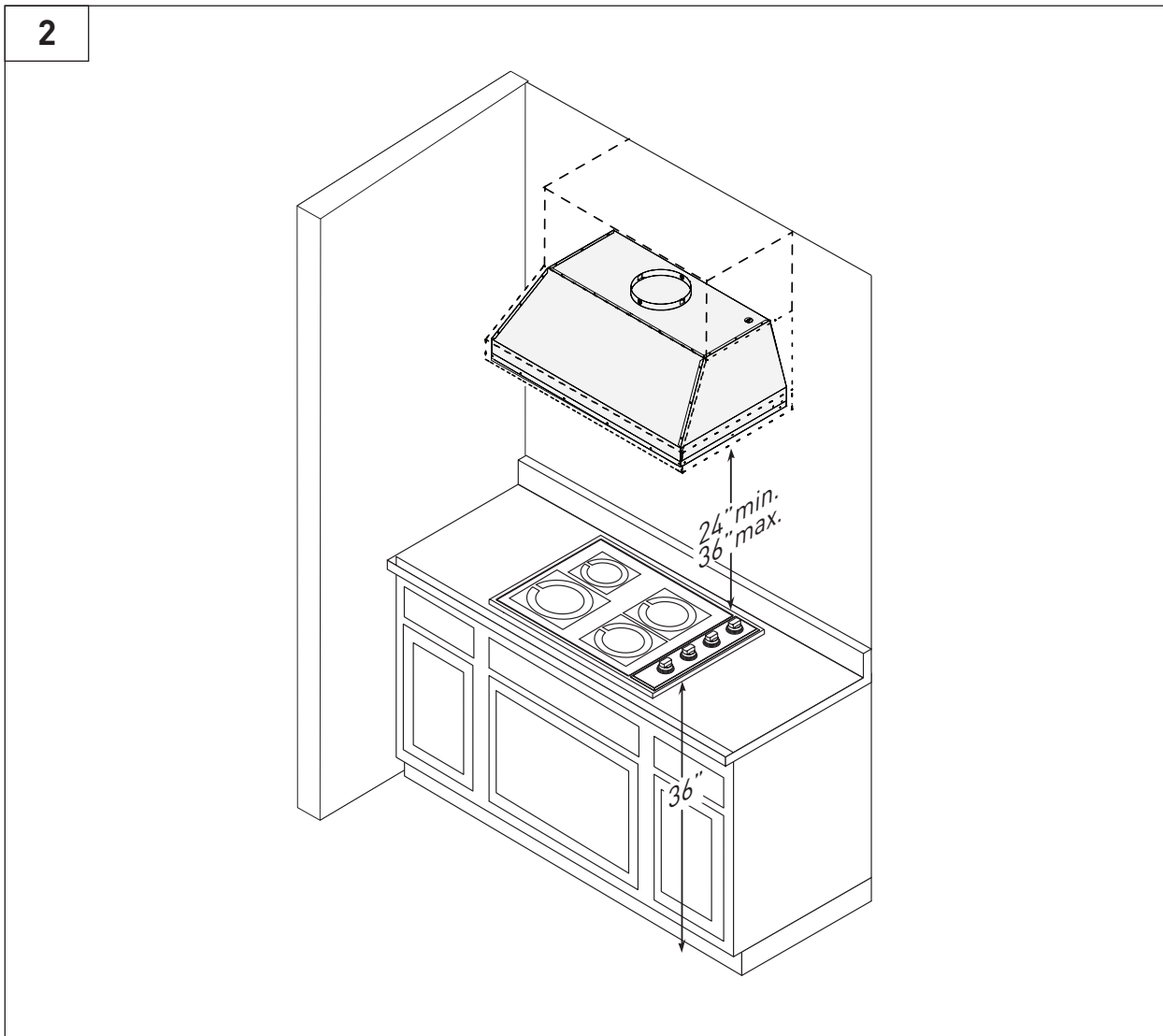
## 4.2 Conduit d'évacuation d'air

- Nous vous recommandons d'utiliser un conduit d'évacuation d'air de 10 po de diamètre afin de maximiser l'efficacité de l'aspiration.
- Avant d'installer la hotte, veuillez appliquer de la colle à séchage rapide sur le collier, puis fixez-le solidement sur la partie supérieure du couvercle d'évent de la hotte. Installez la hotte de cuisine et le conduit d'évacuation d'air sur le collier en plastique, puis scellez avec de la colle à séchage rapide.

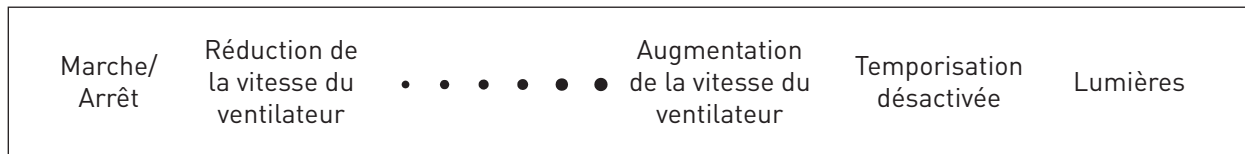
## DIRECTIVES D'INSTALLATION

### 4.3 Position

- La hauteur d'installation est mesurée verticalement du centre du filtre en aluminium de la hotte à la partie supérieure de la surface de cuisson.
- Hauteur minimale : 24 pouces et hauteur maximale d'installation : 30 pouces pour les cuisinières à gaz. (Ill. 2)
- Évitez l'inclinaison gauche-droite ou l'inclinaison vers l'avant.



# INSTRUCTIONS D'UTILISATION



## **▲ AVERTISSEMENT**

Lorsque le capteur rencontre une épaisse fumée ou qu'il est masqué par un objet, il est possible d'activer la fonction Geste pour faire fonctionner la hotte automatiquement.

### **Fonction gestes**

#### **Lorsque le ventilateur est à l'arrêt**

- Agitez la main devant le panneau de commandes de gauche à droite, la hotte se met en marche à la vitesse 1.
- Lors de l'arrêt du ventilateur, absence de réponse lorsque la main est agitée vers la gauche.
- La hotte est dotée d'une fonction de mémorisation des derniers réglages utilisés du ventilateur et des lumières.

#### **Lorsque le ventilateur est en marche**

- Agitez la main de gauche à droite devant le panneau de commandes pour augmenter la vitesse du ventilateur, de droite à gauche pour la réduire.
- Lorsque le ventilateur est à la vitesse 1, l'agitation de la main de droite à gauche éteint l'ensemble de la hotte (ventilateur et lumières).

## **REMARQUE**

- La distance entre la main et le capteur ne doit pas être supérieure à 4 pouces.
- Les capteurs sont situés à droite et à gauche du panneau de commandes.

### **Capteur de chaleur**

Cette hotte est équipée d'un capteur de chaleur.

- Activation automatique du ventilateur : Lorsque la hotte est éteinte, le ventilateur se déclenche automatiquement à la vitesse 3 si le capteur de chaleur détecte une température supérieure à 131 °F (55 °C) au-dessus de la surface de cuisson. Le ventilateur s'arrête automatiquement lorsque la température redescend à 104 °F (40 °C).
- Désactivation temporaire du capteur : Si le capteur de chaleur détecte une température supérieure à 131 °F (55 °C) alors que la hotte est éteinte, et que vous réglez la vitesse du ventilateur ou utilisez la fonction Temporisation de désactivation, le capteur se désactive temporairement pendant 20 minutes. Au bout de cette période, le capteur se réactive et reprend la surveillance.

**REMARQUE** Le capteur de chaleur se désactive lorsque vous appuyez sur les touches d'augmentation/ de réduction de la vitesse du ventilateur ou sur la touche Temporisation désactivée.

#### **1. Marche/Arrêt**

- Appuyez sur cette touche pour mettre sous ou hors tension l'ensemble de la hotte (ventilateur et lumières).
- La hotte se souviendra de la dernière vitesse et du dernier niveau de lumière auxquels elle a été mise hors tension.

# INSTRUCTIONS D'UTILISATION

## Fonction Verrouillage du panneau de commandes

- Activez la fonction Verrouillage du panneau de commandes  
Lorsque la hotte est éteinte, appuyez sur la touche Marche/Arrêt et maintenez-la enfoncée pendant 3 secondes pour activer la fonction Verrouillage du panneau de commandes ; tous les voyants de vitesse du ventilateur s'allument.
- Désactivez la fonction Verrouillage du panneau de commandes.  
Lorsque la fonction Verrouillage du panneau de commandes est activée, appuyez sur la touche Marche/Arrêt et maintenez-la enfoncée pendant 3 secondes pour désactiver la fonction Verrouillage du panneau de commandes ; tous les voyants de vitesse du ventilateur s'éteignent.

**REMARQUE** Lorsque la fonction Verrouillage du panneau de commandes est activée, toutes les touches du panneau de commandes sont désactivées, notamment les fonctions Gestes. Cette fonction est conçue être utilisée en cours de nettoyage des surfaces afin de prévenir tout risque d'activation accidentelle de la hotte.

## 2. Touche de sélection de vitesse

### Réduction de la vitesse du ventilateur

- Appuyez sur cette touche pour réduire la vitesse du ventilateur de 6, 5, 4, 3, 2, 1 à Arrêt.

### Augmentation de la vitesse du ventilateur

- Appuyez sur cette touche pour augmenter la vitesse du ventilateur de 1, 2, 3, 4, 5 à 6.

## 3. Temporisation désactivée

- Lorsque le ventilateur est en marche, appuyez sur la touche Temporisation désactivée (Delay Off) et maintenez-la enfoncée pendant 2 secondes pour activer la fonction Temporisation désactivée (Delay Off), tous les voyants LED de la vitesse du ventilateur clignotent lentement.
- En mode réglage, appuyez sur la touche de réduction de la vitesse du ventilateur ou d'augmentation de la vitesse du ventilateur pour régler le délai de temporisation entre 2 minutes et 12 minutes, la valeur par défaut étant de 2 minutes.
- La minute sélectionnée correspond au clignotement du voyant LED de la vitesse du ventilateur. Par exemple, en sélectionnant 2 minutes, le voyant de la vitesse 1 du ventilateur clignote lentement.
- Le minuteur de temporisation désactivée est confirmé automatiquement en l'absence de toute action dans les 5 secondes.
- Lorsque la fonction Temporisation désactivée est activée, le ventilateur passe à la vitesse 1, puis commence le compte à rebours de la temporisation désactivée. Utilisez la fonction Gestes ou appuyez sur la touche de réduction de la vitesse du ventilateur ou d'augmentation de la vitesse du ventilateur pour changer la vitesse du ventilateur.
- Après expiration de la temporisation, le ventilateur s'arrête et les lumières s'éteignent.

**REMARQUE** Lorsque la fonction Temporisation désactivée est activée, appuyez sur la touche Temporisation désactivée pour désactiver la fonction Temporisation désactivée, appuyez sur la touche Marche/Arrêt pour mettre hors tension l'ensemble de la hotte et désactiver la fonction Temporisation désactivée.

## 4. Lumières

- Appuyez sur cette touche pour changer le niveau d'éclairage de « Faible », « Élevé » à « Éteint ».



# INSTRUCTIONS D'UTILISATION

## 5. Rappel de nettoyage des filtres

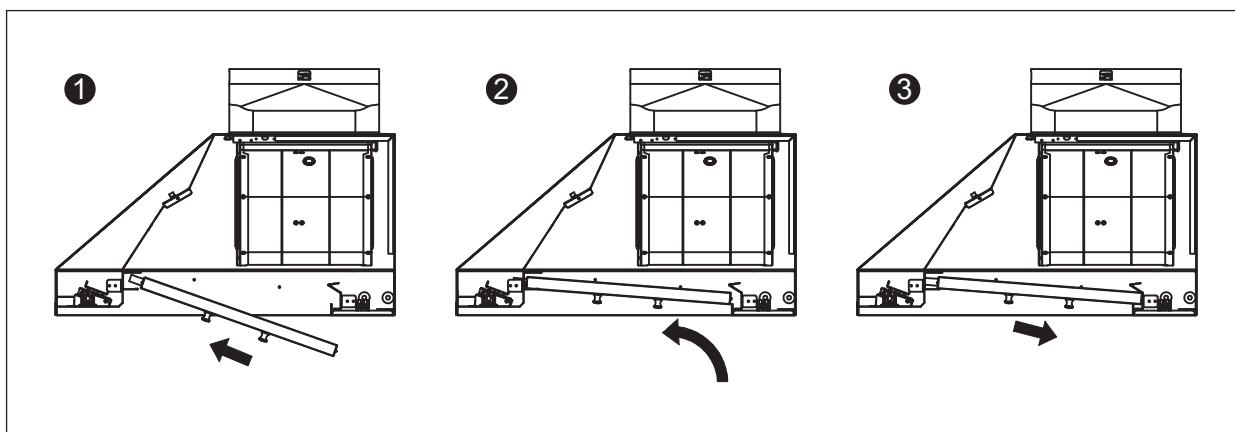
- Au bout de 30 heures d'utilisation du ventilateur, le voyant LED de la vitesse du ventilateur commence à clignoter pour indiquer qu'il est temps de nettoyer les filtres.
- Maintenez la touche Lumières enfoncée pendant 3 secondes pour faire disparaître ce symbole si le filtre a été nettoyé.

**REMARQUE** Le voyant LED de la vitesse du ventilateur continue de clignoter lorsque le ventilateur est à l'arrêt jusqu'à ce que vous appuyiez sur la touche lumières et la mainteniez enfoncée pendant 3 secondes pour annuler le rappel.

## INSTALLATION, RETRAIT ET ENTRETIEN DES FILTRES À CHICANES

### Installation des filtres à chicanes

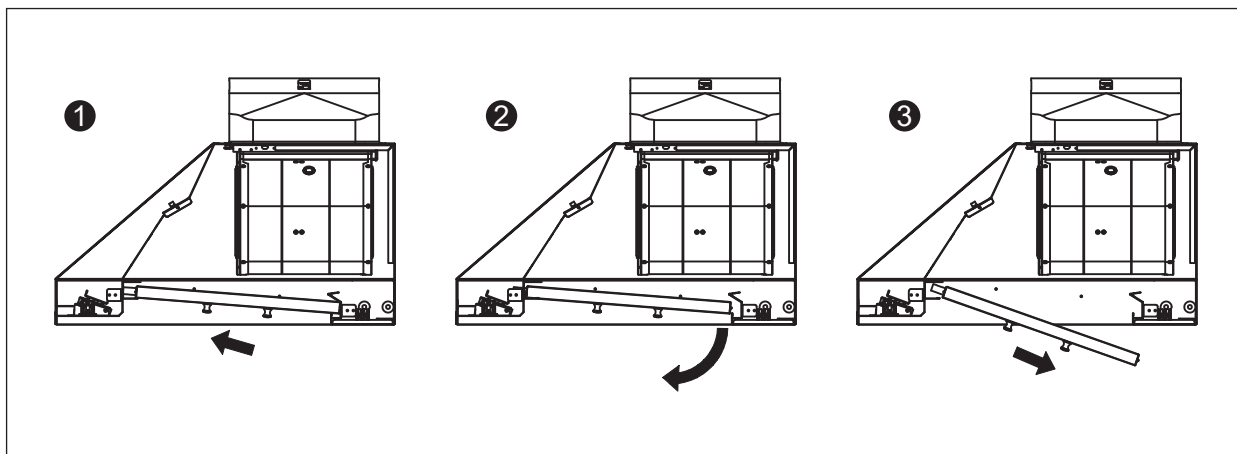
1. Placez le filtre dans la rainure supérieure du revêtement, ainsi qu'illustré, puis tirez-le vers l'avant du revêtement à l'aide des poignées.
2. Faites pivoter le dos du filtre vers le haut de manière à ce qu'il soit incliné dans le revêtement.
3. Enfoncez le filtre dans le canal situé au dos du revêtement pour le verrouiller en place.



# INSTALLATION, RETRAIT ET ENTRETIEN DES FILTRES À CHICANES

## Retrait des filtres à chicanes

1. Procédez en tirant le filtre vers l'avant du revêtement.
2. Faites pivoter le dos du filtre vers le bas.
3. Tirez le filtre hors du canal situé à l'avant du revêtement pour le retirer.



## Nettoyage des filtres à chicanes

Les filtres sont conçus pour retenir les résidus et les graisses provenant de la cuisson. Bien que le remplacement des filtres ne devrait jamais être nécessaire, ils doivent être nettoyés tous les 30 jours ou plus souvent en fonction des habitudes de cuisson.

Les filtres peuvent être placés dans un lave-vaisselle à basse température ou trempés dans de l'eau chaude savonneuse. Séchez les filtres, puis remettez-les en place avant d'utiliser la hotte.

# REEMPLACEMENT DE LA BANDE LUMINEUSE

## Lumière LED :

Pour le remplacement ou l'entretien de la bande lumineuse LED, veuillez contacter le service clientèle ou le service de pièces de Thor Kitchen.

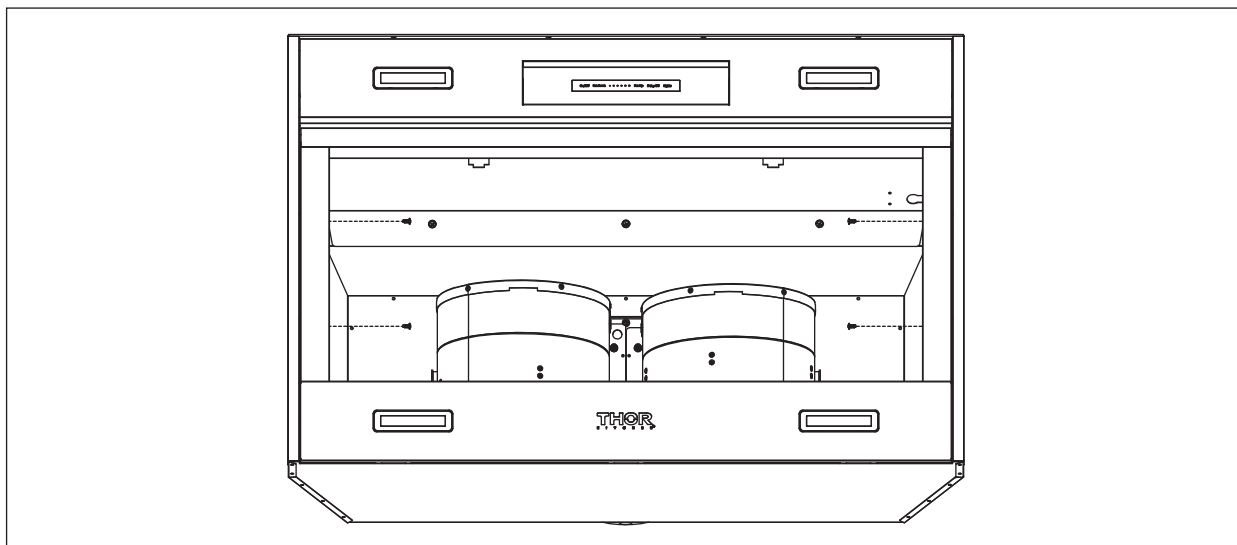
### **⚠ AVERTISSEMENT**

Une installation, un service ou un entretien inadéquats peuvent provoquer des blessures ou des dommages. Consultez ce manuel pour obtenir des instructions détaillées. Tous les autres services doivent être effectués par un fournisseur de service agréé.

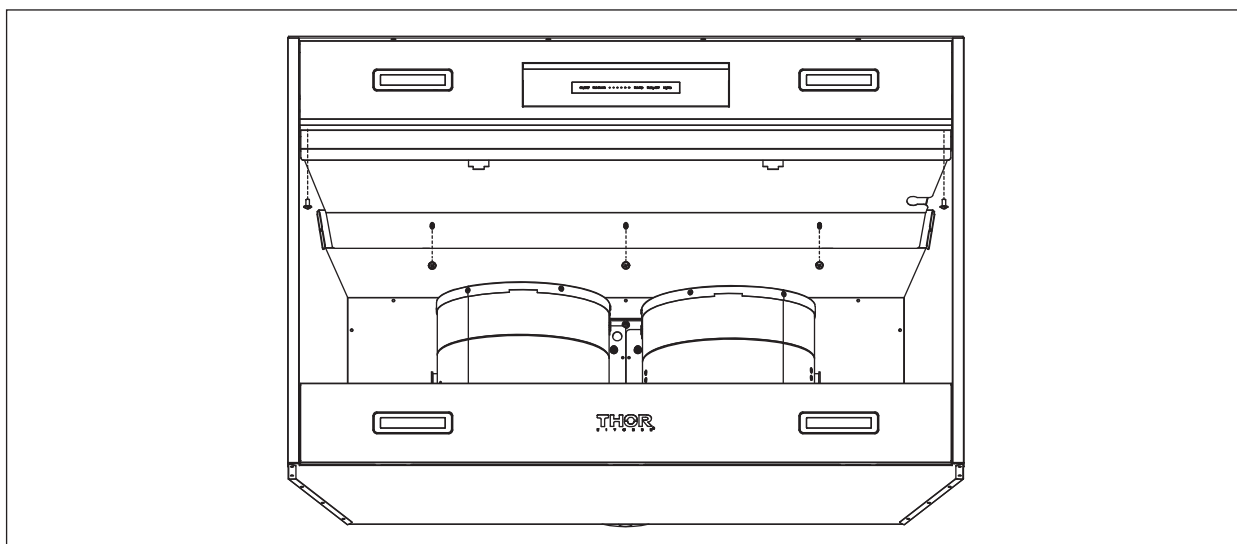
Le non-respect de ces consignes peut entraîner des risques de blessures graves, d'incendie ou d'électrocution.

1. Après mise hors tension de l'appareil, retirez les filtres à chicanes.
2. Retirez les deux vis situées de chaque côté, puis retirez le panneau latéral. (pour les modèles de 36 po et 60 po)

## REPLACEMENT DE LA BANDE LUMINEUSE

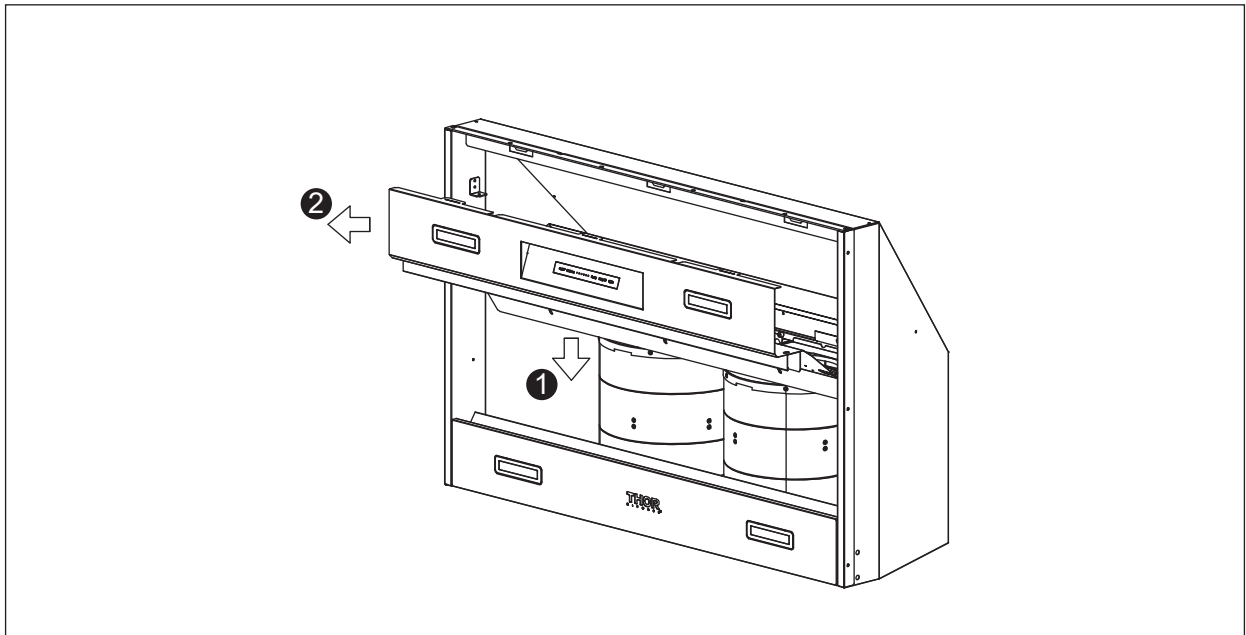


3. Retirez le panneau lumineux à l'aide de cinq vis.



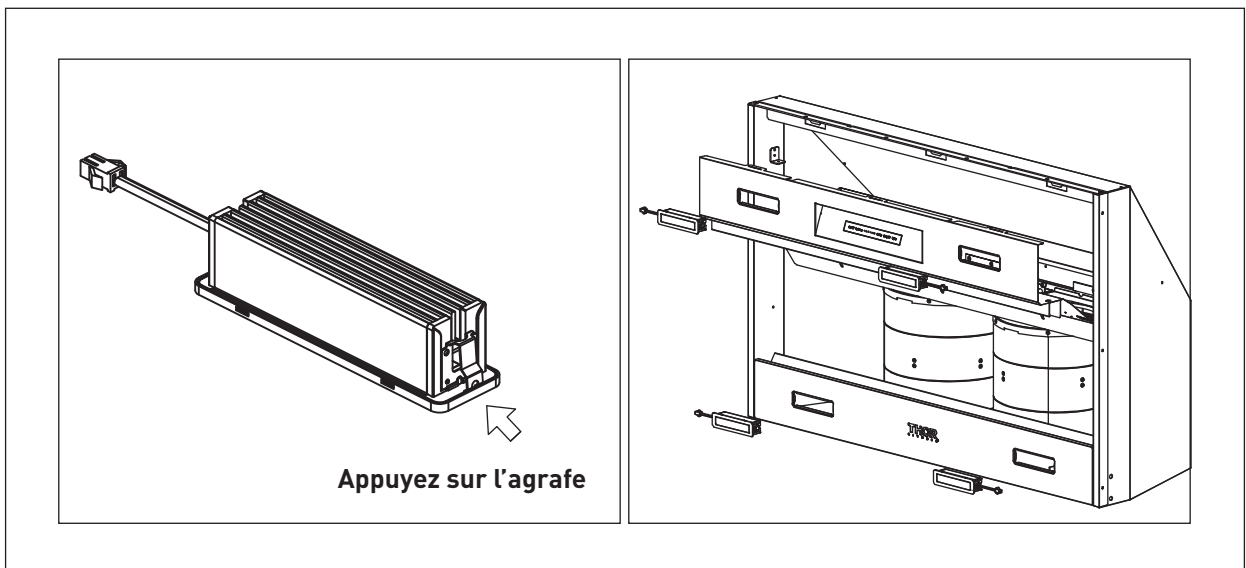
## REPLACEMENT DE LA BANDE LUMINEUSE

4. Appuyez sur le panneau lumineux, puis tirez-le vers l'avant pour le retirer.



5. Débranchez le connecteur rapide de la lumière LED.

6. Appuyez simultanément sur les agrafes de chaque côté des bandes lumineuses LED, puis retirez la bande lumineuse.



# ENTRETIEN DE LA SURFACE

## 5.1 Entretien de la surface

1. Veuillez nettoyer régulièrement la surface de la hotte de cuisine à l'eau tiède savonneuse, puis essuyer à l'aide d'un chiffon en coton afin de prévenir toute accumulation de graisses.
2. Veuillez ne pas utiliser de nettoyeurs agressifs ou de matériaux abrasifs pour nettoyer la surface, car cela risque d'endommager la surface.
3. Nous vous recommandons d'utiliser un produit de lustrage non invasif pour acier inoxydable pour faire briller la surface après nettoyage.
4. Veuillez utiliser un matériau doux pour lustrer la surface de votre hotte de cuisine, car cela la rendra plus brillante.
5. Veuillez n'utiliser aucune solution de nettoyage contenant de l'eau de Javel.

## 5.2 Nettoyage et entretien de la surface

1. Débranchez toujours le produit de la source d'alimentation avant de le nettoyer.
2. Nettoyez à la fois l'extérieur et l'intérieur de la hotte pour assurer une longue durée. Ne pas utiliser de nettoyeur abrasif.
3. Prenez l'habitude de mettre sous tension la hotte en premier lieu avant d'allumer la cuisinière afin d'éviter les températures élevées dans la cuisine.

# PRÉCAUTIONS

## 6.1 Une attention particulière est de mise lors de l'utilisation de la hotte de cuisine

- La hotte de cuisine doit être mise sous tension à chaque fois avant la cuisson afin d'assurer un effet maximal de ventilation.
- En cas d'endommagement du cordon d'alimentation, le retrait et le remplacement du cordon d'alimentation doivent être effectués par le fabricant, l'installateur ou un électricien qualifié.
- Lorsque la hotte de cuisine, la cuisinière à gaz ou tout autre appareil à combustible sont utilisés simultanément, il doit y avoir une aération convenable dans la cuisine.
- En cas de nettoyage de la hotte de cuisine sans le respect des consignes du manuel, vous risquez de provoquer un incendie.
- Ne pas allumer de feu directement sous la hotte de cuisine.
- Les rejets gazeux de la hotte ne peuvent pas être introduits dans le canal d'évacuation de la cuisinière à gaz ou de tout autre appareil.
- La distance minimale requise entre la partie supérieure de la cuisinière et la partie inférieure de la hotte de cuisine est de 24 pouces. Si le manuel d'installation de la cuisinière indique qu'une distance plus importante est requise, cela doit être pris en considération. Réglez la hotte de cuisine à la hauteur appropriée pour une émission complète des gaz de combustion.
- Afin de prévenir tout danger, les pièces de la hotte de cuisine doivent être démontées à l'aide d'outils et non à mains nues.

# DÉPANNAGE

Problème	Cause possible	Solution
Le moteur s'arrête	1. Absence d'alimentation (câble brûlé) ou fusible grillé.	1. Remplacez la carte PC. 2. Vérifiez le wattmètre (remplacez le cordon d'alimentation).
	2. Le régulateur de température du moteur est désactivé et ne peut être rétabli.	2. Remplacez le moteur.
	3. Le fil de cuivre du moteur est brûlé.	3. Remplacez le moteur.
	4. Condensateur défectueux.	4. Remplacez le condensateur.
La vitesse du moteur ralentit automatiquement	1. Condensateur déformé ou faible puissance.	1. Remplacez le condensateur.
	2. Moteur défectueux.	2. Remplacez le moteur.
Pales du ventilateur inversées	1. Court-circuit au niveau du moteur.	1. Remplacez le moteur.
	2. L'air sort par la sortie d'air au lieu d'être aspiré.	2. La sortie d'air ou le tuyau d'évacuation est obstrué et nécessite nettoyage.
Le moteur ne régule pas la vitesse	1. Condensateur défectueux.	1. Remplacez le condensateur.
	2. Le câblage électrique est coupé.	2. Réparez les fils électriques.
Le moteur fonctionne par intermittence	1. Le moteur s'arrête de tourner lorsqu'il atteint une température élevée inhabituelle, et redémarre lorsqu'il refroidit à une température de cuisson normale. Ce phénomène est dû à une température trop élevée en cours de cuisson.	1. Nous vous recommandons de modifier légèrement votre programme de cuisson.
		2. Remplacez le moteur.
Deux parties de la lumière LED ne fonctionnent pas	1. Lumière LED défailante.	1. Remplacez la lumière LED.



## Garantie et service

Ce produit a été fabriqué par Thor International, 4651 E Airport Drive, Californie 91761

Pour contacter le service à la clientèle, veuillez composer le numéro : (877) 288 - 8099

Pour obtenir la garantie et la politique de service les plus récentes, veuillez vous rendre sur notre site Web [WWW.THORKITCHEN.COM/WARRANTY-REGISTRATION](http://WWW.THORKITCHEN.COM/WARRANTY-REGISTRATION)

Pour toute demande de réparation dans le cadre de la garantie, veuillez vous rendre sur notre site Web [WWW.THORKITCHEN.COM/SERVICE](http://WWW.THORKITCHEN.COM/SERVICE)

**Remarque importante :** Vous devez fournir une preuve d'achat ou de la date d'installation pour toute demande de réparation ou d'entretien dans le cadre de la garantie

# ÍNDICE

<b>AVISO DE SEGURIDAD IMPORTANTE</b> .....	41
1.1 Lea y guarde estas instrucciones .....	41
1.2 Requisitos eléctricos .....	43
<b>CARACTERÍSTICAS DEL PRODUCTO / TABLA DE ESPECIFICACIONES</b> .....	43
2.1 Características del producto .....	43
2.2 Tabla de especificaciones .....	44
2.3 Diagrama del circuito .....	44
2.4 Especificaciones de la campana .....	45
<b>DIAGRAMA EXPUESTO</b> .....	46
<b>LISTA DE MATERIALES</b> .....	47
3.1 Partes incluidas .....	47
<b>PAUTAS DE INSTALACIÓN</b> .....	47
4.1 Ubicación .....	47
4.2 Ducto de escape .....	47
4.3 Posición .....	48
<b>INSTRUCCIONES DE USO</b> .....	49
<b>INSTALACIÓN, EXTRACCIÓN Y MANTENIMIENTO DE LOS FILTROS TIPO BAFLE</b> .....	51
<b>REEMPLAZO DE LA CINTA DE LUCES</b> .....	52
<b>MANTENIMIENTO DE LA SUPERFICIE</b> .....	55
5.1 Mantenimiento de la superficie .....	55
5.2 Limpieza y mantenimiento de la superficie .....	55
<b>PRECAUCIONES</b> .....	55
6.1 Atención especial al usar la campana de cocina .....	55
<b>SOLUCIÓN DE PROBLEMAS</b> .....	56
<b>GARANTÍA</b> .....	57



# AVISO DE SEGURIDAD IMPORTANTE

## 1.1 Lea y guarde estas instrucciones

### **⚠ ADVERTENCIA**

**Para reducir el riesgo de incendio o descarga eléctrica, no use este ventilador con dispositivos de control de estado sólido.**

### **PRECAUCIÓN**

Solo para uso de ventilación general. No lo use para extraer materiales y vapores peligrosos o explosivos.

### **⚠ ADVERTENCIA**

**Para reducir el riesgo de incendio, descarga eléctrica o lesiones personales, tenga en cuenta lo siguiente:**

- a. Solo use esta unidad de acuerdo con su uso previsto por el fabricante. Si tiene dudas, contacte al fabricante.
- b. Antes de reparar o limpiar la unidad, apague la energía desde el panel eléctrico y bloquéela desconectando la energía para así evitar un encendido accidental. Cuando no sea posible bloquear el corte de la energía, fije un dispositivo de advertencia fácil de notar, como una etiqueta, al panel eléctrico.

### **⚠ ADVERTENCIA**

**Para reducir el riesgo de incendios provocados por grasa sobre la cocina:**

- a. Jamás deje unidades de superficie sin supervisión en ajustes altos. La ebullición puede provocar humos y derrames de grasa que pueden incendiarse. Caliente los aceites lentamente en ajustes bajos o medios.
- b. Encienda siempre la campana al cocinar a fuego alto o al flambear alimentos (como crepes Suzette, cerezas jubileas o carne a la pimienta flambeada).
- c. Limpie las aspas del ventilador frecuentemente. No deje que se acumule grasa en el ventilador o filtro.
- d. Use una sartén del tamaño adecuado. Use siempre utensilios de cocina adecuados para el tamaño de la superficie.

### **⚠ ADVERTENCIA**

**Para reducir el riesgo de lesiones a personas en caso de un incendio de grasa en la cocina, siga los siguientes consejos\*:**

- a. APAGUE LAS LLAMAS con una tapa que quede bien ajustada, con una lámina para galletas o con una bandeja metálica; luego, apague el quemador. TENGA CUIDADO Y EVITE LAS QUEMADURAS. Si las llamas no se extinguen inmediatamente, EVACÚE Y LLAME AL DEPARTAMENTO DE BOMBEROS.
- b. JAMÁS TOME UN SARTÉN EN LLAMAS, ya que podría quemarse.
- c. NO USE AGUA, incluidos paños de cocina o toallas mojados, ya que podría ocurrir una violenta explosión de vapor.
- d. Use un extintor SOLO si:
  1. Sabe que el extintor es Clase ABC, y ya sabe cómo usarlo.
  2. El incendio es pequeño y contenido dentro del área donde comenzó.
  3. Ya llamó al departamento de bomberos.
  4. Puede combatir el fuego con siempre que tenga una salida a su espalda.

\* Según los "Kitchen Firesafety Tips" (Consejos de seguridad contra incendios en cocinas) de la NFPA.

# AVISO DE SEGURIDAD IMPORTANTE

## **⚠ ADVERTENCIA**

**Para reducir el riesgo de incendio, descarga eléctrica o lesiones personales, tenga en cuenta lo siguiente:**

- a. Solo el personal calificado debe realizar la instalación y el cableado eléctrico, de conformidad con todos los códigos y estándares correspondientes, incluida la construcción con clasificación contra el fuego.
- b. Para evitar una contracorriente, se necesita suficiente aire para que la combustión ocurra adecuadamente y que los gases puedan cruzar por el cañón (chimenea) del equipo quemador de combustible. Siga las normas de seguridad recomendadas por el fabricante del equipo de calefacción, tales como las publicadas por la National Fire Protection Association (NFPA - Asociación Nacional de Protección contra Incendios), la American Society for Heating, Refrigeration and Air Conditioning Engineers (ASHRAE - Sociedad Estadounidense de Ingenieros de calefacción refrigeración y aire acondicionado) y las autoridades locales.
- c. Al cortar o perforar paredes o techos, no dañe los cableados eléctricos u otros conductos de servicio ocultos.
- d. Los ventiladores conectados a ductos siempre deben desembocar hacia el exterior.
- e. JAMÁS coloque un interruptor donde pueda alcanzarse desde una bañera o ducha.
- f. Asegúrese de que la energía esté desconectada antes de instalar, cablear o realizar el mantenimiento del producto.

## **⚠ ADVERTENCIA**

Para reducir el riesgo de incendio, use únicamente ductos metálicos.

## **PRECAUCIÓN**

Para reducir el riesgo de incendio y extraer adecuadamente el aire hacia el exterior, no extraiga el aire de escape hacia zonas entre muros, techos, áticos, entrepisos o cocheras.

## **FUNCIONAMIENTO**

Mantenga siempre las parrillas y filtros de seguridad instalados. Sin estos componentes, los sopladores operativos podrían atrapar cabellos, dedos y prendas sueltas. El fabricante renuncia a toda responsabilidad en caso de que no se sigan estas instrucciones de instalación, mantenimiento y uso adecuado del producto. El fabricante, también, renuncia a toda responsabilidad ante lesiones provocadas por negligencia; además, la garantía de la unidad caduca automáticamente en caso de un mantenimiento inadecuado.

## **ADVERTENCIA SOBRE LA PROPOSICIÓN 65 DE CALIFORNIA**

### **⚠ ADVERTENCIA**

**Este electrodoméstico contiene químicos que, de acuerdo al Estado de California, pueden causar cáncer y/o daño reproductivo y defectos de nacimiento u otros daños reproductivos. Por más información, consulte [www.P65Warnings.ca.gov](http://www.P65Warnings.ca.gov).**

# AVISO DE SEGURIDAD IMPORTANTE

## 1.2 Requisitos eléctricos

**Importante:** Tenga en cuenta todos los códigos y ordenanzas vigentes.

Es responsabilidad del cliente:

- Contactar a un instalador eléctrico calificado.
- Asegurarse de que la instalación eléctrica sea la adecuada y que cumpla con el Código Eléctrico Nacional, normas ANSI/NFPA 70 última edición\* o CSA C22.1-94, Código Eléctrico de Canadá, Parte 1 y C22.2 No.0-M91 - última edición\*\* y todos los demás códigos y ordenanzas locales.

\* National Fire Protection Association (Asociación Nacional de Protección contra Incendios) Batterymarch Park, Quincy, Massachusetts 02269

\*\* CSA International 8501 East Pleasant Valley Road, Cleveland, Ohio 44131-5575

Si los códigos lo permiten, y se utiliza un cable a tierra por separado, se recomienda que un electricista calificado determine que la conexión a tierra es adecuada.

No conecte a tierra contra una tubería de gas.

Consulte a un electricista calificado si no tiene claro si la campana de cocina está bien conectada a tierra o no.

No coloque un fusible en el circuito neutro o de tierra.

Este electrodoméstico requiere un suministro eléctrico de 120 V, 60 Hz, en un circuito individual correctamente conectado a tierra y protegido por un disyuntor o fusible de retardo de tiempo de 15 o 20 amperios. El cableado debe tener 2 conductores y conexión a tierra. Consulte también el diagrama eléctrico del producto.

Los códigos locales también podrían requerir un conector de bloqueo de cable (no incluido).

Consulte los requisitos locales y, de ser necesario, compre e instale el conector adecuado.

# CARACTERÍSTICAS DEL PRODUCTO / TABLA DE ESPECIFICACIONES

## 2.1 Características del producto

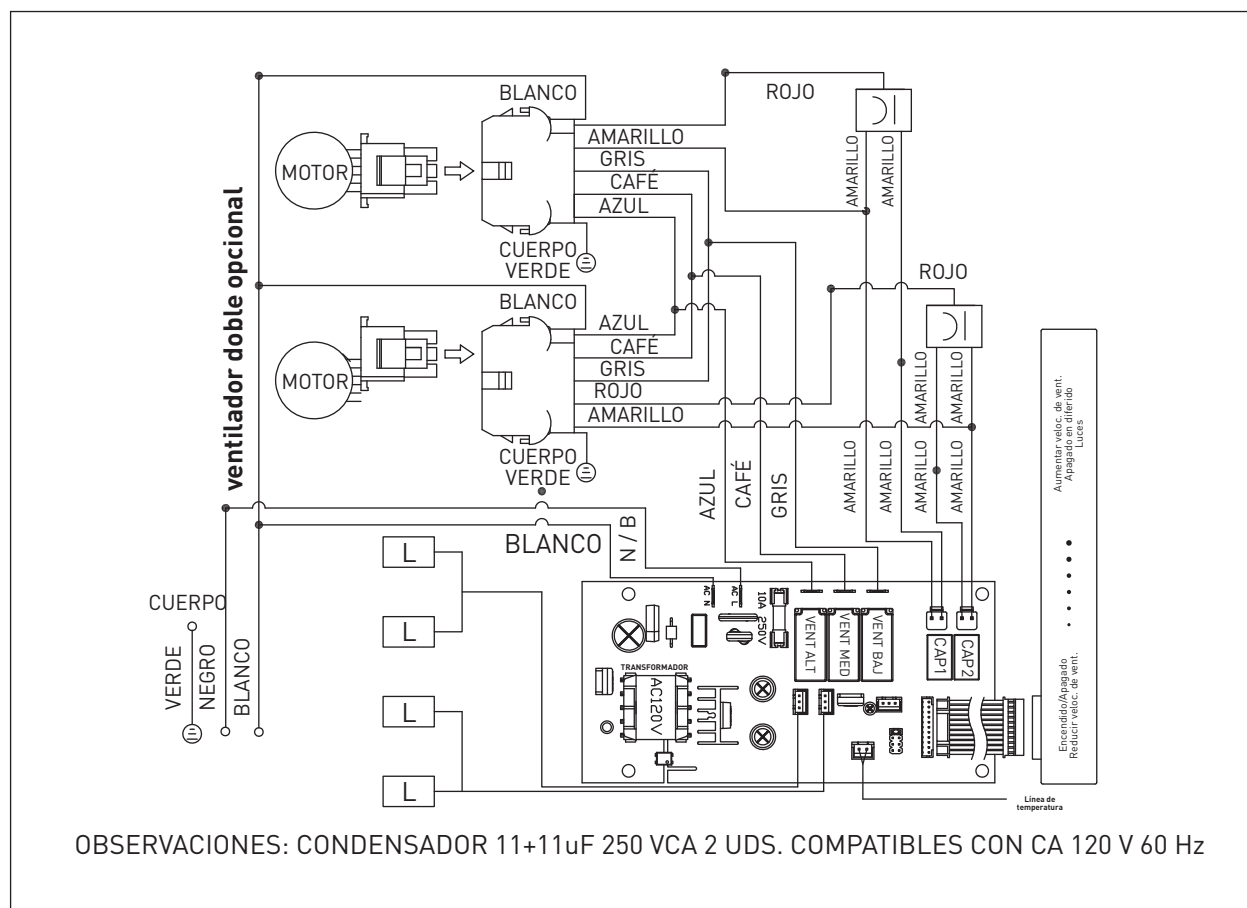
1. 6 opciones de velocidad.
2. Iluminación de dos niveles: Luminoso, tenue y apagado.
3. Función de control por gestos: Encender y apagar, ajustar la velocidad del ventilador.
4. Sensor de calor: Detección automática de temperatura y encendido y apagado de la campana.

# CARACTERÍSTICAS DEL PRODUCTO / TABLA DE ESPECIFICACIONES

## 2.2 Tabla de especificaciones

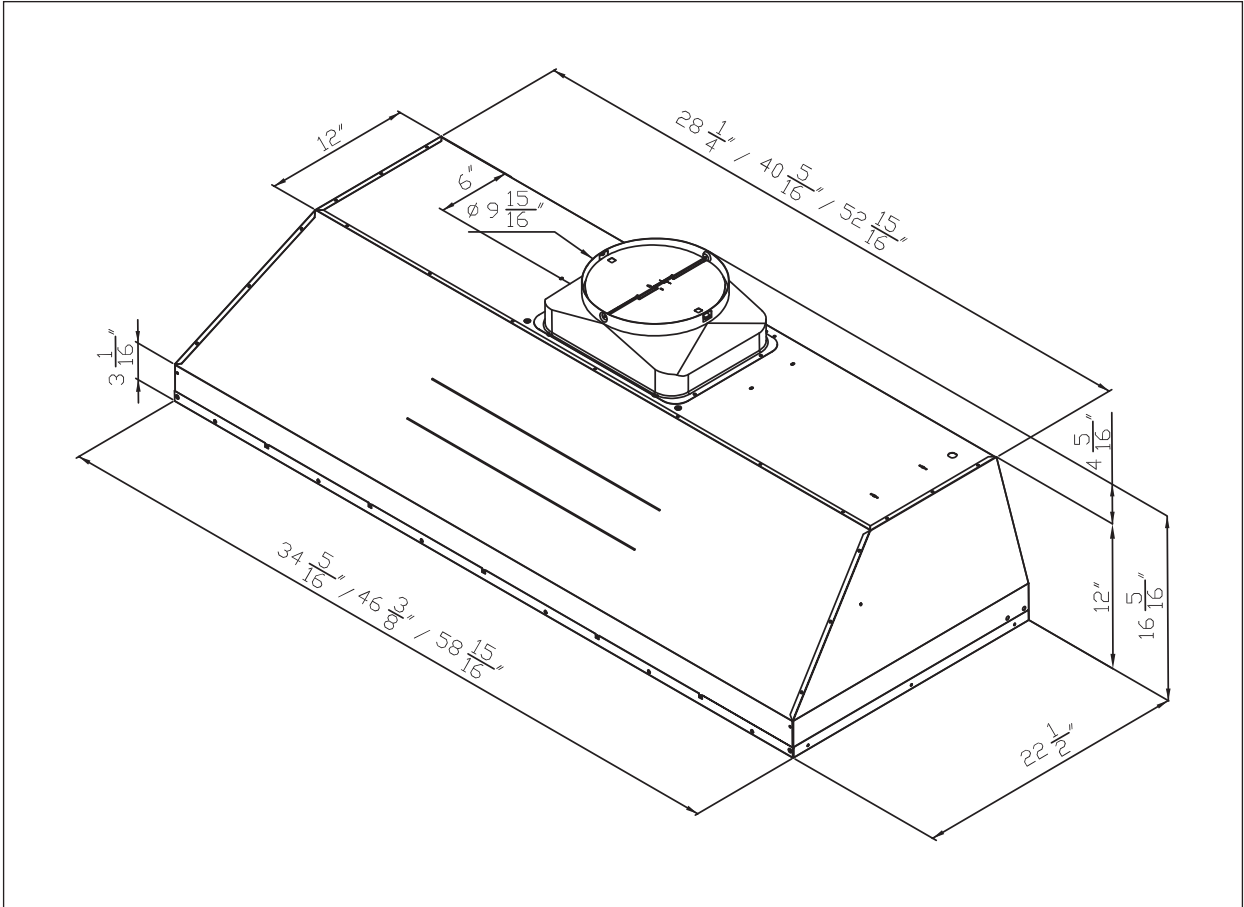
Modelos	XLH36 / XLH48 / XLH60
Peso neto (libras)	54.5 / 63.6 / 72.1
Medidas (pulgadas)	(An)34 y 5/16 × (Pr)22 y 1/2 × (Al)12 (An)46 y 3/8 × (Pr)22 y 1/2 × (Al)12 (An)58 y 15/16 × (Pr)22 y 1/2 × (Al)12
Tensión máxima	120 V – 60 Hz
Diámetro de la tubería de escape	Redondo de 10 pulgadas
Luz	4 LED de 6 W
Certificación	

## 2.3 Diagrama del circuito

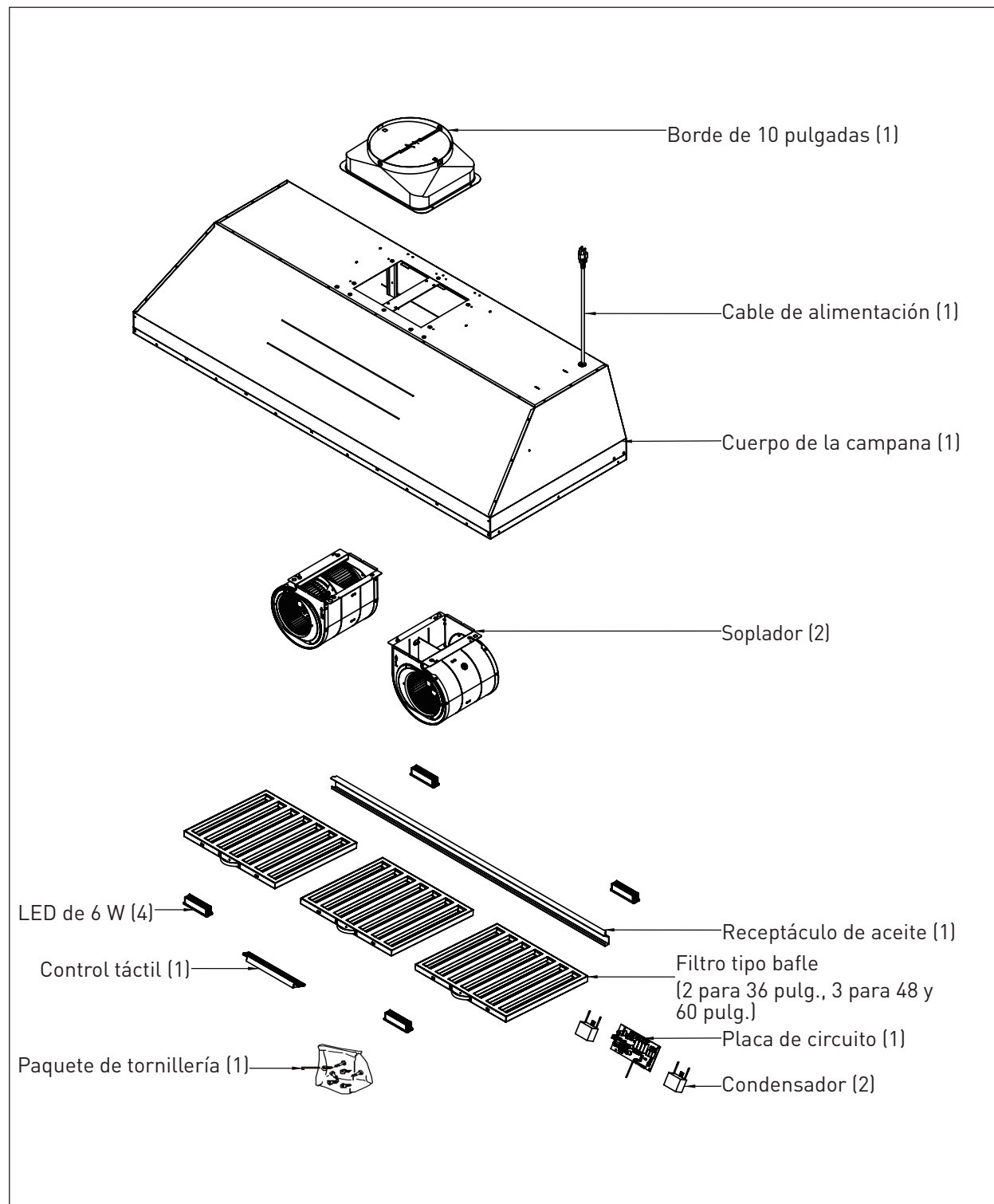


# CARACTERÍSTICAS DEL PRODUCTO / TABLA DE ESPECIFICACIONES

## 2.4 Especificaciones de la campana

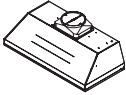







# DIAGRAMA EXPUESTO



# LISTA DE MATERIALES

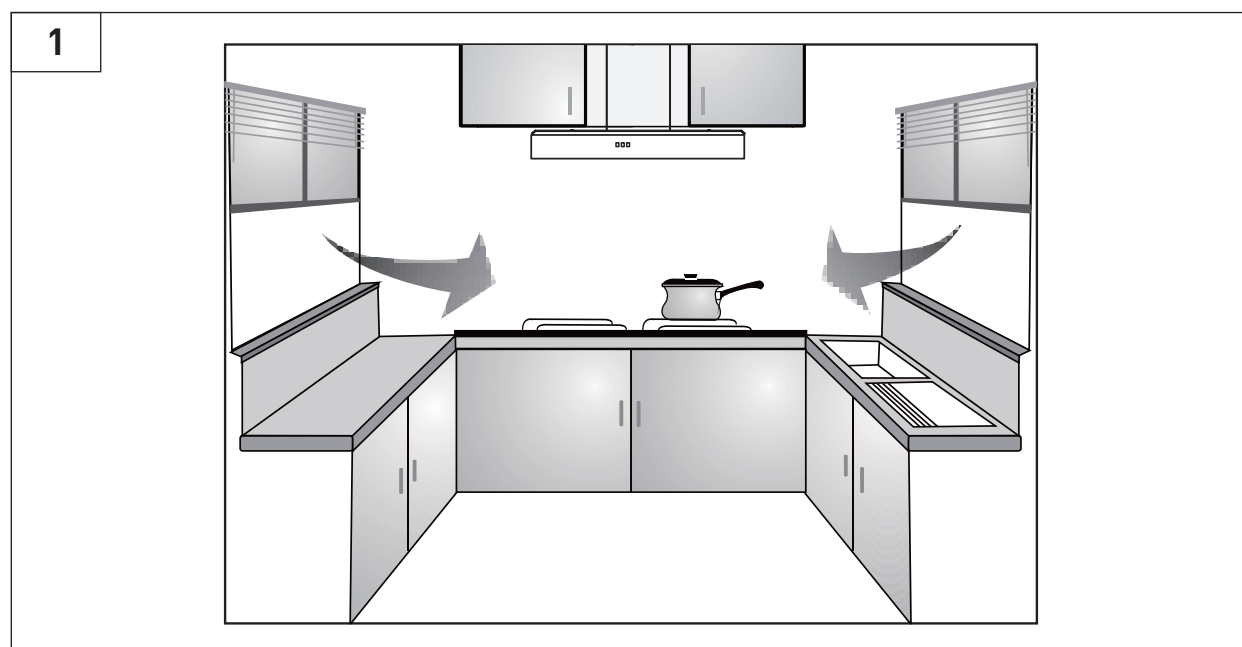
## 3.1 Partes incluidas

Configuración estándar			Contenido del paquete de tornillería		
Campana		1	Tornillo de cabeza plana #8 de 1/2 pulgadas		12
Manual del usuario		1	Tornillo auto perforante de 6 mm M4		4
Borde redondo de 10 pulgadas		1			
Paquete de tornillería		1			

# PAUTAS DE INSTALACIÓN

## 4.1 Ubicación

- La turbulencia del aire provocada por una ventana/puerta podría reducir la efectividad de la campana. Se recomienda cerrar ventanas y puertas antes de usar la campana. (FIG. 1)
- El humo debe elevarse hasta 10 pulgadas desde la superficie de cocina para así entrar en la zona de alcance de succión efectiva de la campana.



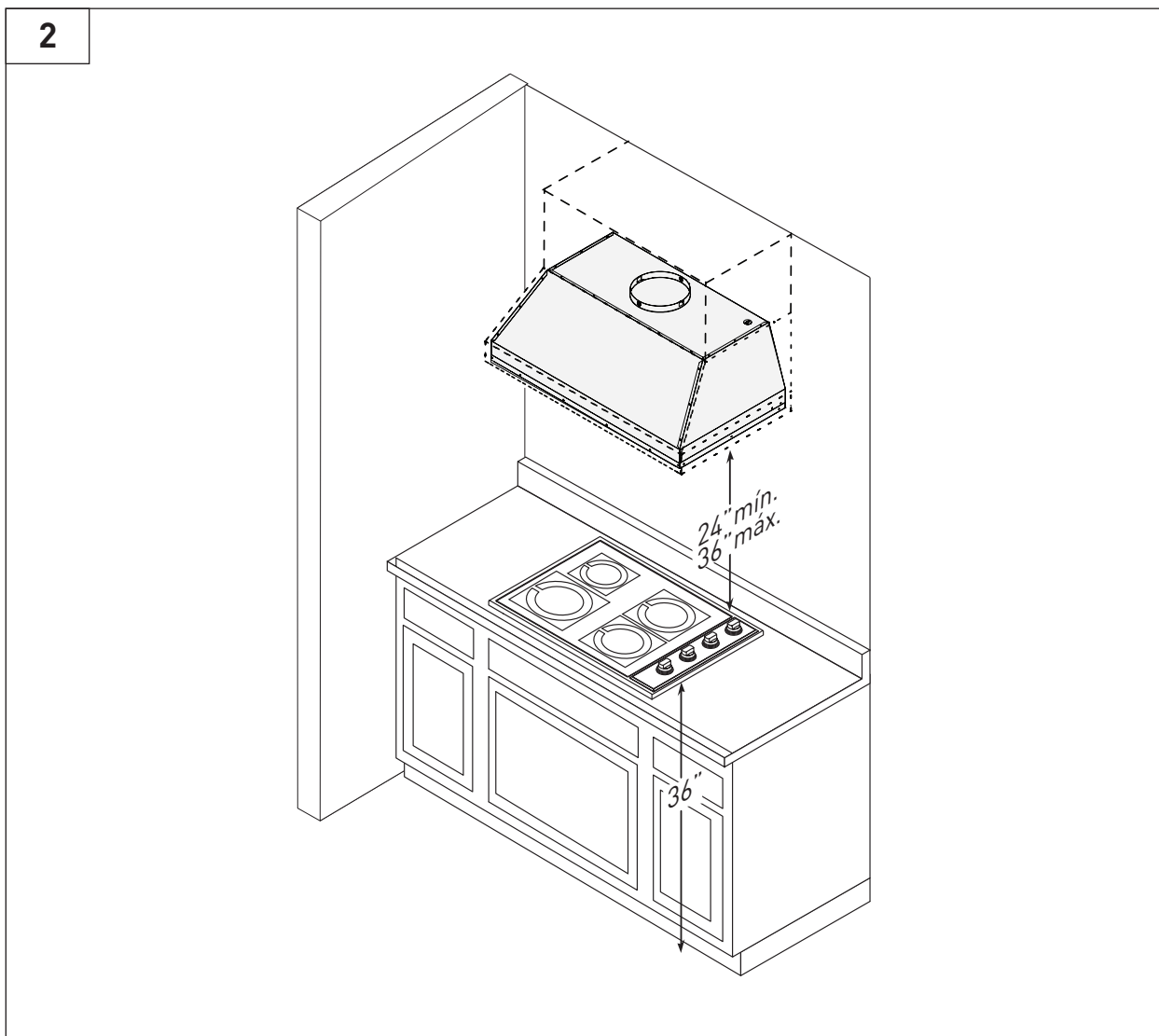
## 4.2 Ducto de escape

- Se recomienda usar un ducto de escape de 10 pulgadas de diámetro para maximizar la eficiencia de la succión.
- Antes de instalar la campana, aplique pegamento de secado rápido al borde y fíjelo de forma segura sobre la tapa de ventilación de la campana de cocina. Instale la campana de cocina y el ducto de escape al borde plástico y séllelo usando pegamento de secado rápido.

# PAUTAS DE INSTALACIÓN

## 4.3 Posición

- La altura de instalación se mide de forma vertical desde el centro del filtro de aluminio de la campana hasta la parte superior de la superficie de cocina.
- Para cocinas a gas, la altura mínima es 24 pulgadas y la altura de instalación máxima es 36 pulgadas. (FIG. 2)
- Evite que el producto quede inclinado hacia la izquierda/derecha o hacia adelante.





# INSTRUCCIONES DE USO

Encendido/  
Apagado    Reducir veloc.  
de vent.    •   •   •   •   •   •   Aumentar veloc.  
de vent.    Apagado en  
diferido    Luces

## **⚠ ADVERTENCIA**

Cuando el sensor detecte humo denso o sea obstruido por un objeto, existe la posibilidad de activar que la función gestos encienda la campana automáticamente.

### **Función de gestos**

#### **Mientras el ventilador está apagado**

- Mueva su mano delante del panel de control de izquierda a derecha para que la campana se encienda en la velocidad 1.
- Al apagar el ventilador, no se realizará una acción al mover la mano hacia la izquierda.
- La campana tiene una función de memoria para recordar la última configuración de ventilador y luces que se utilizó.

#### **Mientras el ventilador está encendido**

- Mueva su mano de izquierda a derecha frente al panel de control para aumentar la velocidad del ventilador y de derecha a izquierda para reducirla.
- Cuando el ventilador esté en la velocidad 1, mover su mano de derecha a izquierda apagará toda la campana (el ventilador y las luces).

## **AVISO**

- La distancia entre la mano y el sensor no debe ser superior a 4 pulgadas.
- Los sensores se encuentran a la derecha y a la izquierda del panel de control.

### **Sensor de calor**

Esta campana está equipada con un Sensor de calor.

- Activación automática del ventilador: Cuando la campana está apagada, el ventilador se encenderá automáticamente en velocidad 3 si el sensor de calor detecta una temperatura superior a 55 °C (131 °F) sobre la superficie de cocción. El ventilador se apagará automáticamente cuando la temperatura caiga a 40 °C (104 °F).
- Desactivación temporal del sensor: Si el sensor de calor detecta una temperatura superior a 55 °C (131 °F) mientras la campana está apagada y usted ajusta la velocidad del ventilador o utiliza la función de apagado en diferido, el sensor se desactivará temporalmente durante 20 minutos. Después de este tiempo, el sensor volverá a activarse y continuará supervisando la temperatura.

**AVISO** El sensor de calor estará desactivado cuando presione los botones de aumentar/reducir velocidad de ventilador o el botón de apagado en diferido.

### **1. Encendido/Apagado**

- Presione para encender y apagar la campana completa (ventilador y luces).
- La campana recordará el último nivel de velocidad e iluminación en el que se usó al momento de apagarse.

# INSTRUCCIONES DE USO

## **Función de bloqueo del panel de control**

- Active la función de bloqueo del panel de control  
Cuando la campana esté apagada, mantenga presionado el botón de Encendido/Apagado durante 3 segundos para activar la función de bloqueo del panel de control. Todos los indicadores de velocidad del ventilador se encenderán.
- Desactive la función de bloqueo del panel de control  
Cuando la función de bloqueo del panel de control esté activa, mantenga presionado el botón de Encendido/Apagado durante 3 segundos para desactivar la función de bloqueo del panel de control. Todos los indicadores de velocidad del ventilador se apagarán.

**AVISO** Cuando se active la función de bloqueo del panel de control, se desactivarán todos los botones del panel de control, incluyendo las funciones de gestos. Esta función está diseñada para usarse evitar la activación accidental de la campana durante la limpieza de superficies.

## **2. Botón de selección de velocidad**

### **Reducir la velocidad del ventilador**

- Presione para reducir la velocidad del ventilador de 6 a 5, 4, 3, 2, 1 y apagado.

### **Aumentar la velocidad del ventilador**

- Presione para aumentar la velocidad del ventilador de 1 a 2, 3, 4, 5, 6.

## **3. Apagado en diferido**

- Cuando el ventilador esté apagado, mantenga presionado el botón de apagado en diferido durante 2 segundos para activar la función de apagado en diferido. Todos los indicadores LED de velocidad del ventilador parpadearán lentamente.
- En el estado de configuración, presione reducir la velocidad del ventilador o Aumentar la velocidad del ventilador para configurar el tiempo de retraso entre 2 y 12 minutos. El valor predeterminado es 2 minutos.
- La cantidad de minutos seleccionada se corresponderá con el parpadeo del indicador LED de velocidad del ventilador. Por ejemplo, si selecciona 2 minutos, la luz de velocidad de ventilador 1 parpadeará lentamente.
- El temporizador de apagado en diferido se confirmará automáticamente si no oprime ningún botón dentro de 5 segundos.
- Cuando esté funcionando la función de apagado en diferido, el ventilador cambiará a velocidad 1 y comenzará la cuenta regresiva de apagado en diferido. Puede usar la función de gestos o presionar los botones reducir la velocidad del ventilador o aumentar la velocidad del ventilador para modificar la velocidad del ventilador.
- Cuando finalice el temporizador, el ventilador y las luces se apagarán.

**AVISO** Cuando esté funcionando la función de apagado en diferido, presione el botón apagado en diferido para desactivar la función de apagado en diferido. Si presiona el botón de Encendido/Apagado se apagará toda la campana y la función de apagado en diferido.

## **4. Luces**

- Presione para cambiar el nivel de iluminación entre bajo, alto y apagado.

## INSTRUCCIONES DE USO

### 5. Recordatorio de limpieza del filtro

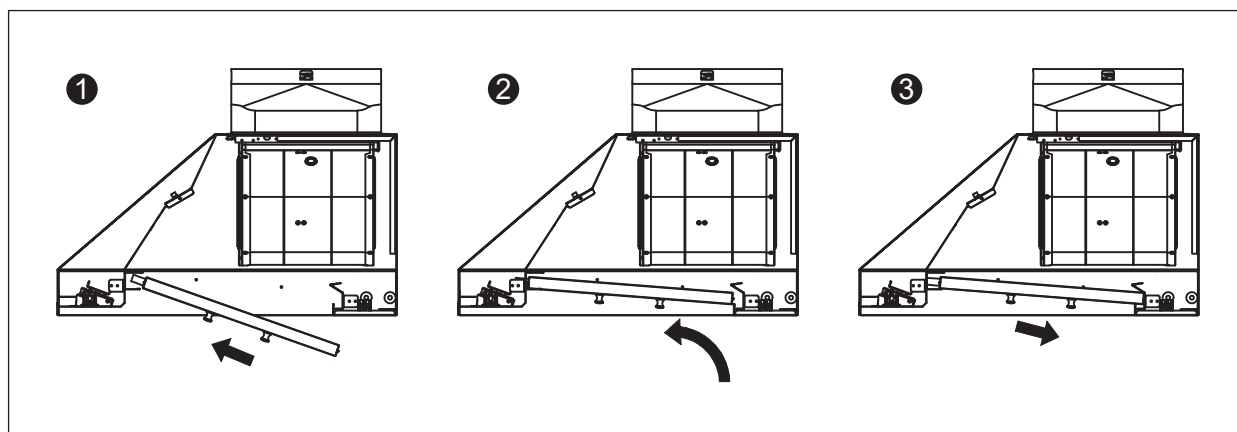
- Tras 30 horas de uso del ventilador, todos los indicadores LED de velocidad del ventilador comenzarán a parpadear lentamente para indicar que es hora de limpiar los filtros.
- Mantenga presionado el botón de Luces durante 3 segundos para eliminar este símbolo si ya limpió el filtro.

**AVISO** El indicador LED de velocidad del ventilador seguirá parpadeando con el ventilador apagado hasta que se presione el botón Luces durante 3 segundos para eliminar el recordatorio.

## INSTALACIÓN, EXTRACCIÓN Y MANTENIMIENTO DE LOS FILTROS TIPO BAFLE

### Instalación de los filtros tipo bafle

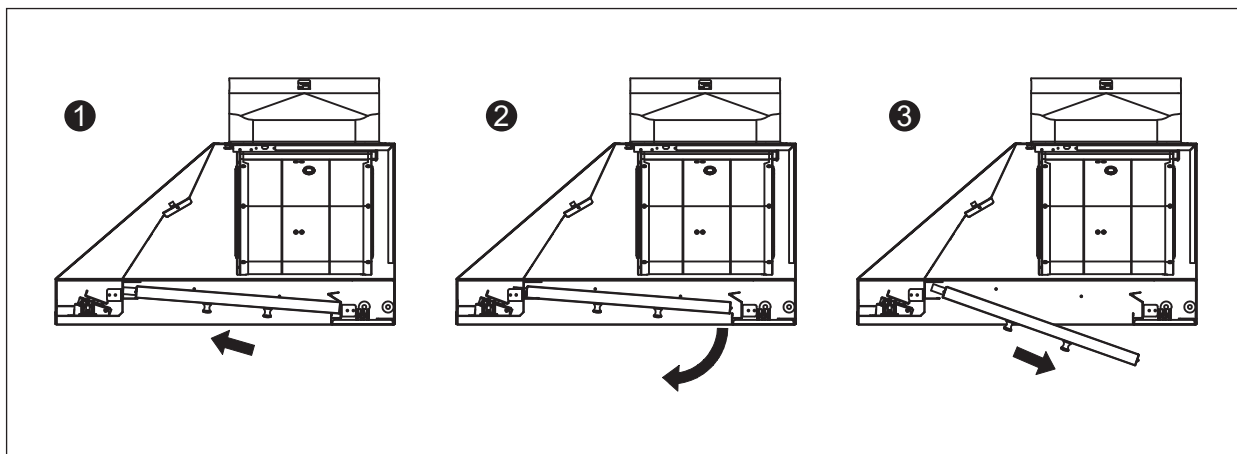
1. Coloque el filtro dentro de la ranura superior del alineador tal como se indica y use los mangos para empujarlo hacia la parte delantera del alineador.
2. Gire la parte trasera del filtro hacia arriba de forma que quede inclinada dentro del alineador.
3. Empuje el filtro hacia dentro de la ranura de la parte trasera del alineador para fijarlo en su posición.



# INSTALACIÓN, EXTRACCIÓN Y MANTENIMIENTO DE LOS FILTROS TIPO BAFLE

## Extracción de los filtros tipo baffle

1. Empuje el filtro hacia la parte delantera del alineador.
2. Gire la parte trasera del filtro hacia abajo.
3. Tire del filtro para extraerlo de la ranura de la parte delantera del alineador.



## Limpieza de los filtros tipo baffle

Los filtros tienen como fin atrapar residuos y grasa generados durante la cocción. Si bien los filtros nunca deben sustituirse, deben limpiarse cada 30 días o más a menudo, dependiendo de sus hábitos de cocción.

Los filtros pueden colocarse en el lavaplatos con bajo calor o pueden remojarse en agua jabonosa caliente. Seque los filtros y vuelva a instalarlos antes de usar la campana.

# REEMPLAZO DE LA CINTA DE LUCES

## Luz LED:

Para reemplazar o realizar mantenimiento a la cinta de luces LED, contacte al servicio de atención al cliente o al departamento de repuestos de Thor Kitchen.

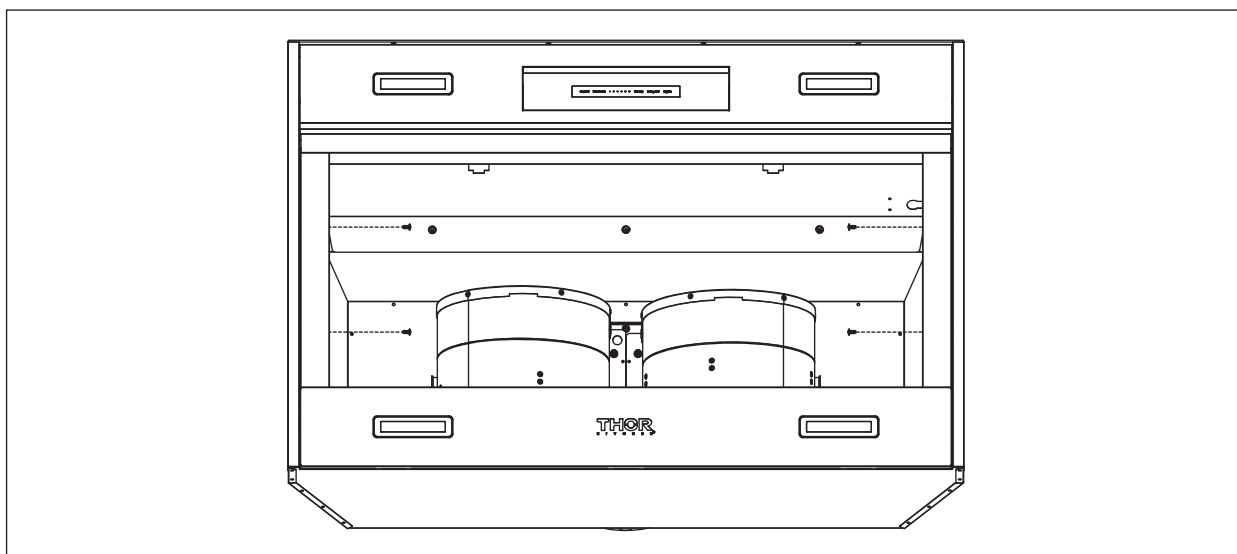
### **⚠ ADVERTENCIA**

Una instalación o mantenimiento incorrectos podrían causar lesiones o daños. Consulte las instrucciones detalladas de este manual. Cualquier otra tarea de mantenimiento deberá ser realizada por un proveedor de servicios autorizado.

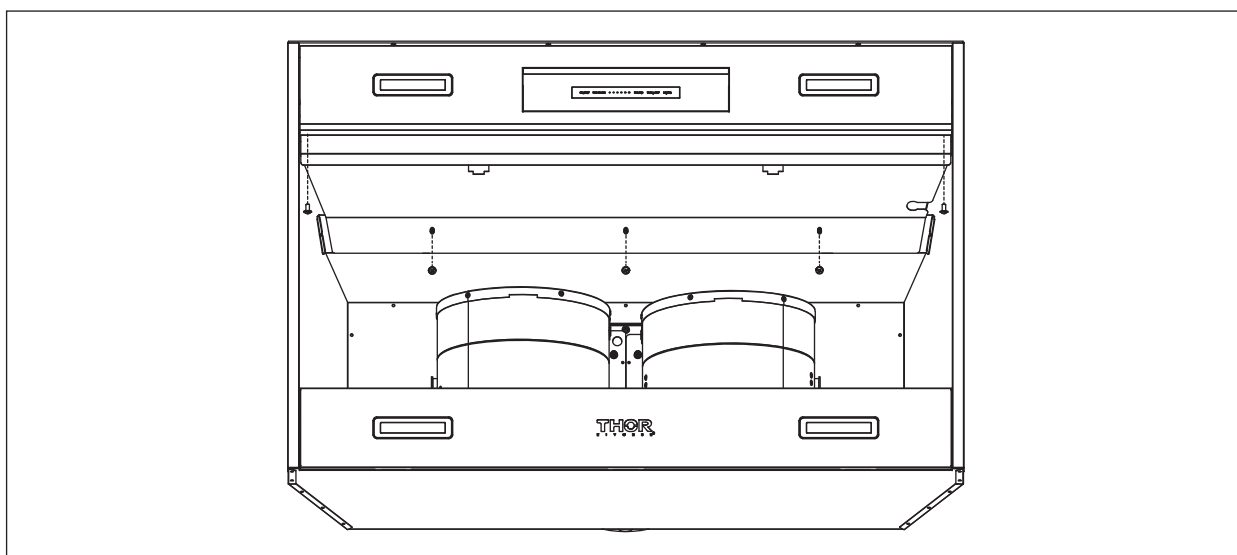
El incumplimiento de estas instrucciones podría resultar en lesiones graves, incendio o descarga eléctrica.

1. Después de apagar la alimentación, retire los filtros tipo baffle.
2. Retire dos tornillos de ambos lados y retire el panel lateral. (para 36 y 60 pulgadas)

## REEMPLAZO DE LA CINTA DE LUCES

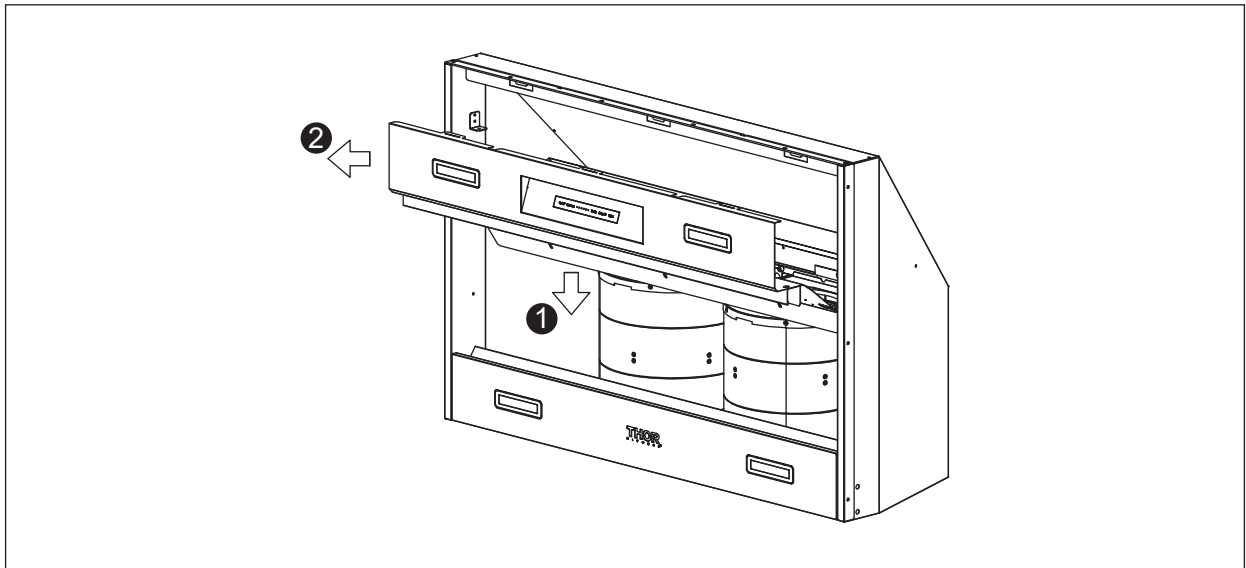


3. Retire el panel de luces quitando cinco tornillos.

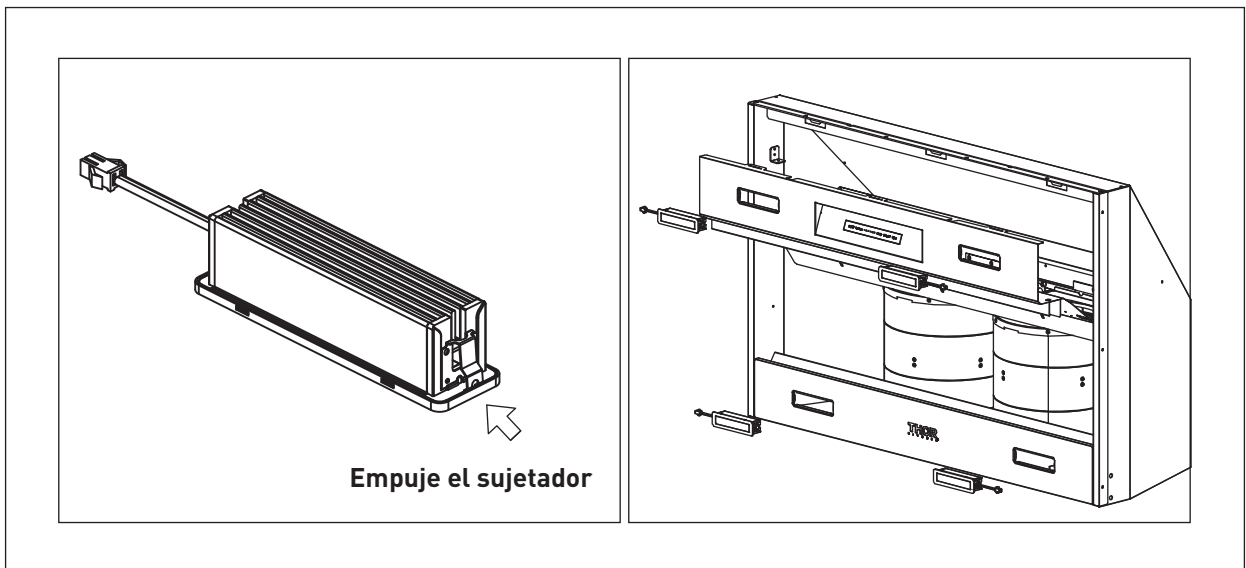


## REEMPLAZO DE LA CINTA DE LUCES

4. Presione el panel de luces y empújelo hacia delante para retirar el panel de luces.



5. Desconecte el conector rápido de la luz LED.
6. Empuje los sujetadores de ambos lados de las cintas de luz LED simultáneamente y saque la cinta de luz.



# MANTENIMIENTO DE LA SUPERFICIE

## 5.1 Mantenimiento de la superficie

1. Limpie la superficie de la campana periódicamente con agua jabonosa y un paño de algodón para así evitar que se acumule grasa.
2. No use limpiadores agresivos ni materiales gruesos abrasivos para limpiar la superficie, ya que esto la dañará.
3. Para pulir la superficie después de limpiarla, se recomienda usar un pulidor no invasivo para acero inoxidable.
4. Use un material suave para pulir, ya que así su campana quedará más brillante.
5. No use soluciones de limpieza que tengan blanqueador como ingrediente.

## 5.2 Limpieza y mantenimiento de la superficie

1. Antes de limpiar, desconecte siempre del suministro de alimentación.
2. Limpie tanto el interior como el exterior de la campana para que dure más. No use limpiadores abrasivos.
3. Para evitar altas temperaturas en la cocina, siempre encienda la campana antes de encender la cocina.

# PRECAUCIONES

## 6.1 Atención especial al usar la campana de cocina

- Para garantizar un máximo efecto de ventilación, la campana de cocina se debe encender siempre antes de cocinar.
- Si hay daños en el cable de alimentación, la extracción y cambio del cable de alimentación deberá realizarlo el fabricante, un instalador o un electricista calificado.
- Debe haber una buena ventilación en la cocina al usar simultáneamente la campana de cocina junto con una cocina a gas u otros electrodomésticos a combustión.
- Si la limpieza de la campana de cocina se realiza sin seguir las instrucciones del manual, podría correr el riesgo de provocar un incendio.
- No encienda un fuego directamente bajo la campana de cocina.
- El gas de escape de la campana de cocina no se puede introducir directamente al canal de escape de la cocina a gas u otros electrodomésticos.
- La distancia mínima necesaria entre la parte superior de la cocina y el fondo de la campana de cocina es 24 pulgadas. Si el manual de instalación de la cocina indica que se debe dejar más distancia, respete dicha indicación. Ajuste la campana de cocina a la altura adecuada a fin de extraer todas las emisiones.
- Para evitar peligros, las piezas de la campana de cocina se deben desarmar usando herramientas, no las manos desnudas.

## SOLUCIÓN DE PROBLEMAS

Problema	Posible causa	Solución
El motor deja de funcionar	1. No hay energía (cable quemado) o el fusible está quemado.	1. Reemplace la placa de circuitos. 2. Compruebe que ingrese energía (reemplace el cable de alimentación).
	2. El regulador de temperatura del motor no funciona y no se puede recuperar.	2. Reemplace el motor.
	3. El cable de cobre del motor está quemado.	3. Reemplace el motor.
	4. El condensador está defectuoso.	4. Reemplace el condensador.
La velocidad del motor se reduce automáticamente	1. Hay poca potencia o el condensador está dañado.	1. Reemplace el condensador.
	2. Motor defectuoso.	2. Reemplace el motor.
Las aspas del ventilador están invertidas	1. Cortocircuito en el motor.	1. Reemplace el motor.
	2. El aire sale de la toma de aire en lugar de ser succionado hacia ella.	2. La salida o el tubo de escape están bloqueados y deben limpiarse.
El motor no regula la velocidad	1. El condensador está defectuoso.	1. Reemplace el condensador.
	2. El cableado eléctrico está desconectado.	2. Arregle los cables eléctricos.
El motor se enciende y se apaga	1. El motor deja de funcionar cuando alcanza una temperatura inusualmente alta y vuelve a encenderse cuando se enfría hasta llegar a la temperatura normal para cocinar. Esto ocurre cuando la temperatura se eleva demasiado al cocinar.	1. Se recomienda cambiar levemente su rutina de cocina.
		2. Reemplace el motor.
Dos secciones de la luz LED no funcionan	1. La luz LED se averió.	1. Reemplace la luz LED.





## Garantía y servicio

Este producto fue fabricado por Thor International, 4651 E Airport Drive, California 91761

Para contactar al servicio de atención al cliente, llame al (877) 288 - 8099

Para ver la política de servicio y garantía más actualizada, visite nuestro sitio web  
[WWW.THORKITCHEN.COM/WARRANTY-REGISTRATION](http://WWW.THORKITCHEN.COM/WARRANTY-REGISTRATION)

Para solicitudes de servicio dentro del periodo de garantía, visite nuestro sitio web  
[WWW.THORKITCHEN.COM/SERVICE](http://WWW.THORKITCHEN.COM/SERVICE)

**Tenga en cuenta que:** Deberá proporcionar una prueba de compra o fecha de instalación para toda solicitud de servicio dentro del periodo de garantía

# WELCOME TO THE CLUB

You chose THOR Kitchen to enhance your culinary journey and we're stoked to have you in the club. Think of it as a secret society of really savvy people, such as yourself, choosing professional power and performance at an affordable price.



Register your product by following the steps below.

## WARRANTY REGISTRATION



01 Scan the QR code or visit [thorkitchen.com/warranty](https://thorkitchen.com/warranty)



02 Input your product info and select register



03 You're done. Let's get cookin'.

### WARRANTY



### NEED PARTS?

