



XOA
UNDER CABINET HOOD

HOW BEAUTIFUL KITCHENS BREATHE



XOA

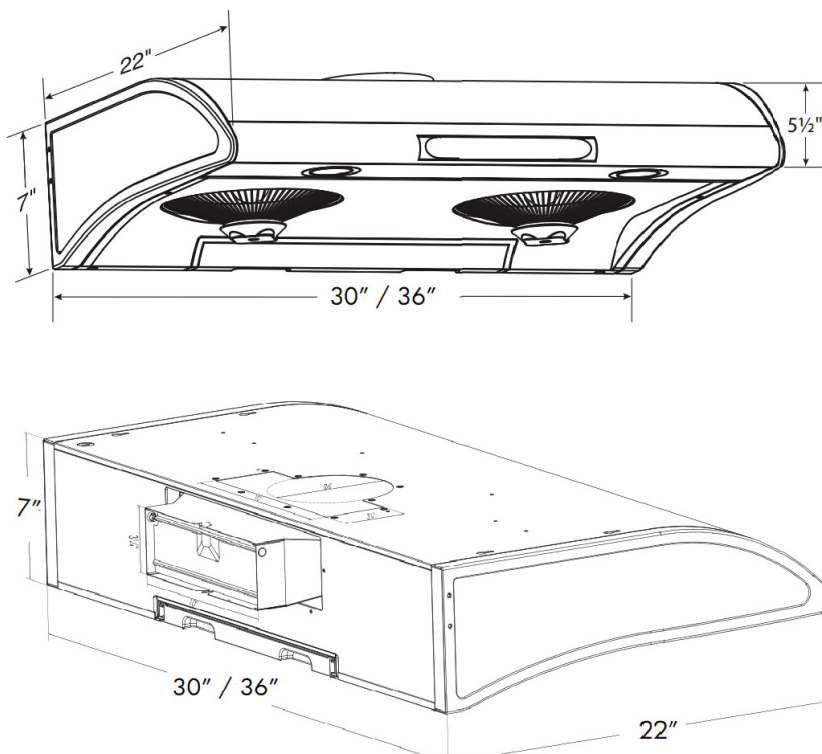
- Twin High-Velocity Fans
- Advanced new "FilterLess" design
- 6 speed electronic illuminated controls
- Top or Rear Venting

High velocity six speed fans eliminate the need for filters and the maintenance that goes with them - so clean up is a snap. Like all XO products, it comes with factory direct to dealer pricing making the XOA an unparalleled value.

At XO, we believe that a good design is something everyone can afford

WORLD CLASS SERVICE | COMPREHENSIVE WARRANTIES
OUR LASTING COMMITMENT TO YOU





FEATURES

FINISH

Stainless Steel
Also available in: White or Black

FEATURES

- Electronic 6 Speed Control
- High Efficiency Halogen Lights (x2)
- 2 High Velocity Fans optimally removes Smoke, Grease and Odors
- Advanced new "FilterLess" design
- Top or Rear ducting available
- Adjustable Delay Shutoff Timer

PERFORMANCE

SPEED	1	2	3	4	5	6
CFM	130	210	300	390	420	550
SONES	0.5	1.4	2.8	3.7	4.8	5.5

SPECIFICATIONS

ELECTRICAL 115VAC 60HZ 2.5 AMP

DIMENSIONS H 7"
W 30" - 36"
D 22"

MOUNTING HEIGHT
ABOVE COOKING 27" - 32"

OPTIONS
6" Make-Up Air Kit **XOMA06**

DUCTING OPTIONS
Top - 6" round or 3 1/4" x 10"
Rear - 3 1/4" x 10"
Duct transitions included to simplify installation

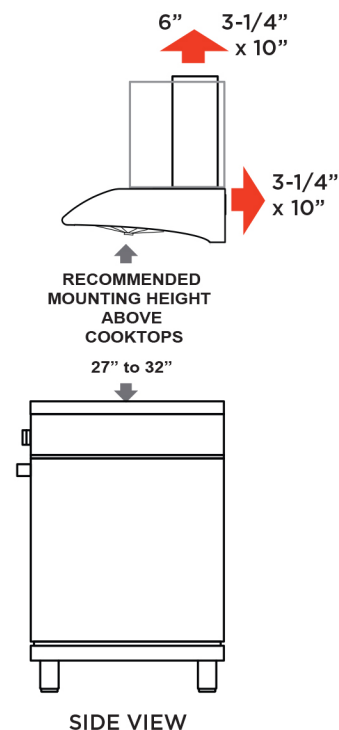
RECOMMENDED MOUNTING HEIGHT

All range hoods have a recommended range of installation height over the cooking surface. However cooking styles, types of cooking equipment and installation limitation can vary greatly. For installations outside the recommended range - consult XO.

THIS MODEL HAS A 6" DIAMETER EXHAUST DUCT WHICH CAN BE CONVERTED TO 3-1/4" x 10" RECTANGULAR DUCT. THIS UNIT MAY ALSO BE VENTED FROM THE TOP OR REAR.

IMPORTANT NOTE:

This unit must be vented outside.
No recirculation options are available for this model



MAKE-UP AIR

Many states have adopted regulations regarding the re-introduction of make-up air for homes with ventilation systems which can exhaust more than a specified volume of air, typically 400 CFM. Your cooking equipment and use determine how much ventilation you need. If your local building codes require a make-up air solution based on that need, XO has the answer.

XOMA MAKE-UP AIR KITS

Make-Up Air Kits consist of two parts.

1. A sensor collar which is mounted in the exhaust duct of the hood. This contains a feather switch that is activated when air flow is detected in the duct.



2. A motorized air inlet damper which is usually mounted to the home's HVAC system.

When it receives a signal from the sensor collar, the damper automatically opens to admit fresh air which is distributed via the HVAC system.

When the blower shuts off, the feather switch returns to the off position and the motorized damper is deactivated. The air inlet damper is automatically closed by a return spring.