



XOCYL\_C  
DESIGNER HOOD

## HOW BEAUTIFUL KITCHENS BREATHE



XOCYL\_C

- Electronic 3 Speed Control
- Whisper Quiet Powerful Blowers
- Use Alone or in Multiples
- 5 Minute delay function

DESIGNED AND CRAFTED IN ITALY

16" DESIGNER HOOD  
Used alone - or in multiples

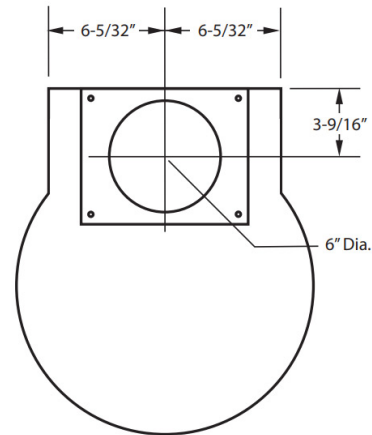
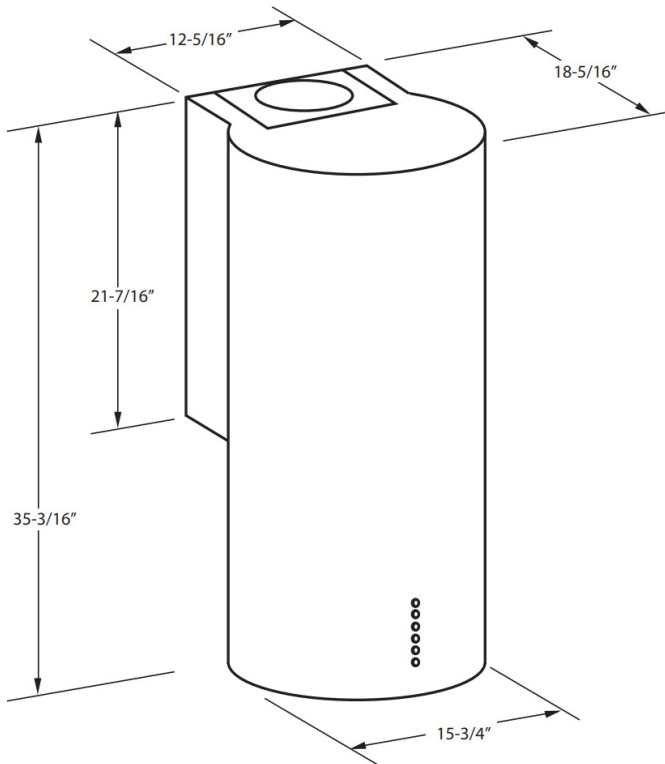
The contemporary XOCYL, designed and crafted in Italy, performs as beautifully as it looks. With quiet, efficient peripheral aspiration the blower whisks away cooking exhaust, while twin spot lights brilliantly illuminate the work area below.

At XO, we believe that a good design is something everyone can afford

WORLD CLASS SERVICE | COMPREHENSIVE WARRANTIES

OUR LASTING COMMITMENT TO YOU





## FEATURES

FINISH

XOCYL16SC - Stainless Steel  
XOCYL16BC - Black

FEATURES

- Electronic 3 Speed Control + Power Boost
- CCC Code Compliance Control - 395 or 600 CFM
- Perimeter Aspiration / Quieter / More Powerful
- High Efficiency 3000k LED Lights (x2)
- Whisper Quiet Blowers remove smoke and grease
- Dishwasher Safe Aluminum Mesh Filters
- Use Alone or in Multiples
- Made In Italy

## SPECIFICATIONS

**ELECTRICAL** 120VAC 60HZ 3.6 AMP\*

### DIMENSIONS

H 35 3/16"  
W 15 3/4"  
D 18 5/16"

**MOUNTING HEIGHT** 27" - 32"

### OPTIONS

Recirculation Kit **XORFK16**  
Recirculation Filters **XORFRND**  
Make Up Air Kit (6") **XOMA06**

### RECIRCULATION OPTION

Filtered exhaust from the hood is returned to the kitchen via a top vent.

### PERFORMANCE

SPEED	1	2	3
CFM	160	395	600
SONES	1.0	4.0	6.5

### IMPORTANT NOTE:

Recirculation requires 4" minimum clearance above the unit. In kitchens where inadequate ceiling height exists, the side venting XOCYL may be a solution.

\*dedicated 15 amp service required  
unit must be properly grounded  
see installation instructions

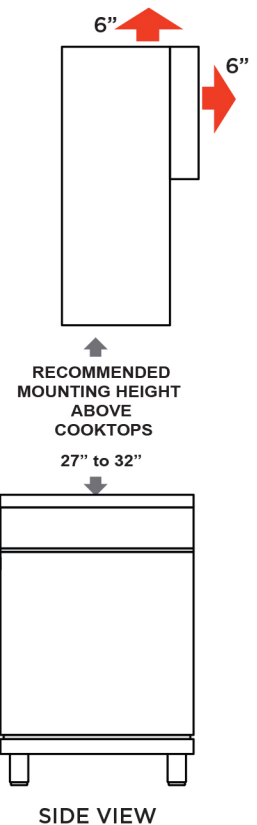
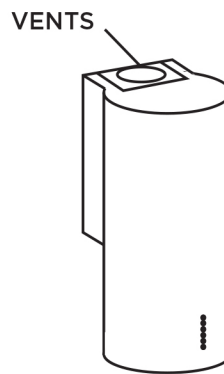
## RECOMMENDED MOUNTING HEIGHT

All range hoods have a recommended range of installation height over the cooking surface. However cooking styles, types of cooking equipment and installation limitation can vary greatly. For installations outside the recommended range - consult XO.

THESE MODELS HAVE A 6" DIAMETER EXHAUST DUCT

## RECIRCULATION

The XOCYL model may be installed with an optional recirculation kit when venting outside is not practical. When used in recirculation mode the filtered exhaust is directed back into the living space through a vent grill in the top. This requires a minimum clearance of 4" from the ceiling.



## HOW DOES CODE COMPLIANCE CONTROL HELP -



**CODE COMPLIANCE CONTROL (CCC)** enables the installer to re-program the hood as it is being installed. **Your XO Hood is set to operate at 600 CFM maximum at the factory.**

Re-programming is accomplished quickly and requires no special tools or additional parts but once done, the air flow rate is limited to a maximum of 395 CFM below the 400 CFM cap that most local codes impose eliminating the need for additional controls.

Re-programming also disables the Power Boost function. After conversion, the installer affixes a label stating the unit has been converted to 395 CFM max. Once done, the unit cannot be changed back.

If your application calls for a make-up air solution, XO gives you more choices.