



XOD34PROBF
SINK PRO NANOGRIND

3 BOLT BATCH FEED WASTE DISPOSALS



XOD34PROBF

- 3 Bolt Mount
- High Speed Magnet Motor
- Septic Safe

YOUR XO KITCHEN WASTE DISPOSAL

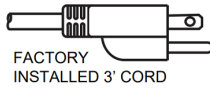
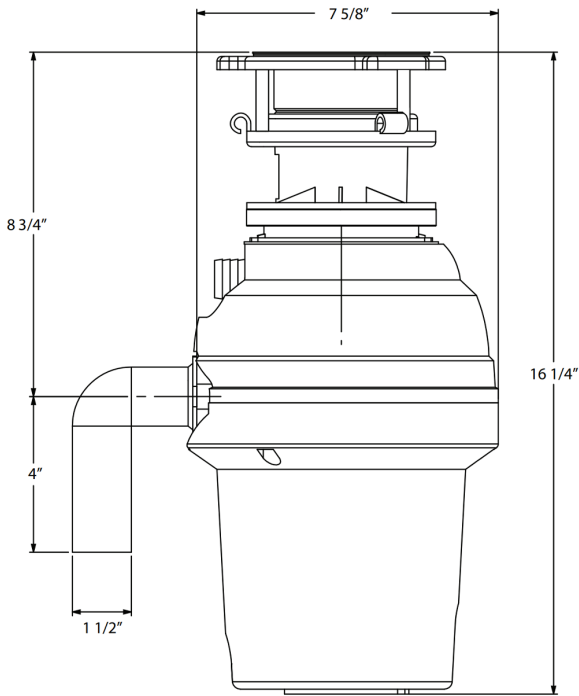
XO WASTE DISPOSALS are the green kitchen convenience you can feel good about buying and using. Make cleanups a breeze and your kitchen clean and odor free. Quick, quiet grinding power to cut through tough foods. Backed by the best warranty in the business. Strong, Quiet, Reliable and takes out the garbage without being asked twice.

Is it possible to fall in love with an appliance?

WORLD CLASS SERVICE | COMPREHENSIVE WARRANTIES

OUR LASTING COMMITMENT TO YOU

CATEGORY: Continuous Feed 3 Bolt Mount



Limited warranty
see website for details



For 90 days, all our products
are backed by our unique
Love It or Leave It Guarantee*

(*Does not apply to XO Outdoor Kitchen Products)

PRODUCT HIGHLIGHTS

- Permanent Magnet Motor
- Generates High Torque / Avoid Jams
- Stainless Steel Turntable & Cast Impellers
- Bio-guard Antimicrobial Protection
- Safety Feed Stopper
- Factory Installed Power Cord and Plug
- Precision Balanced
- Sound Insulation Shield
- 3 Bolt Mount Adapts to Existing Hardware

SPECIFICATIONS

- 3/4 HP Continuous Feed Disposal
- 3' Long 3 Prong Power Cord
- Manual Reset Thermal Overload Protection
- 120 V / 60 Hz - 4.6 amps
- All XO Disposals are UL Listed

SAFETY FEED GUARD

No remote switch required.
Unit operates when the Safety
Feed Guard is inserted into the
drain and pushed down
to activate



xoappliance.com | 800.966.8300