



**XOE230\_**  
COMPACT UNDER CABINET HOOD

HOW BEAUTIFUL KITCHENS BREATHE



**XOE230S**



**XOE230B**



**XOE230W**

- 3 Speed Electronic Controls
- Brilliant LED Illumination
- Dishwasher Safe Hybrid Mesh Filter
- 5 Minute Delay

The XOE230\_ is part of our Performance collection, designed with the Do-It-Yourselfer and smaller kitchen makeovers in mind. It provides customers the opportunity to employ XO quality and innovation to vent their kitchen without having to re-invent their kitchen.

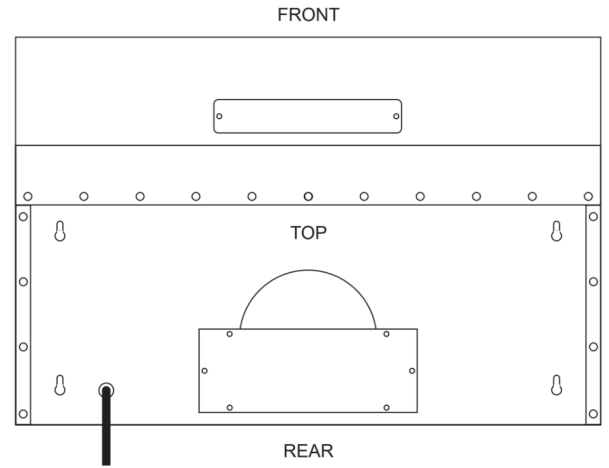
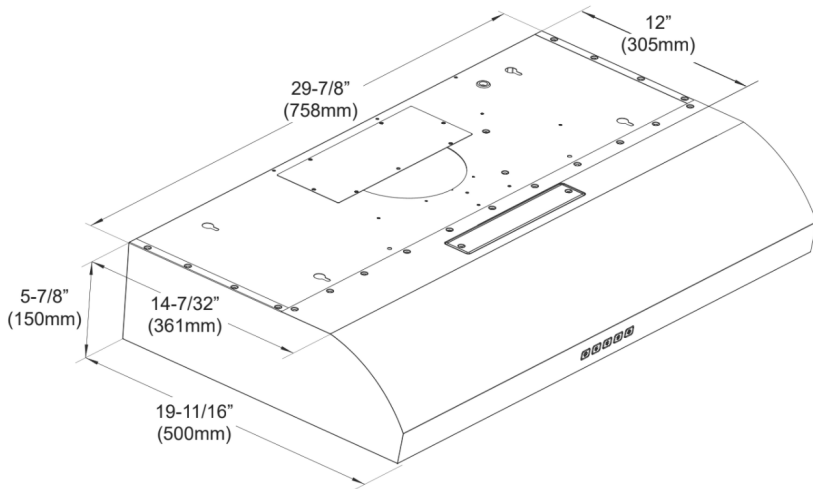
Capable of vented operation or recirculation with an optional kit (sold separately), the XOE230 series is available in three finishes; Stainless Steel, Black or White

At XO, we believe that a good design is something everyone can afford

WORLD CLASS SERVICE | COMPREHENSIVE WARRANTIES

OUR LASTING COMMITMENT TO YOU





## FEATURES

**FINISH**

Stainless Steel, Black or White

**FEATURES**

- Brilliant LED Illumination
- 3 Speed Electronic Controls
- High Velocity Blower optimally removes Smoke, Grease and Odors
- Top or Rear venting
- Capable of ventless operation
- Dishwasher Safe Hybrid Mesh Filter
- 5 Minute Delay

## PERFORMANCE

SPEED	1	2	3
CFM	190	250	400
SONES	1.0	4.0	5.5

## SPECIFICATIONS

**ELECTRICAL** 115V 60HZ 2.5 AMP

**DIMENSIONS** H 5 7/8"  
W 29 7/8"  
D 19 11/16"

**MOUNTING HEIGHT**  
ABOVE COOKING 27" - 32"

**DUCTING SIZES**  
Top - 7" round or 3 1/4" x 10"  
Rear - 3 1/4" x 10"

**OPTIONS**  
Recirculation Kit **XORFK10**  
Hybrid Mesh Filter **XOEMESH30**

## RECOMMENDED MOUNTING HEIGHT

All range hoods have a recommended range of installation height over the cooking surface. However cooking styles, types of cooking equipment and installation limitation can vary greatly. For installations outside the recommended range - consult XO.

THESE MODELS HAVE A 7" DIAMETER EXHAUST DUCT WHICH MAY BE CONFIGURED 3-1/4" x 10" RECTANGULAR DUCT. IT MAY ALSO BE CONVERTED FOR REAR VENTING.

## RECIRCULATION

These XOE models may be installed with an optional recirculation kit when venting outside is not practical. The unit design includes vents in the top, front of the unit for easy installation.

Never discharge the exhaust into a confined space such as a soffit, attic, garage, crawl space or the voids between walls.

