



**XOI21SMUA**  
INSERT HOOD

HOW BEAUTIFUL KITCHENS BREATHE



**XOI21SMUA**

- High Velocity Blower | 395 CFM Max
- 3 Speed Push Button Controls
- Dishwasher safe Aluminum Mesh Filters
- Two 50W Halogen Lights

DESIGNED AND CRAFTED IN ITALY

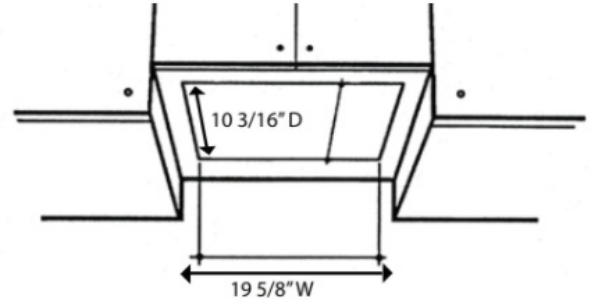
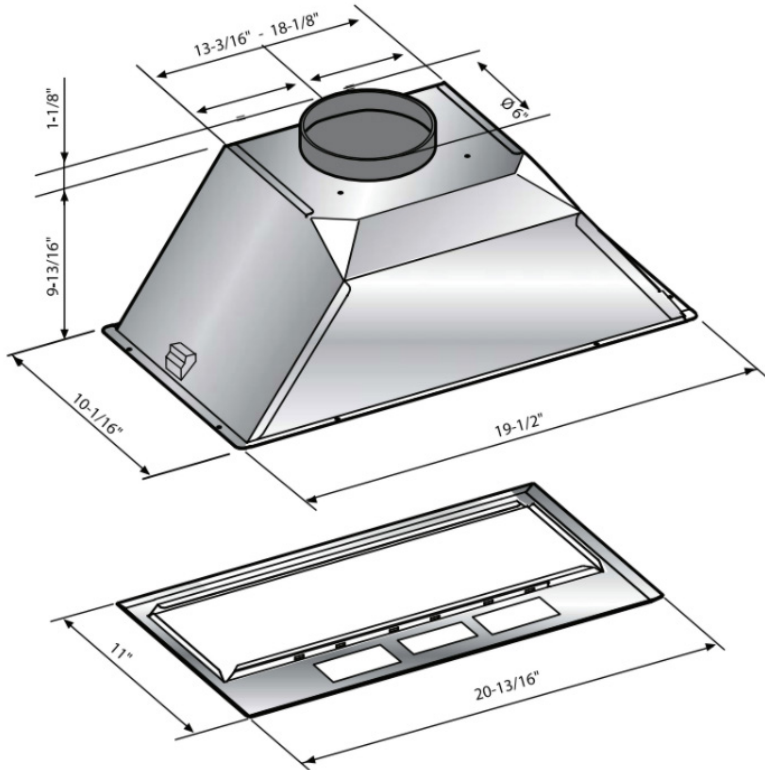
The XO I insert is an integrated blower which allows you to match your custom hood to your kitchen. This simple and affordable design is easy to install. Designed and crafted in Italy for the ultimate in fit and finish.

At XO, we believe that a good design is something everyone can afford

WORLD CLASS SERVICE | COMPREHENSIVE WARRANTIES

OUR LASTING COMMITMENT TO YOU





**IMPORTANT NOTE:** When used in a recirculating mode, provision must be made to return the exhaust to the living space - see installation instructions for complete information



## FEATURES

- FINISH** Silver
- FEATURES**
- High Velocity Blower | 395 CFM Maximum
  - 3 Speed Push Button Controls
  - Two 50W Halogen Lights
  - Dishwasher Safe Aluminum Mesh Filters
  - Compact Design Makes Installation a Breeze
  - Sound level: 1.0-4.0 sones

## PERFORMANCE

SPEED	1	2	3
CFM	150	250	395
SONES	1.0	2.4	4.0

## SPECIFICATIONS

**ELECTRICAL** 115VAC 60HZ 3.6 AMP

### DIMENSIONS

H 10-15/16"

W 20-13/16

D " 11"

### CUTOUT DIMENSIONS

19-5/8" x 10 3/16"

### DUCT OPTIONS

- 6" Duct Required
- Ductless option for applications where no ducting is available

### MOUNTING HEIGHT

ABOVE COOKING 27" - 32"

### OPTIONS

Recirculation Kit

**XORFK12**

Recirculation Filters

**XORFRND**

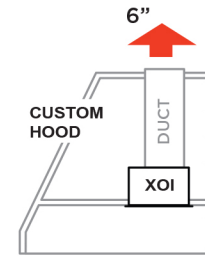
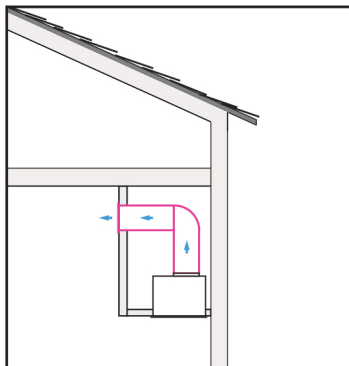
### RECOMMENDED MOUNTING HEIGHT

All range hoods have a recommended range of installation height over the cooking surface. However cooking styles, types of cooking equipment and installation limitation can vary greatly. For installations outside the recommended range - consult XO.

THESE MODELS HAVE A 6" DIAMETER EXHAUST DUCT WHICH MAY BE CONFIGURED FOR TOP OR REAR DISCHARGE - CONSULT MANUAL FOR ADDITIONAL INFORMATION.

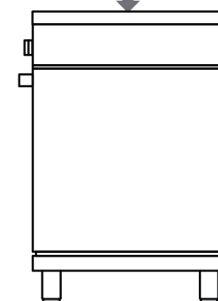
### RECIRCULATION

These XO models may be installed with an optional recirculation kit when venting outside is not practical. When used in recirculation mode the filtered exhaust must be ducted back into the living space. Never discharge the exhaust into a confined space such as a soffit, attic, garage, crawl space or the voids between walls.



RECOMMENDED MOUNTING HEIGHT ABOVE COOKTOPS

27" to 32"



SIDE VIEW

### HOW DOES CODE COMPLIANCE CONTROL HELP -



**CODE COMPLIANCE CONTROL (CCC)** enables the installer to re-program the hood as it is being installed. **Your XO Hood is set to operate at 600 CFM maximum at the factory.**

Re-programming is accomplished quickly and requires no special tools or additional parts but once done, the air flow rate is limited to a maximum of 395 CFM below the 400 CFM cap that most local codes impose eliminating the need for additional controls.

Re-programming also disables the Power Boost function. After conversion, the installer affixes a label stating the unit has been converted to 395 CFM max. Once done, the unit cannot be changed back.

If your application calls for a make-up air solution, XO gives you more choices.