



XOM_GC
WALL MOUNT HOOD

HOW BEAUTIFUL KITCHENS BREATHE



XOM_GC

- 3 Speed Control + Power Boost
- CCC Code Compliance Control
- High Efficiency 3000k LED Lights (x2)
- 5 Minute delay function

DESIGNED AND CRAFTED IN ITALY

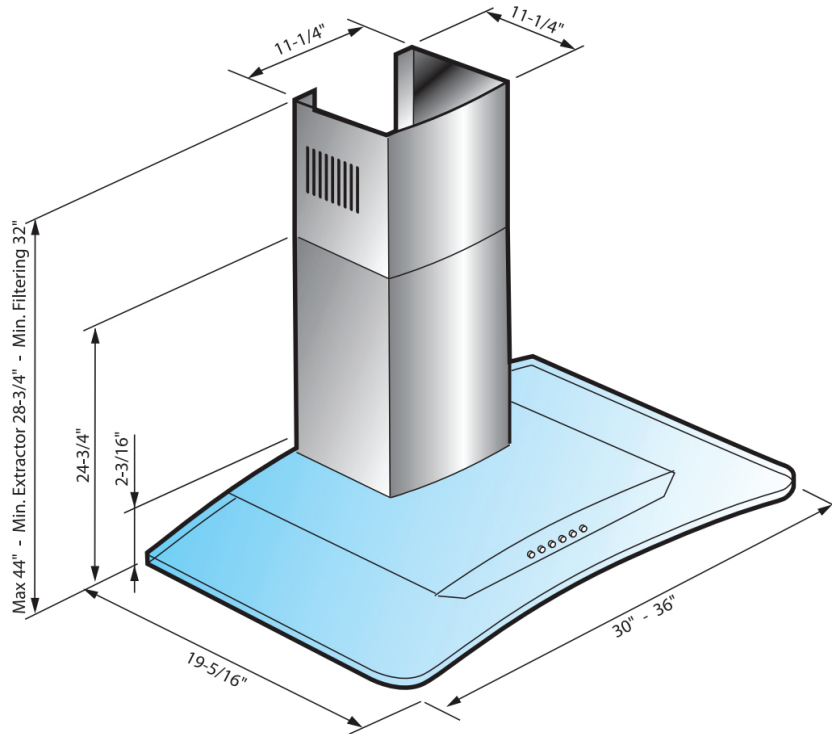
The XOM is a beautiful combination of glass and stainless steel. The curved design makes an elegant statement in any décor. Available in a wall mount or island mount (XOMI).

At XO, we believe that a good design is something everyone can afford

WORLD CLASS SERVICE | COMPREHENSIVE WARRANTIES

OUR LASTING COMMITMENT TO YOU





FEATURES

FINISH

Glass/Stainless Steel

FEATURES

- Electronic 3 Speed Control + Power Boost
- CCC Code Compliance Control - 395 or 600 CFM
- High Efficiency 3000k LED Lights (x2)
- Beautiful combination of glass and stainless steel
- High Velocity Blower optimally removes Smoke, Grease and Odors
- Standard Chimney fits ceilings up to 9' tall
- Dishwasher Safe Aluminum Mesh Filter
- 5 Minute Delay Shutoff Timer
- Made In Italy

PERFORMANCE

SPEED	1	2	3	BOOST
CFM	160	250	395	600
SONES	1.0	2.5	4.0	6.5

SPECIFICATIONS

ELECTRICAL 115VAC 60HZ 3.6 AMP

DIMENSIONS

H MAX 44" - MIN 32" (Recirc)
 MIN 28 3/4" (Vented)
 W 30" - 36"
 D 19 5/16"
 (Refer to illustration above)

MOUNTING HEIGHT

ABOVE COOKING 27" - 32"

OPTIONS

- Recirculation Kit **XORFK01**
 - Recirculation Filters **XORFSQR**
 - Make Up Air Kit (6") **XOMA06**
 - Duct Cover Extended **XOEDCM2**
- (For ceilings up to 10' tall)

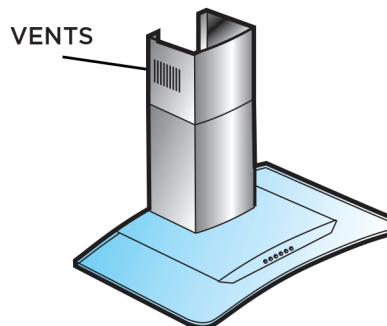
RECOMMENDED MOUNTING HEIGHT

All range hoods have a recommended range of installation height over the cooking surface. However cooking styles, types of cooking equipment and installation limitation can vary greatly. For installations outside the recommended range - consult XO.

THESE MODELS HAVE A 6" DIAMETER VERTICAL EXHAUST DUCT

RECIRCULATION

These XOM models may be installed with an optional recirculation kit when venting outside is not practical. When used in recirculation mode the filtered exhaust is directed back into the living space through vents in the telescoping duct cover. These vents cannot be covered in the installation.



HOW DOES CODE COMPLIANCE CONTROL HELP -



CODE COMPLIANCE CONTROL (CCC) enables the installer to re-program the hood as it is being installed. **Your XO Hood is set to operate at 600 CFM maximum at the factory.**

Re-programming is accomplished quickly and requires no special tools or additional parts but once done, the air flow rate is limited to a maximum of 395 CFM below the 400 CFM cap that most local codes impose eliminating the need for additional controls.

Re-programming also disables the Power Boost function. After conversion, the installer affixes a label stating the unit has been converted to 395 CFM max. Once done, the unit cannot be changed back.

If your application calls for a make-up air solution, XO gives you more choices.