



**XOOTR24BS**  
 SPACE SAVING OVER-THE-RANGE  
 MICROWAVE OVEN + VENTILATION

HOW BEAUTIFUL KITCHENS BREATHE



**XOOTR24BS**

- 1000W | 1.34 cu ft Microwave
- Touch Controls w 10 Power Levels
- Sensor Cooking and Auto-Defrost
- 2 Speed Blower 105 / 300 CFM

24" OVER-THE-RANGE MICROWAVE OVEN  
 Perfect for smaller kitchens

This elegant space saving appliance is both an efficient, fully featured microwave oven and kitchen ventilation system capable of either recirculation for installations where venting outside is not possible, or ducted operating from either the top or rear of the unit.

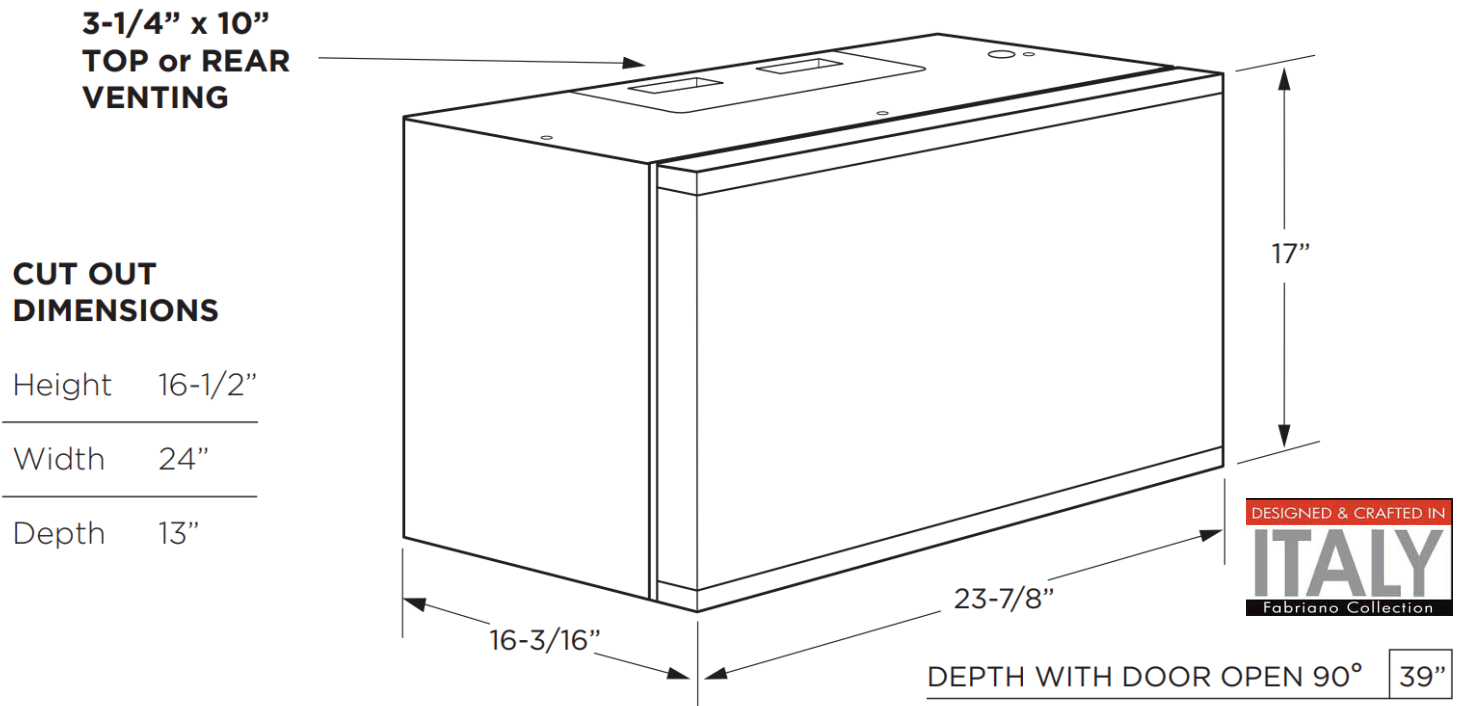
Small in size - big on functionality. just what you would expect from XO.

WORLD CLASS SERVICE | COMPREHENSIVE WARRANTIES  
 OUR LASTING COMMITMENT TO YOU



# XOOTER24BS

## OVER-THE-RANGE MICROWAVE OVEN



### FEATURES

#### FINISH

Black Glass Door w Stainless Steel Trim  
Integrated Handle  
LED Clock  
2 Level LED Lighting Illuminates Cooking Area

#### MICROWAVE

1000W | 1.34 cu ft Microwave  
Touch Controls w 10 Power Levels  
Pre-Programmed Control Options  
Sensor Cooking and Auto-Defrost  
13-5/8" Diameter Turntable w On/Off Feature

#### VENTILATION

2 Speed Blower 105 / 300 CFM (MUA Comp)  
Recirculation Standard  
Top/Rear Venting Option, Included (3-1/4" x 10")  
Auto Start Heat Sensor  
Dishwasher Safe Grease Filters  
Carbon Filter for Recirculation, Included

### SPECIFICATIONS

**ELECTRICAL** 120VAC 60HZ 13 AMP\*

**PWR CONNECTIONS** RIGHT TOP REAR

**OVEN INTERIOR** WHITE

#### INTERIOR DIM

10-11/16" x 15-3/8" x 15-5/16"

**SHIPPING WEIGHT** 59 LBS

\*dedicated 15 amp service required  
unit must be properly grounded  
see installation instructions

### PERFORMANCE

SPEED	1	2
CFM	105	300
SONES	1	5.5

**XO** the next level  
in luxury appliances  
xoappliance.com | 800.966.8300



XO is exclusively distributed by  
EASTERN MARKETING CORP.  
24 Eisenhower Parkway  
Roseland, NJ 07068