



XOP_SC
UNDER CABINET

HOW BEAUTIFUL KITCHENS BREATHE



XOP_SC

- High-Velocity Blower
- Incomparable handcrafted Italian finish
- 3 speed electronic illuminated controls
- 5 Minute delay function

DESIGNED AND CRAFTED IN ITALY

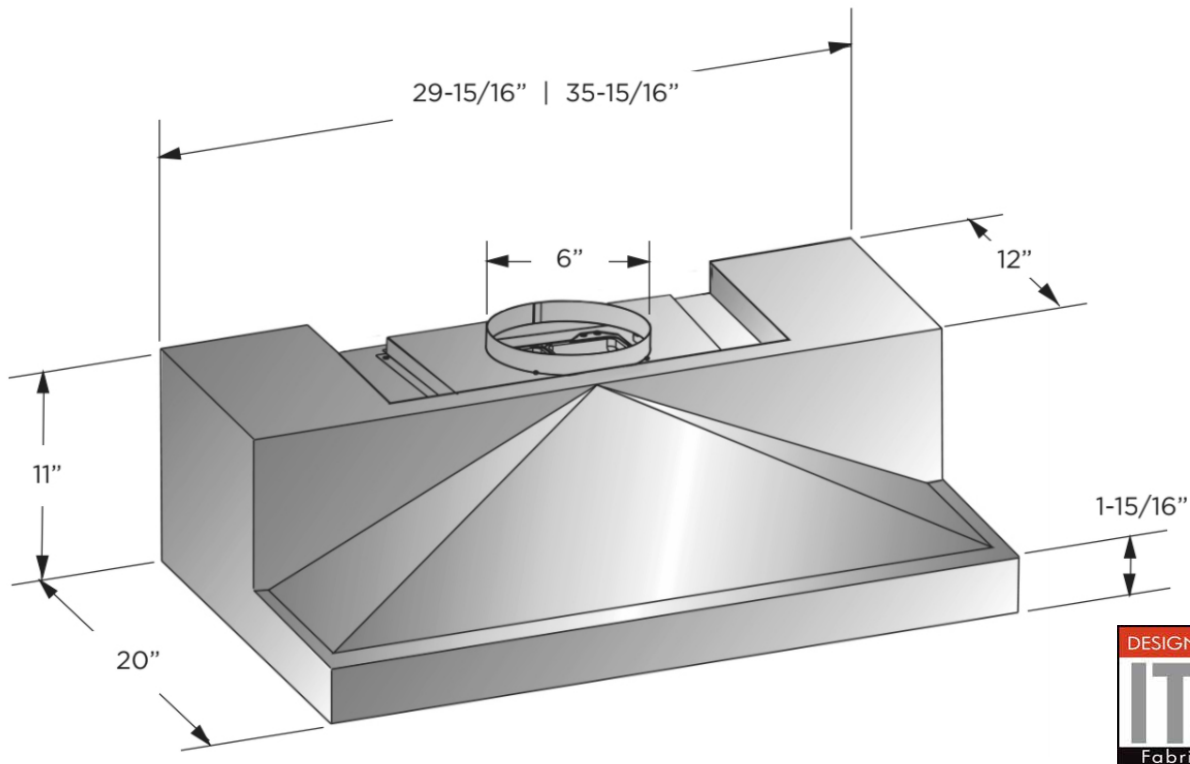
The XOP Pyramid creates a striking architectural impression with bold angles and smoothly finished edges. Don't let its good looks fool you; it's packed with power to handle even the most skilled cooking tasks. Great design allows venting from the rear, top or recirculating.

At XO, we believe that a good design is something everyone can afford

WORLD CLASS SERVICE | COMPREHENSIVE WARRANTIES

OUR LASTING COMMITMENT TO YOU





FEATURES

FINISH

Stainless Steel

FEATURES

- Electronic 3 Speed Control + Power Boost
- CCC Code Compliance Control - 395 or 600 CFM
- High Efficiency 3000K LED Lights (x2)
- High Velocity Blower optimally removes Smoke, Grease and Odors
- Dishwasher Safe Aluminum Mesh Filter
- 6" Top or Rear Duct or Recirculating (Kit Sold Separately)
- 5 Minute Delay Shutoff Timer
- Made In Italy

PERFORMANCE

SPEED	1	2	3	BOOST
CFM	160	250	395	600
SONES	1.0	2.5	4.0	6.5

SPECIFICATIONS

ELECTRICAL 115VAC 60HZ 3.6 AMP

DIMENSIONS H 11"
W 29-15/16" | 35-15/16"
D 20"

MOUNTING HEIGHT
ABOVE COOKING 27" - 32"

DUCTING OPTIONS
6 inch round top or rear venting
Ductless Option for applications where no ducting is available

OPTIONS
Recirculation Kit
Make Up Air Kit (6")

XORFRND
XOMA06

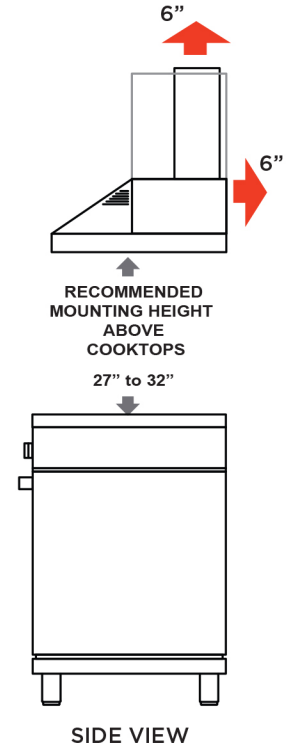
RECOMMENDED MOUNTING HEIGHT

All range hoods have a recommended range of installation height over the cooking surface. However cooking styles, types of cooking equipment and installation limitation can vary greatly. For installations outside the recommended range - consult XO.

THESE MODELS HAVE A 6" DIAMETER EXHAUST DUCT WHICH MAY BE CONFIGURED FOR TOP OR REAR DISCHARGE - CONSULT MANUAL FOR ADDITIONAL INFORMATION.

RECIRCULATION

These XOP models may be installed with an optional recirculation kit when venting outside is not practical. The recirculation kit includes a vented housing that mounts on top of the hood. This housing adds 2-1/4" to the height of the unit. Never discharge the exhaust into a confined space such as a soffit, attic, garage, crawl space or the voids between walls.



HOW DOES CODE COMPLIANCE CONTROL HELP -



CODE COMPLIANCE CONTROL (CCC) enables the installer to re-program the hood as it is being installed. **Your XO Hood is set to operate at 600 CFM maximum at the factory.**

Re-programming is accomplished quickly and requires no special tools or additional parts but once done, the air flow rate is limited to a maximum of 395 CFM below the 400 CFM cap that most local codes impose eliminating the need for additional controls.

Re-programming also disables the Power Boost function. After conversion, the installer affixes a label stating the unit has been converted to 395 CFM max. Once done, the unit cannot be changed back.

If your application calls for a make-up air solution, XO gives you more choices.