



**XOU15BCGBS**

15" BLACK STAINLESS STEEL UNDERCOUNTER  
BEVERAGE CENTER

## 15" UNDERCOUNTER BEVERAGE CENTER



**XOU15BCGBS**

- Shelves Extend Fully While Loaded
- Tri-Color LED Interior Lighting
- Secure Door Lock
- Shelves Adjust To 15 Different Positions

## 15" UNDERCOUNTER OUTDOOR BEVERAGE CENTER

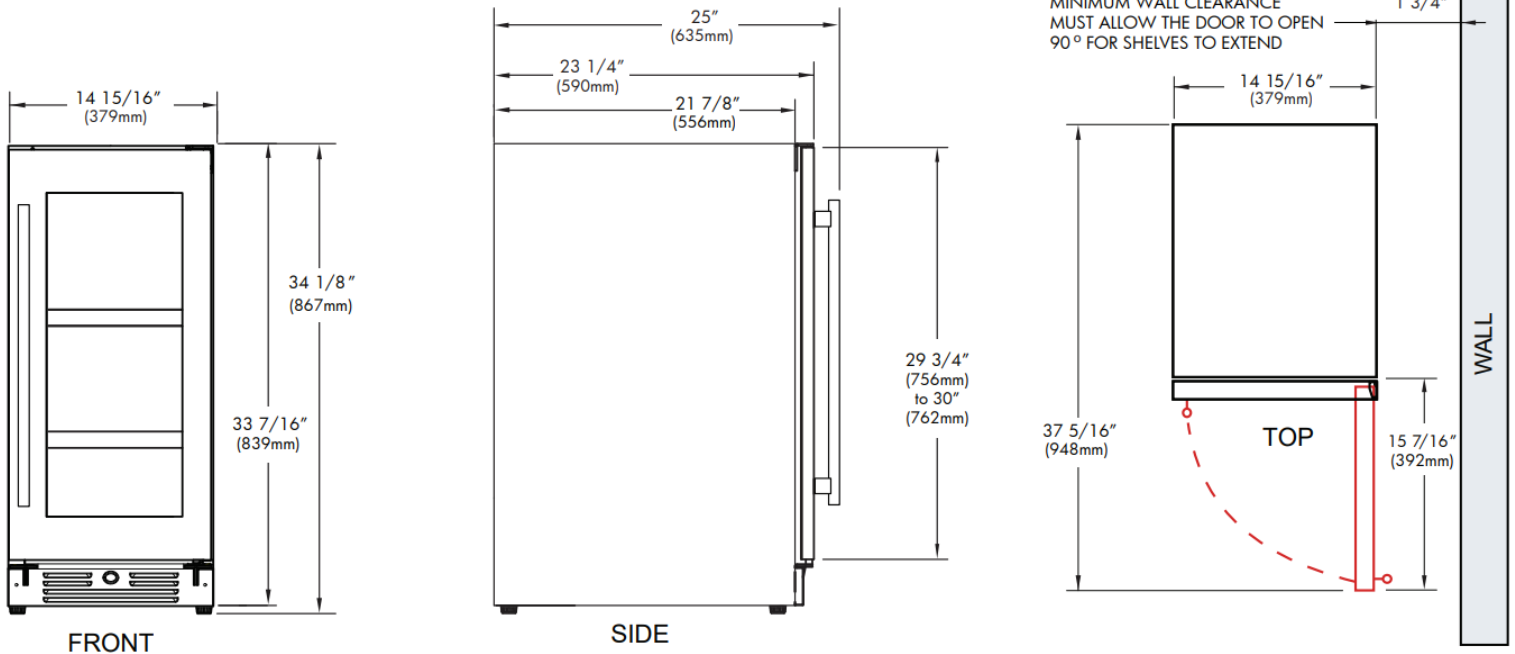
Store up to 66 (12oz) cans at a frosty 34° to 50° F and still find just what your are looking for. The clear glass shelves fully extend while fully loaded enabling you to see the entire contents at a glance. No more fumbling around or emptying the unit to find what you want.

And because beverages come in all shapes and sizes, the shelves of your XO beverage center can quickly adjust to 15 different positions.

WORLD CLASS SERVICE | COMPREHENSIVE WARRANTIES

**OUR LASTING COMMITMENT TO YOU**

\*Specify **R** for right hand hinge - or - **L** for left hand hinge



## FEATURES

### CAPACITY

Full extension clear glass shelves hold:  
 (66) 12oz Cans At 34° To 50° F

### FEATURES

- Zero clearance hinges for flush integration
- Secure door lock
- Non-reversible door - specify right or left hinge
- Removable 3 bottle wine rack
- Library quiet 39 dBA operation
- Elegant tri-color interior illumination
- Intuitive digital touch controls
- 6 1/2' Power Cord with low profile 90° flat plug
- Alarm Functions
- Energy Saver and Sabbath Mode

Note: zero clearance hinges are visible just above and below the door

## SPECIFICATIONS

- ELECTRICAL** 120V 60HZ 4.35 AMP\*
- DIMENSIONS**  
 H 34 1/8"  
 W 14 15/16"  
 D 23 1/4"
- ROUGH IN**  
 H 34 1/4" min  
 W 15"  
 D 24"
- REFRIGERANT** R600A

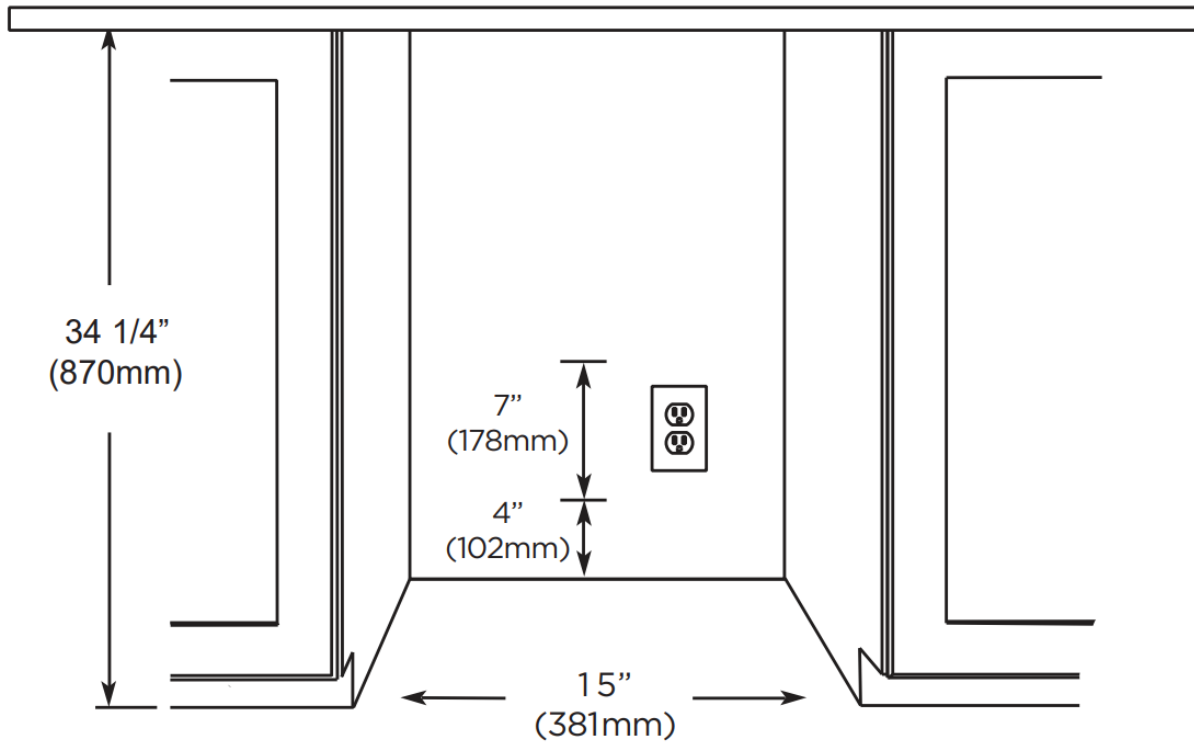


DESIGNER Handle Included



3 Bottle Wine Rack Included

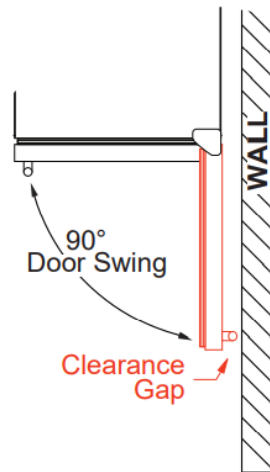
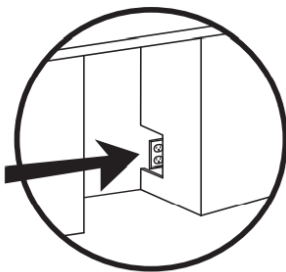
## ROUGH-IN DIMENSIONS



All XO undercounter units arrive pre-wired with low profile plugs for easy installation



Need more space - Cut into an adjoining cabinet to reach an outlet there



When installing with The hinge side next to a wall -Leave 1-3/4" clearance gap for cabinet handles door must be able to open a minimum of 90 .

If the door cannot open fully You cannot extend the shelves.

Consult the manual for Instructions on changing the door stop setting.