



**XOU15BCOF**

15" FULL PANEL OVERLAY UNDERCOUNTER  
BEVERAGE CENTER

## LUXURY LIFESTYLE REFRIGERATION



**XOU15BCOF**

- Glass Shelves Fully Extend While Loaded
- Tri-Color LED Interior Lighting
- Secure Door Lock
- Shelves Adjust To 15 Different Positions

### 15" UNDERCOUNTER BEVERAGE CENTER w/OVERLAY FRAME DOOR

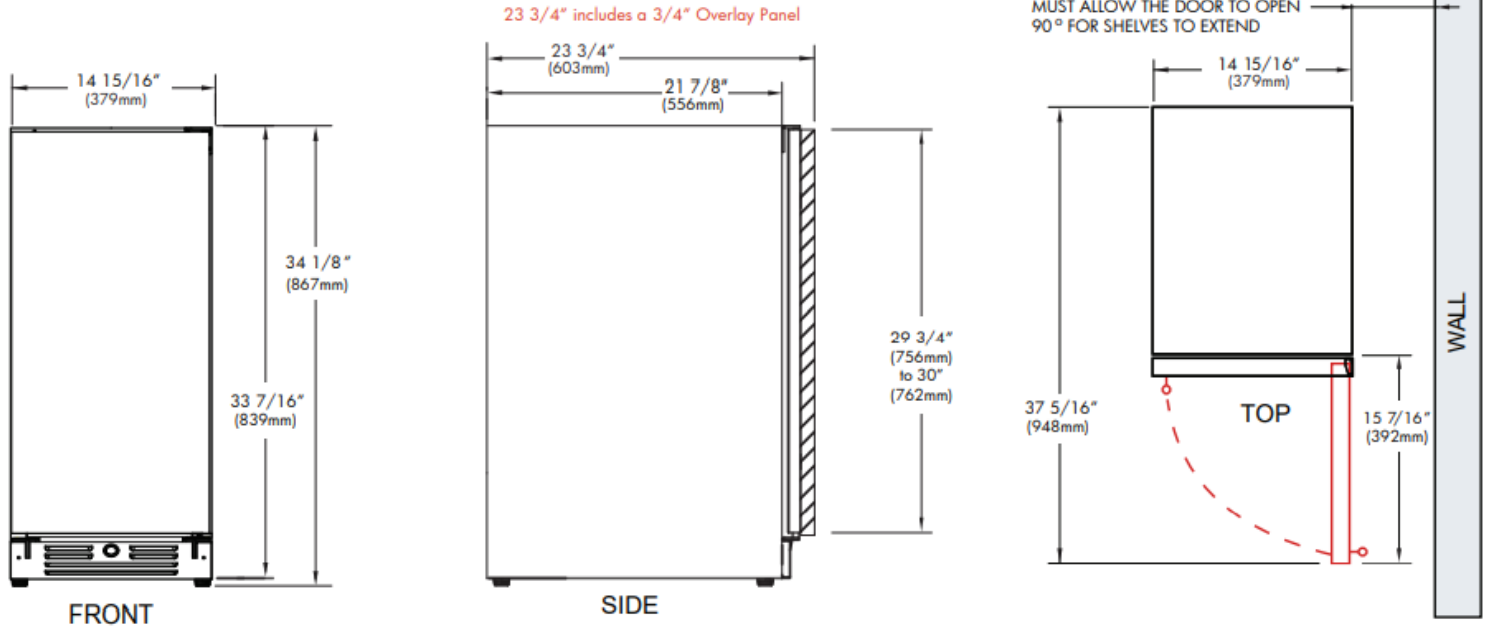
Store up to 66 (12oz) cans at a frosty 34° to 50° F and still find just what your are looking for. The clear glass shelves fully extend while fully loaded enabling you to see the entire contents at a glance. No more fumbling around or emptying the unit to find what you want.

And because beverages come in all shapes and sizes, the shelves of your XO beverage center can quickly adjust to 15 different positions.

WORLD CLASS SERVICE | COMPREHENSIVE WARRANTIES

OUR LASTING COMMITMENT TO YOU

\*Specify **R** for right hand hinge - or - **L** for left hand hinge



## FEATURES

## SPECIFICATIONS

### CAPACITY

Full extension smooth glide racks hold:  
(34) 750ml bottles at 41° to 64°F

### FEATURES

- Zero clearance hinges for flush integration\*
- Secure door lock
- Non-reversible door - specify left or right hinge
- Library quiet at 39dBA operation
- Elegant tri-color lighting
- Intuitive digital touch controls
- 6 1/2' power cord with low profile 90° flat plug
- Alarm functions
- Energy Saver and Sabbath mode

**ELECTRICAL** 120V 60HZ 4.35 AMP\*

**DIMENSIONS** H  $34 \frac{1}{8}''$   
W  $14 \frac{15}{16}''$   
D  $23 \frac{3}{4}''$  (w  $\frac{3}{4}''$  finish panel)

**ROUGH IN** H  $34 \frac{1}{4}''$  min  
W 15"  
D 24"

**REFRIGERANT** R600A

\* Note: Zero clearance hinges are visible just above and below door panel

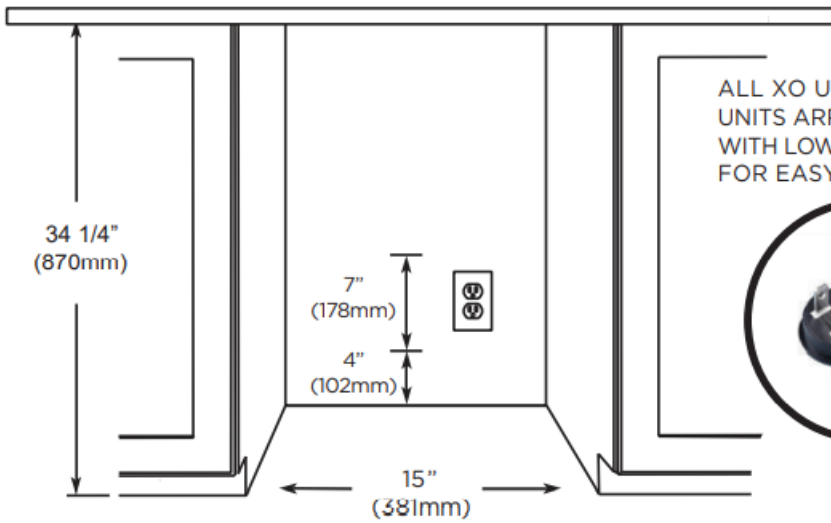


**XO** the next level  
in luxury appliances

xoappliance.com | 800.966.8300

XO is exclusively distributed by  
EASTERN MARKETING CORP.  
24 Eisenhower Parkway  
Roseland, NJ 07068

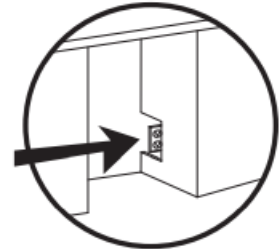
## ROUGH IN DIMENSIONS



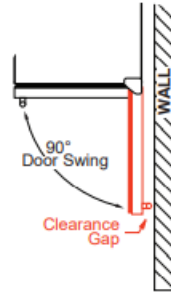
ALL XO UNDERCOUNTER UNITS ARRIVE PRE-WIRED WITH LOW PROFILE PLUGS FOR EASY INSTALLATION



NEED MORE SPACE - CUT INTO AN ADJOINING CABINET TO REACH AN OUTLET THERE

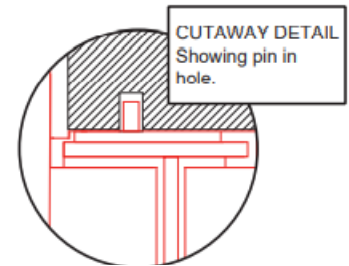


## OVERLAY FRAME DIMENSIONS

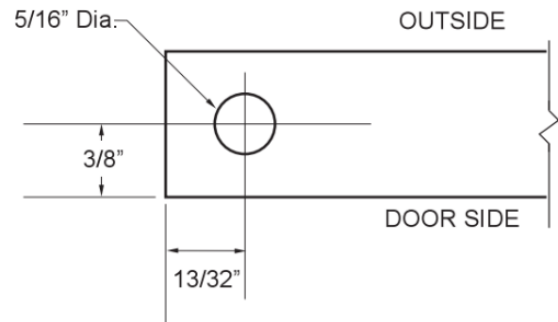


WHEN INSTALLING WITH THE HINGE SIDE NEXT TO A WALL - LEAVE ADEQUATE SPACE FOR CABINET HANDLES

DOOR MUST BE ABLE TO OPEN A MINIMUM OF 90°.



TO ACCOMMODATE THE HINGE PINS ON THE HINGE SIDE OF THE PANEL Drill a hole at least 5/16" in diameter and 1" deep into the top and bottom of the frame in the location shown.



THE DOOR STOP IS SET AT 110° BUT CAN BE RESET TO 90° OR 140°.

IF THE DOOR CANNOT OPEN FULLY YOU CANNOT EXTEND THE RACKS.

**XO** the next level in luxury appliances

xoappliance.com | 800.966.8300