



**XOU24BCGO**

24" PANEL READY BEVERAGE CENTER

## 24" PANEL READY UNDERCOUNTER BEVERAGE CENTER



**XOU24BCGO**

- Shelves Extend Fully While Loaded
- Secure Door Lock
- Tri-Color LED Interior Lighting
- Shelves Adjust To 15 Different Positions

### 24" PANEL READY UNDERCOUNTER BEVERAGE CENTER

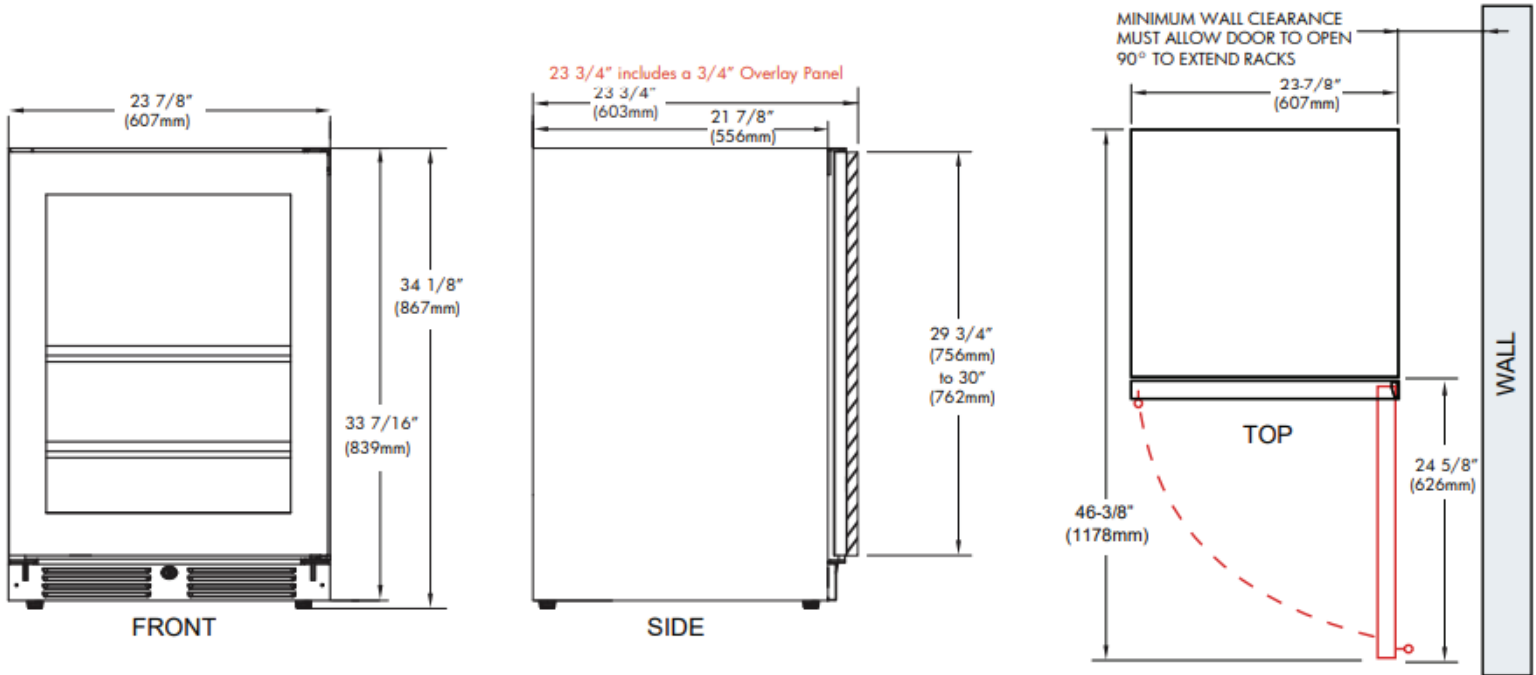
Store up to 145 (12oz) cans at a frosty 34° to 50° F and still find just what you are looking for. The clear glass shelves fully extend while fully loaded enabling you to see the entire contents at a glance. No more fumbling around or emptying the unit to find what you want.

And because beverages come in all shapes and sizes, the shelves of your XO beverage center can quickly adjust to 15 different levels.

WORLD CLASS SERVICE | COMPREHENSIVE WARRANTIES

**OUR LASTING COMMITMENT TO YOU**

\*Specify **R** for right hand hinge - or - **L** for left hand hinge



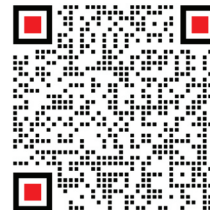
### FEATURES

- CAPACITY**
- Full extension smooth glide racks hold 145 (12oz) cans at 34° to 50 °F
- 
- FEATURES**
- Zero clearance hinges for flush integration\*
  - Secure door lock
  - Non- reversible door - specify right or left hinge
  - Library quiet 39 dBA operation
  - Elegant tri-color interior illumination
  - Removable 6 bottle wine rack
  - Intuitive digital touch controls
  - 6-1/2' Power Cord with low profile 90° flat plug
  - Low E Glass blocks harmful UV light
  - Alarm Functions
  - Energy Saver and Sabbath Mode

\* Note: zero clearance hinges are visible just above and below the door panel

### SPECIFICATIONS

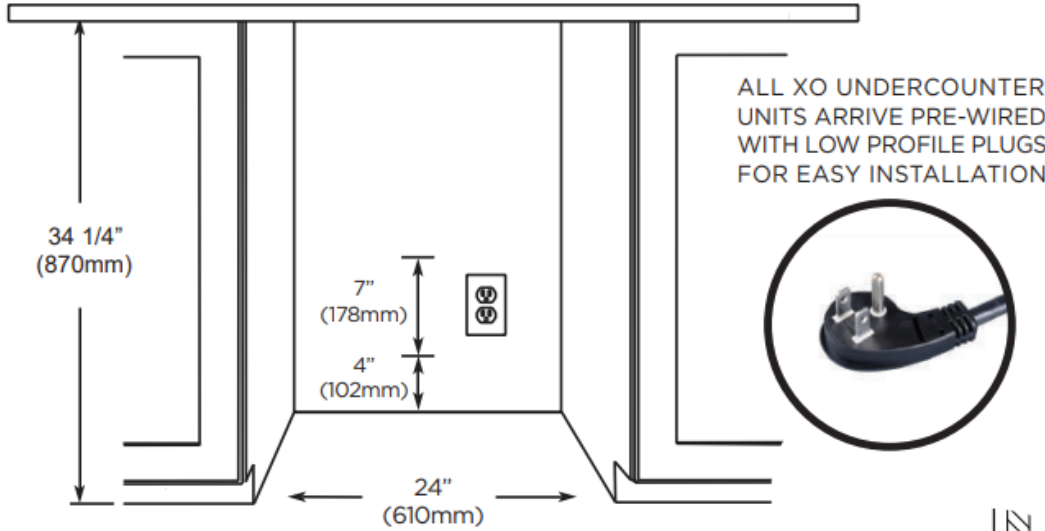
- ELECTRICAL** 120V 60HZ 4.35 AMP\*
- DIMENSIONS**
- H 34 1/8"
  - W 23 7/8"
  - D 23 3/4" (w 3/4" finish panel)
- PRODUCT WEIGHT** 115 lbs.
- ROUGH IN**
- H 34 1/4" min
  - W 24"
  - D 24"
- REFRIGERANT** R600A



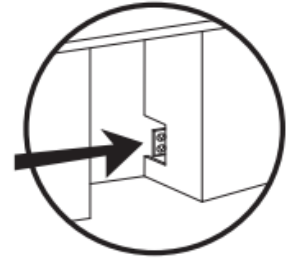
Scan the QR Code to see the installation video.



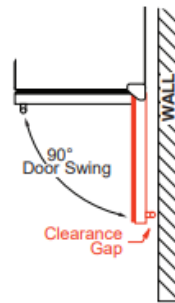
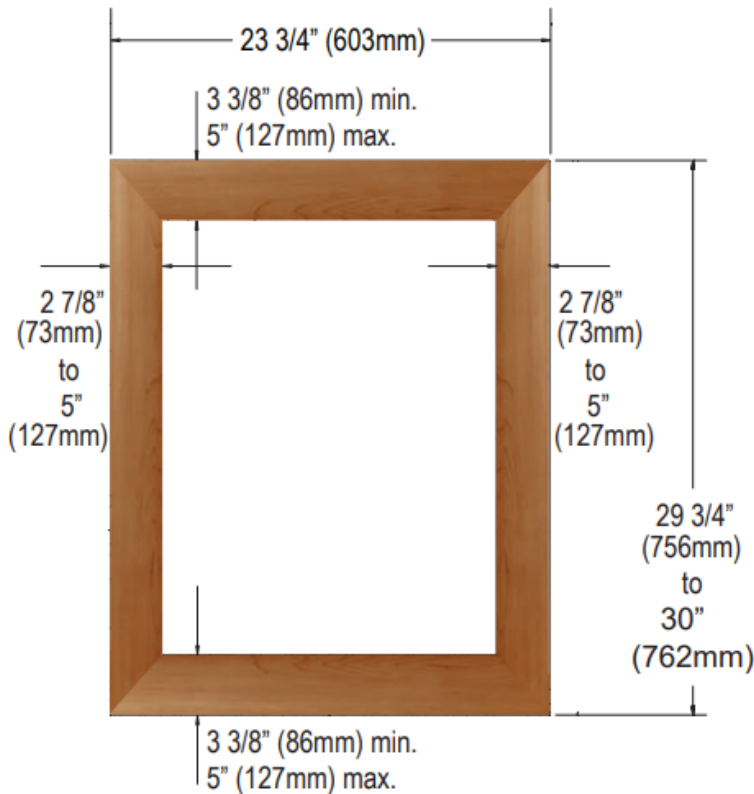
## ROUGH IN DIMENSIONS



NEED MORE SPACE - CUT INTO AN ADJOINING CABINET TO REACH AN OUTLET THERE

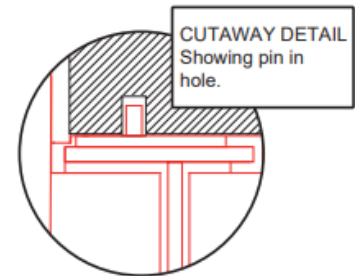


## OVERLAY FRAME DIMENSIONS

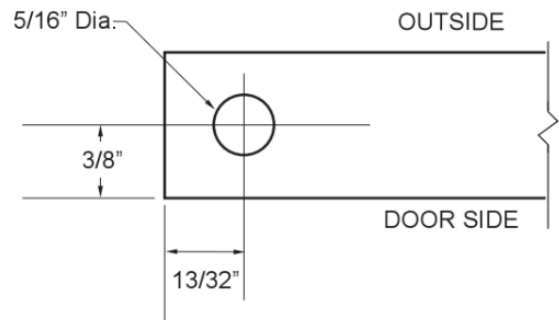


WHEN INSTALLING WITH THE HINGE SIDE NEXT TO A WALL - LEAVE ADEQUATE SPACE FOR CABINET HANDLES

DOOR MUST BE ABLE TO OPEN A MINIMUM OF 90°.



TO ACCOMMODATE THE HINGE PINS ON THE HINGE SIDE OF THE PANEL Drill a hole at least 5/16" in diameter and 1" deep into the top and bottom of the frame in the location shown.



THE DOOR STOP IS SET AT 110° BUT CAN BE RESET TO 90° OR 140°.

IF THE DOOR CANNOT OPEN FULLY YOU CANNOT EXTEND THE RACKS.

**XO** the next level in luxury appliances

xoappliance.com | 800.966.8300