



XOU24BCOF

24" FULL PANEL OVERLAY BEVERAGE CENTER

LUXURY LIFESTYLE REFRIGERATION



XOU24BCOF

- Shelves Extend Fully While Loaded
- Secure Door Lock
- Tri-Color LED Interior Lighting
- Shelves Adjust To 15 Different Positions

24" FULL PANEL OVERLAY UNDERCOUNTER BEVERAGE CENTER

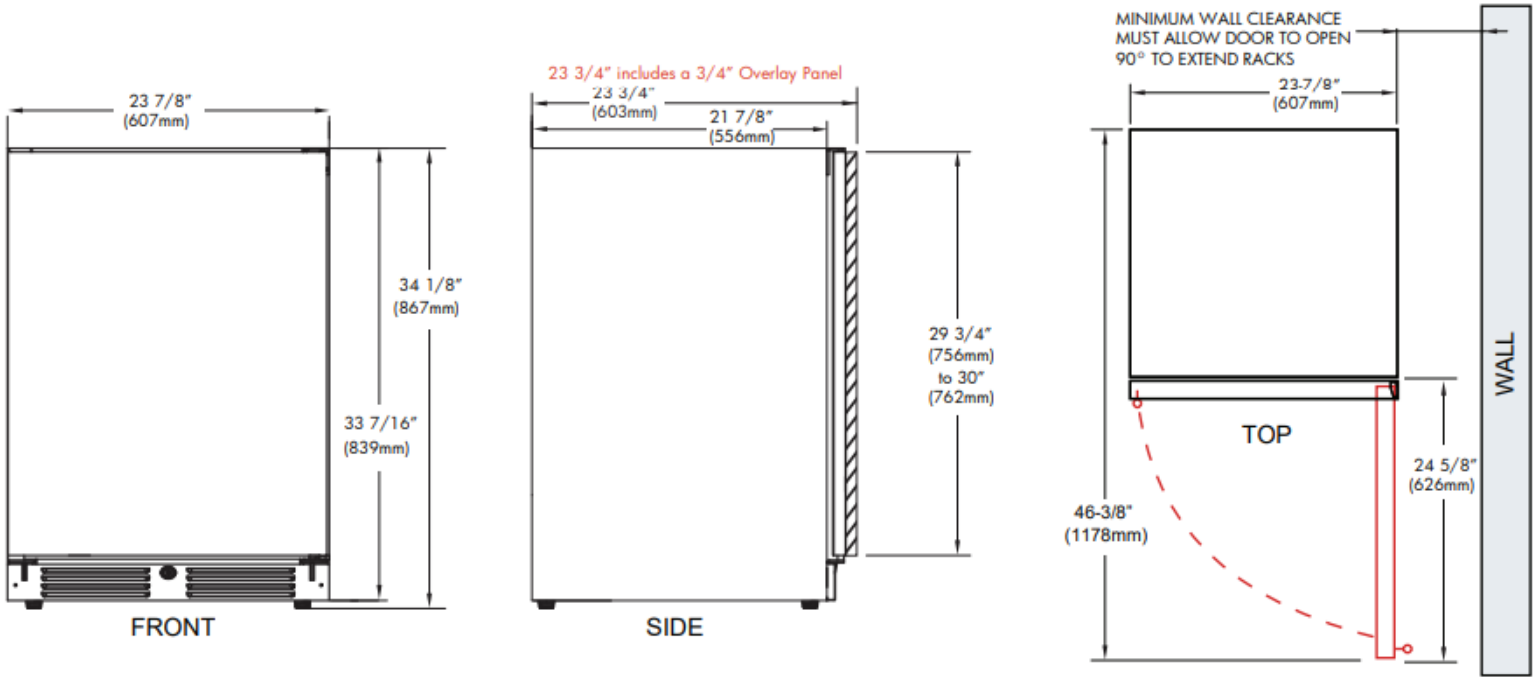
Store up to 145 (12oz) cans at a frosty 34° to 50° F and still find just what you are looking for. The clear glass shelves fully extend while fully loaded enabling you to see the entire contents at a glance. No more fumbling around or emptying the unit to find what you want.

And because beverages come in all shapes and sizes, the shelves of your XO beverage center can quickly adjust to 15 different levels.

WORLD CLASS SERVICE | COMPREHENSIVE WARRANTIES

OUR LASTING COMMITMENT TO YOU

*Specify **R** for right hand hinge - or - **L** for left hand hinge



FEATURES

CAPACITY

Full extension smooth glide racks hold 145 (12oz) cans at 34° to 50°F

FEATURES

- Zero clearance hinges for flush integration*
- Secure door lock
- Non-reversible door - specify left or right hinge
- Library quiet at 39dBA operation
- Elegant tri-color interior illumination
- Removable 6 bottle wine rack
- Intuitive digital touch controls
- 6 1/2' power cord with low profile 90° flat plug
- Alarm functions
- Energy Saver and Sabbath mode

* Note: Zero clearance hinges are visible just above and below door panel

SPECIFICATIONS

ELECTRICAL 120V 60HZ 4.35 AMP*

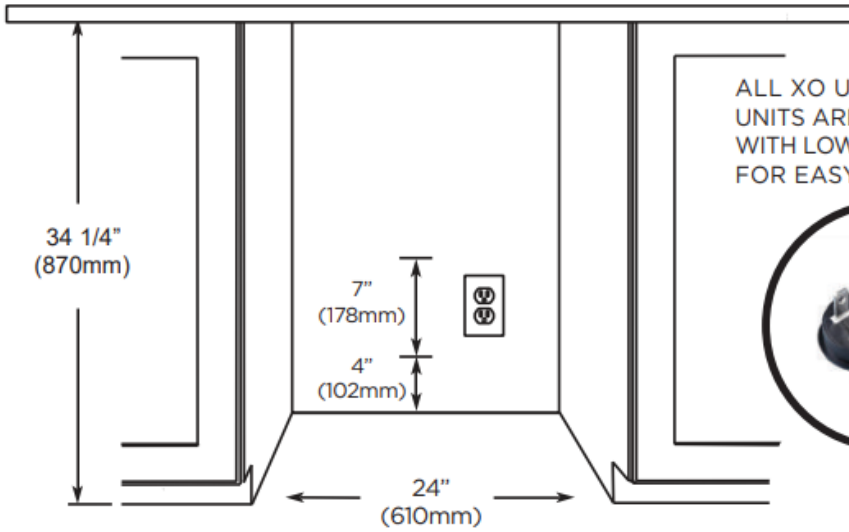
DIMENSIONS H 34 1/8"
W 23 7/8"
D 23 3/4" (w 3/4" finish panel)

ROUGH IN H 34 1/4" min
W 24"
D 24"

REFRIGERANT R600A



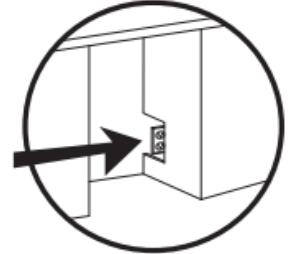
ROUGH IN DIMENSIONS



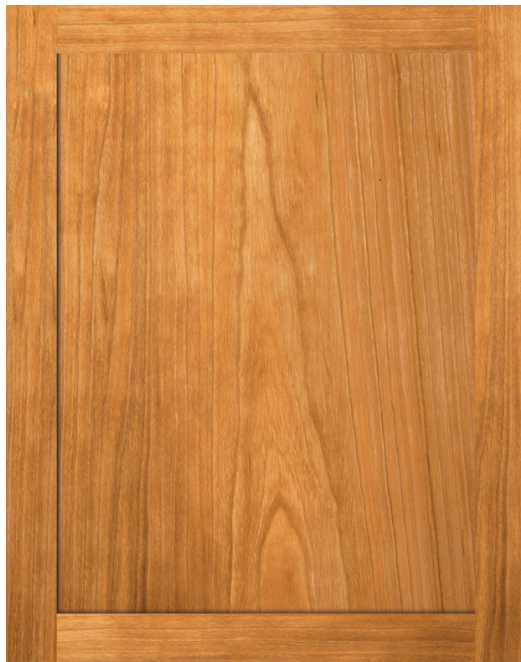
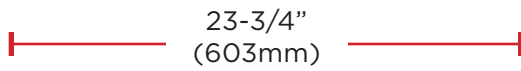
ALL XO UNDERCOUNTER UNITS ARRIVE PRE-WIRED WITH LOW PROFILE PLUGS FOR EASY INSTALLATION



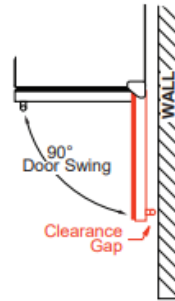
NEED MORE SPACE - CUT INTO AN ADJOINING CABINET TO REACH AN OUTLET THERE



OVERLAY FRAME DIMENSIONS

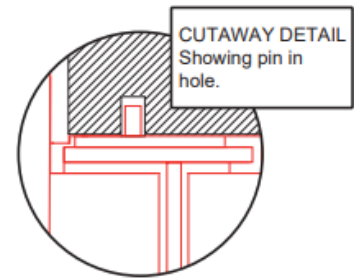


29-3/4" (756mm)



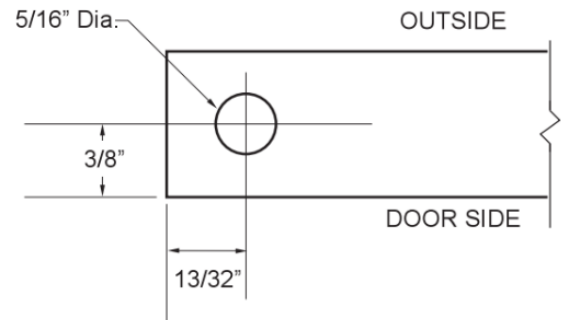
WHEN INSTALLING WITH THE HINGE SIDE NEXT TO A WALL - LEAVE ADEQUATE SPACE FOR CABINET HANDLES

DOOR MUST BE ABLE TO OPEN A MINIMUM OF 90°.



CUTAWAY DETAIL Showing pin in hole.

TO ACCOMMODATE THE HINGE PINS ON THE HINGE SIDE OF THE PANEL Drill a hole at least 5/16" in diameter and 1" deep into the top and bottom of the frame in the location shown.



THE DOOR STOP IS SET AT 110° BUT CAN BE RESET TO 90° OR 140°.

IF THE DOOR CANNOT OPEN FULLY YOU CANNOT EXTEND THE RACKS.