



XOU24RDS
24" REFRIGERATED DRAWERS

LUXURY LIFESTYLE REFRIGERATION



XOU24RDS

- Precise Temperature 34° F to 50° F
- 5.2 cu. ft. Capacity
- Elegant Tri-Color Illumination
- Stainless Steel Toe Kick

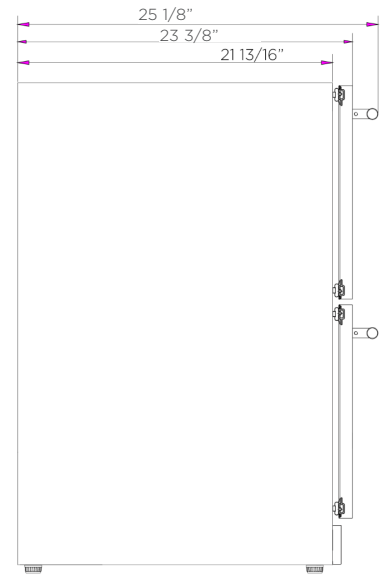
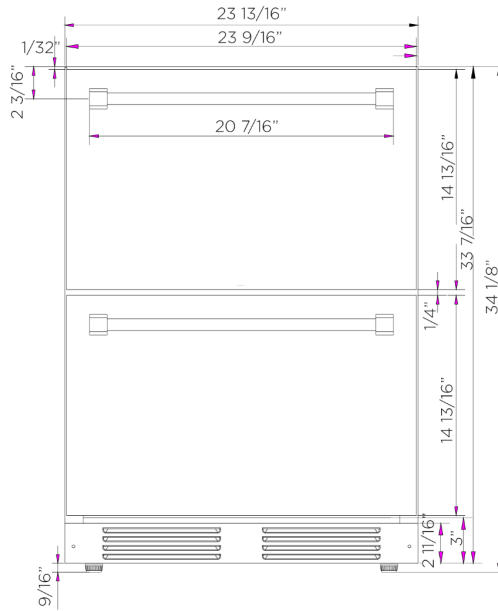
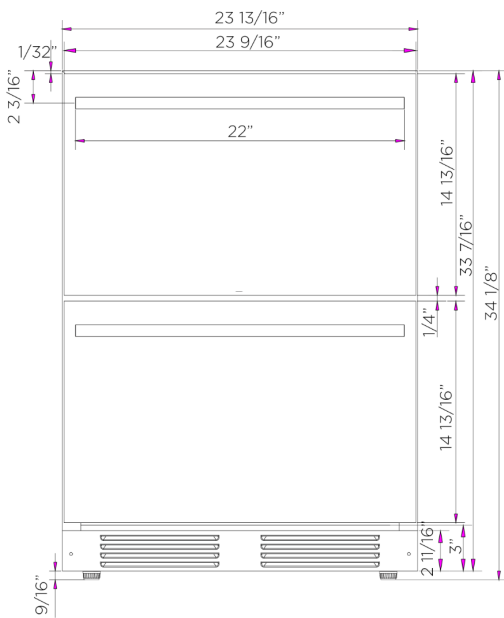
XO INDOOR REFRIGERATED DRAWERS

Store tall beverage containers or up to 132 - 12-oz cans in two large capacity roller-glide drawers. XO Refrigerated Drawers offer maximum storage capacity within easy reach and include a convenient divider to organize contents.

At XO, we believe that a good design is something everyone can afford

WORLD CLASS SERVICE | COMPREHENSIVE WARRANTIES

OUR LASTING COMMITMENT TO YOU



FEATURES

SPECIFICATIONS

FINISH

Stainless Steel

STYLES



Also available in:

- Outdoor
- Panel Ready

FEATURES

- Precise Temperature From 34° F To 50° F
- Bottom Drawer Holds Bottles Up To 12 1/8" Tall
- Easy Operating, Soft Close Drawers
- 5.2 Cu. Ft. Capacity Stores 132 - 12-Oz Cans
- Adjustable Divider Included In Top Drawer
- Rated For Indoor Use
- X-Active Circulation Removes Odors, Circulates Air
- Thermal-Efficient Cabinet
- Quiet 39dBA Operation
- Elegant Tri-Color Illumination
- Energy Star Certified
- 2 Handle Styles Included
- Secure Safety Lock
- Stainless Steel Toe Kick

ELECTRICAL 115V / 60 Hz / 15A

DIMENSIONS

23-13/16" W x 21-13/16" D x 34-1/8" H

SHIPPING WEIGHT 160LBS

CORD LENGTH 6FT

CONTROL TYPE Electronic

12-OZ CANS 132

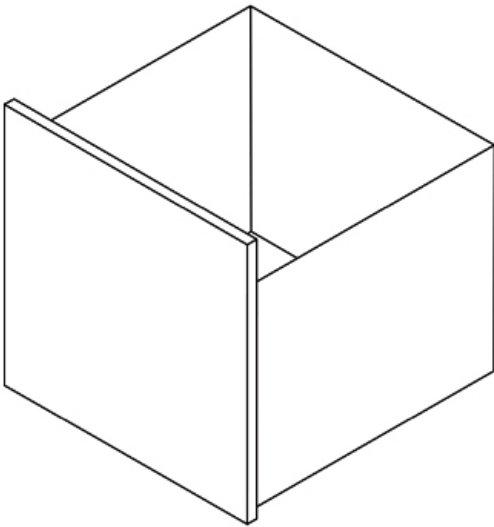
CAPACITY 5.2 (cu ft)



Two Different Style Handles Included



HOW MUCH USABLE SPACE IS THERE IN MY XOU24RD_ Refrigerated Drawer Unit



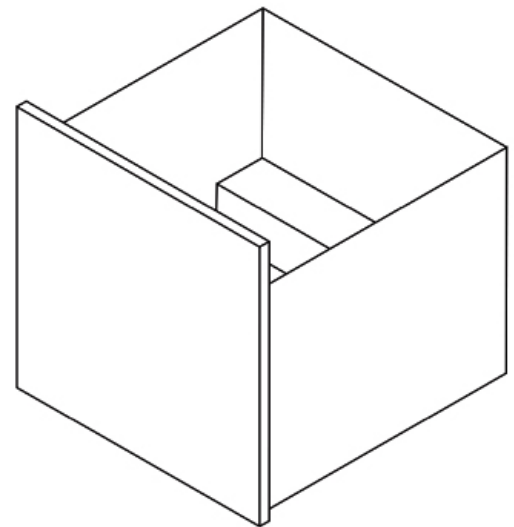
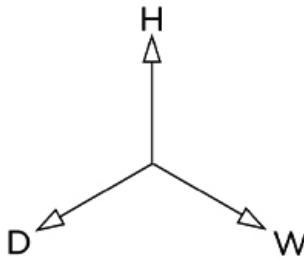
UPPER DRAWER
INTERIOR

H 10 1/2"

W 17 3/4"

D 14 7/8"

Height (H)
is the how tall a bottle
the drawer section will
accommodate



LOWER DRAWER
INTERIOR

H 12 3/16"

H 7 5/8"

W 17 3/4"

W 17 3/4"

D 11 3/16"

D 3 7/16"

FRONT SECTION

REAR SHELF